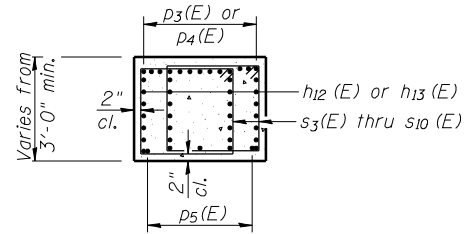
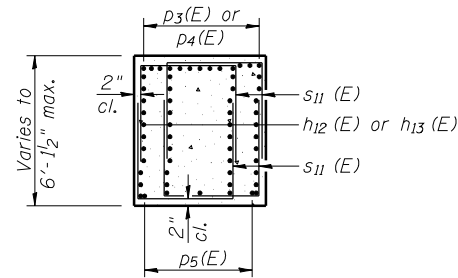


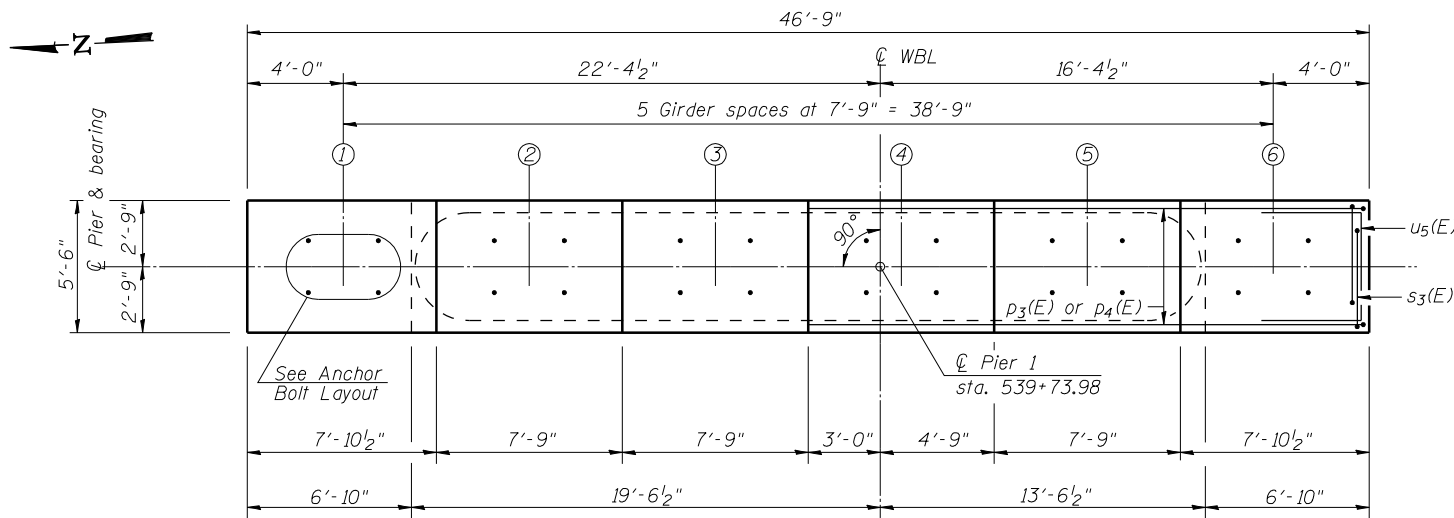
Notes:  
 Space reinforcement in cap to miss anchor bolts.  
 Pour steps monolithically with cap.  
 For details of piles, see sheet 106 of 113.



SECTION A-A



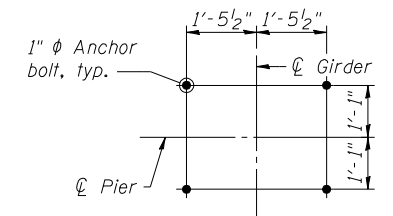
SECTION B-B



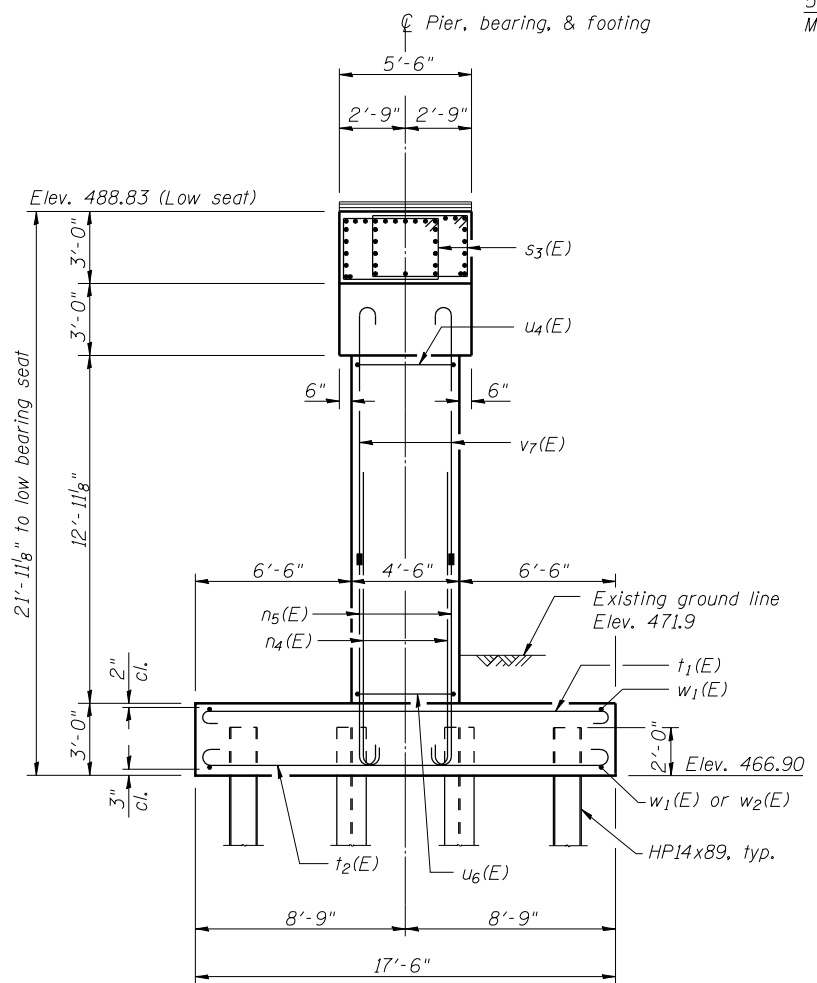
TOP PLAN

MINIMUM BAR LAP

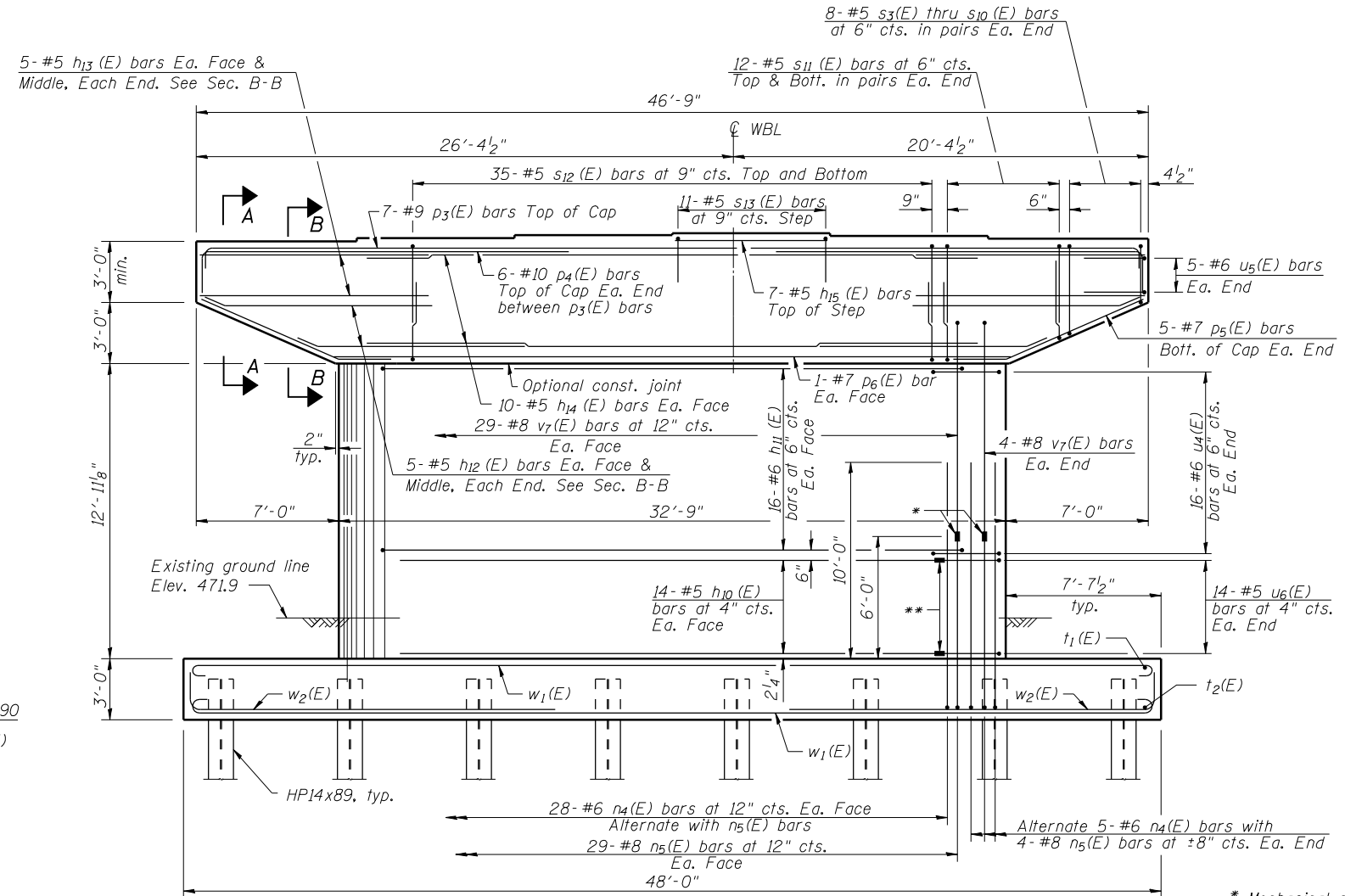
(Pier)  
 #5 bar = 3'-3"



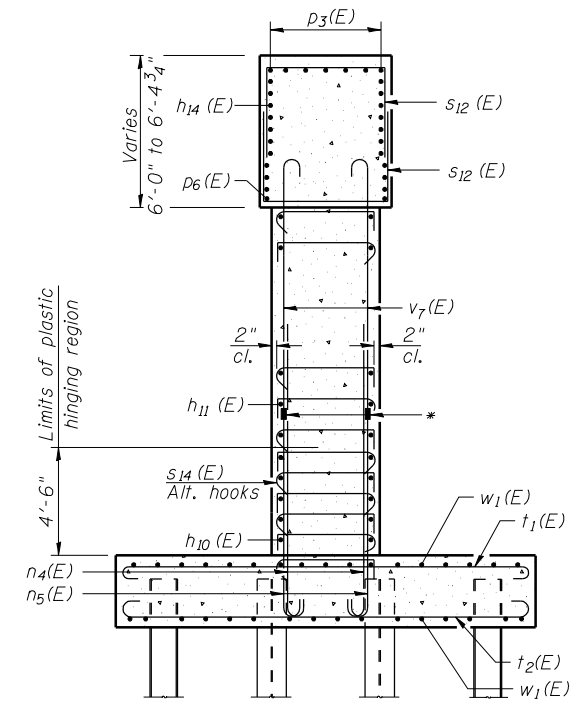
ANCHOR BOLT LAYOUT



END VIEW



ELEVATION  
 (Looking East)



SECTION THRU PIER

\* Mechanical splice on vertical bars.  
 \*\* Mechanical splice or shop welded splice per AWS D1.4 on horizontal bars.



USER NAME = has	DESIGNED - RDP	08/13	REVISED -
ESCA PROJECT NO. 1070.09	CHECKED - MTD	08/13	REVISED -
PLOT DATE = 1/28/2014	DRAWN - DWH/JPC	08/13	REVISED -
2:16:54 PM	CHECKED - ELH	01/14	REVISED -

STATE OF ILLINOIS  
 DEPARTMENT OF TRANSPORTATION

PIER 1 - WB  
 STRUCTURE NO. 026-0106

SHEET NO. 85 OF 113 SHEETS

F.A.I. RTE.	SECTION	COUNTY	TOTAL SHEETS	SHEET NO.
70	(26-3B-1, 3B-1(3))BR	FAYETTE	277	165
CONTRACT NO. 74175			ILLINOIS FED. AID PROJECT	