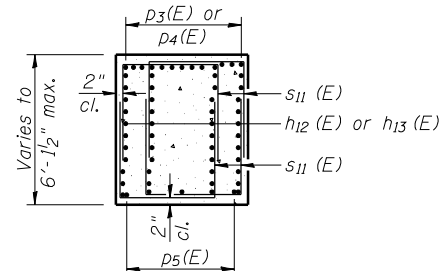
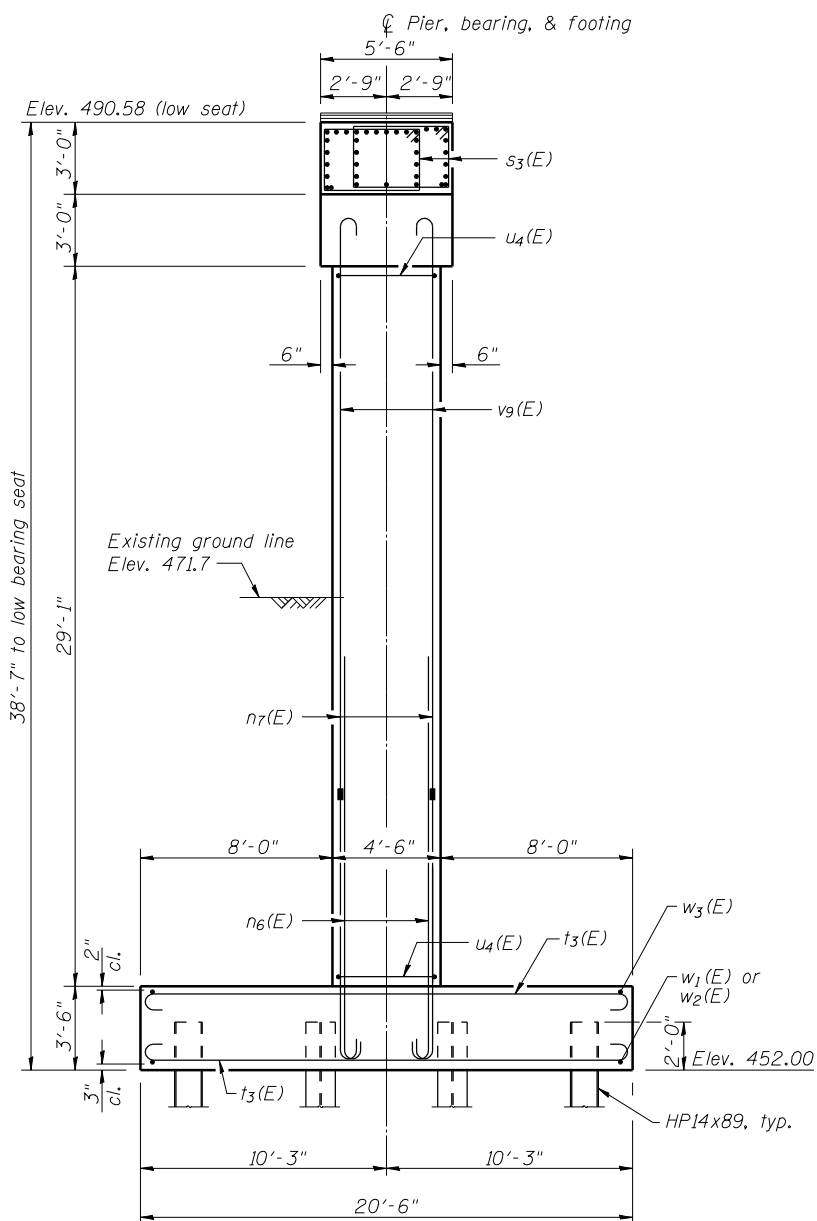


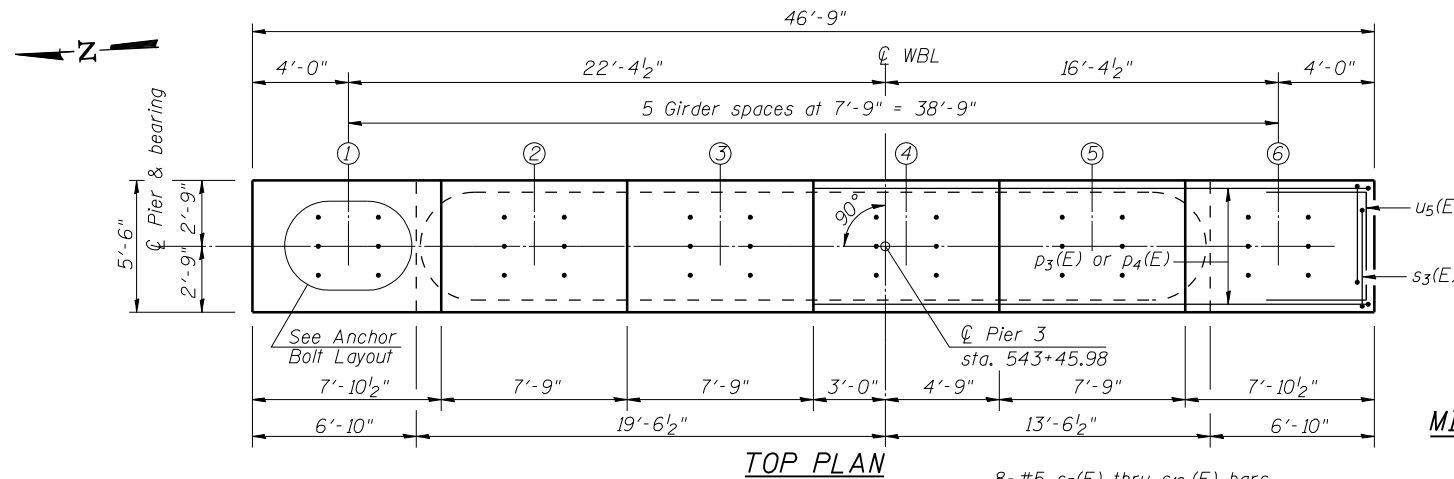
SECTION A-A



SECTION B-B



END VIEW

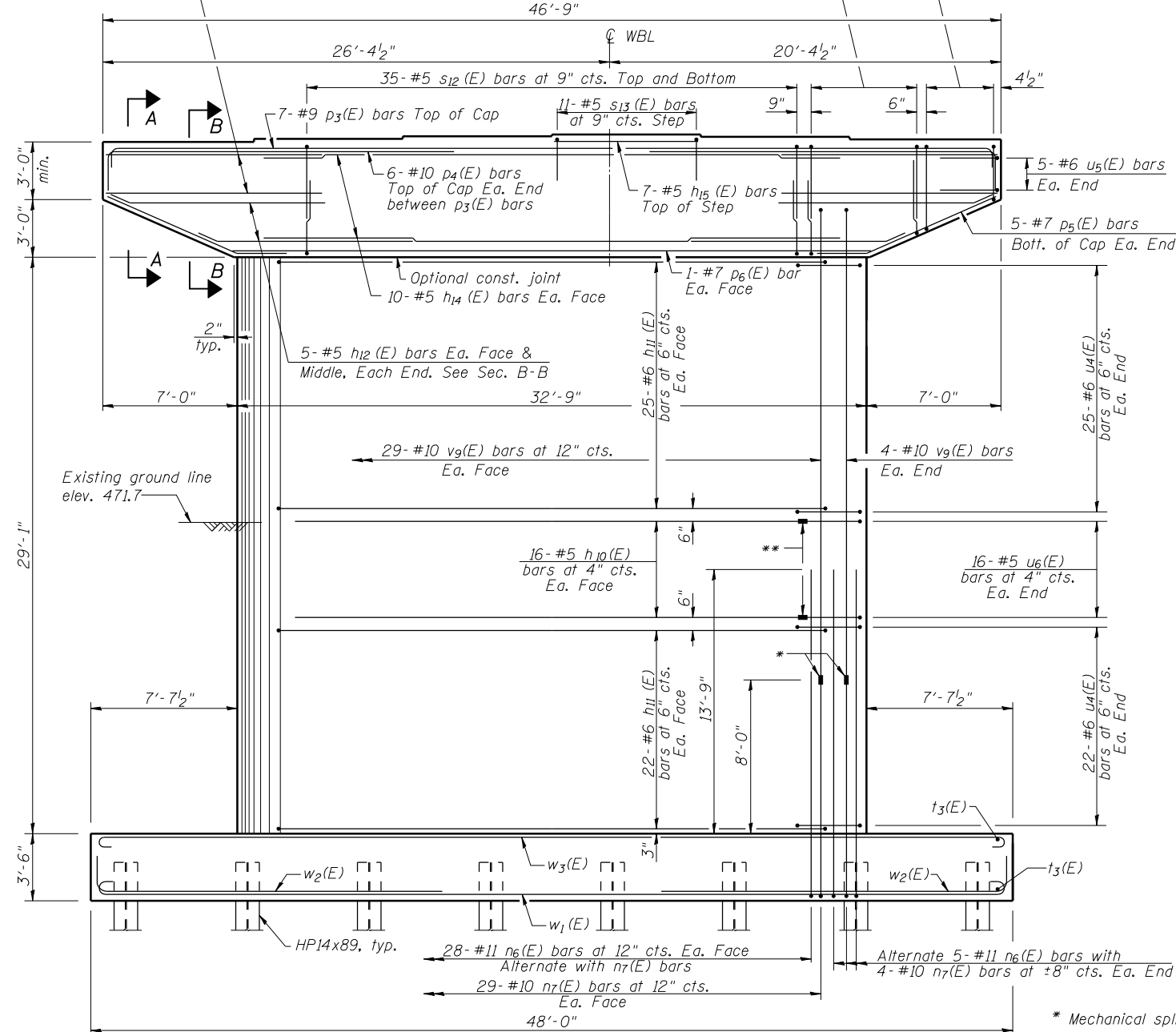


TOP PLAN

5- #5 h13(E) bars Ea. Face & Middle, Each End. See Sec. B-B

8- #5 s3(E) thru s10(E) bars at 6" cts. in pairs Ea. End

12- #5 s11(E) bars at 6" cts. Top & Bott. in pairs Ea. End

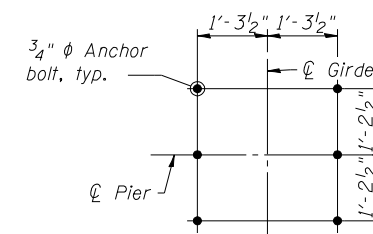


ELEVATION

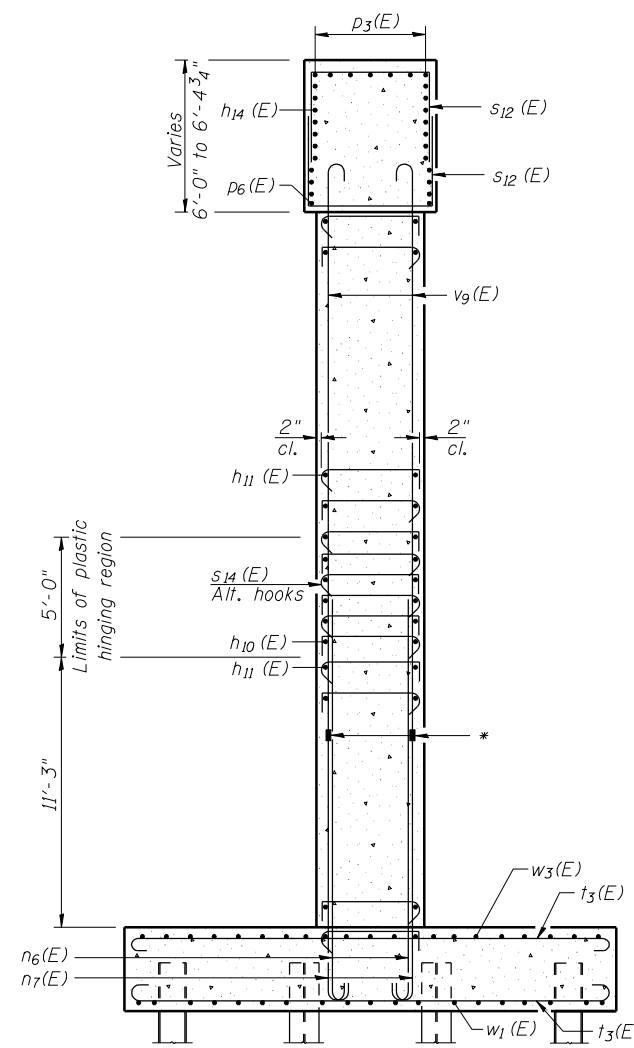
(Looking East)

MINIMUM BAR LAP (Pier)
#5 bar = 3'-3"

Notes:
Space reinforcement in cap to miss anchor bolts.
Pour steps monolithically with cap.
For details of piles, see sheet 106 of 113.



ANCHOR BOLT LAYOUT



SECTION THRU PIER

* Mechanical splice on vertical bars.
** Mechanical splice or shop welded splice per AWS D1.4 on horizontal bars.



USER NAME = has	DESIGNED - RDP	08/13	REVISED -
ESCA PROJECT NO. 1070.09	CHECKED - MTD	08/13	REVISED -
	DRAWN - DWH	08/13	REVISED -
PLOT DATE = 1/28/2014 2:20:21 PM	CHECKED - ELH	01/14	REVISED -

STATE OF ILLINOIS
DEPARTMENT OF TRANSPORTATION

PIER 3 - WB
STRUCTURE NO. 026-0106

SHEET NO. 89 OF 113 SHEETS

F.A.I. RTE.	SECTION	COUNTY	TOTAL SHEETS	SHEET NO.
70	(26-3B-1, 3B-1(3))BR	FAYETTE	277	169
CONTRACT NO. 74175			ILLINOIS FED. AID PROJECT	