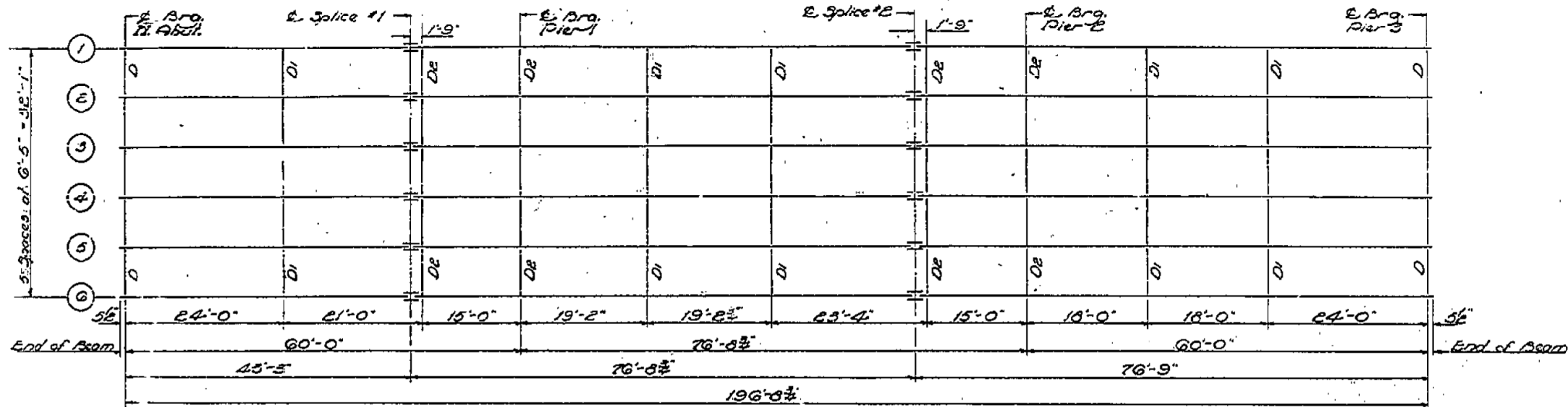
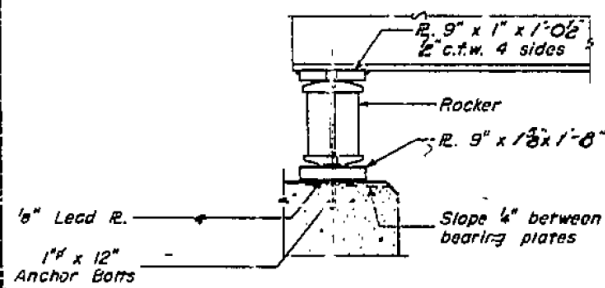


STATE OF ILLINOIS
DEPARTMENT OF PUBLIC WORKS & BUILDINGS
DIVISION OF HIGHWAYS

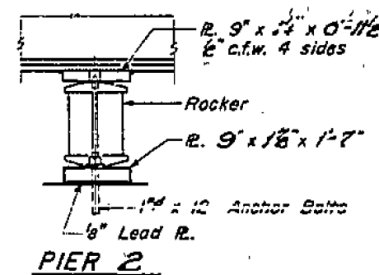
ROUTE NO.	SHEET	COUNTY	TOTAL SHEETS	SHEET NO.
70	26-3B-1(2)	FAYETTE	36	7
30 SHEETS				



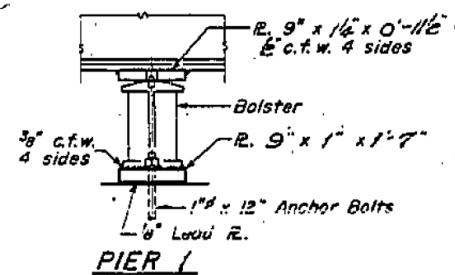
FRAMING PLAN
All Beams 33" x 14"



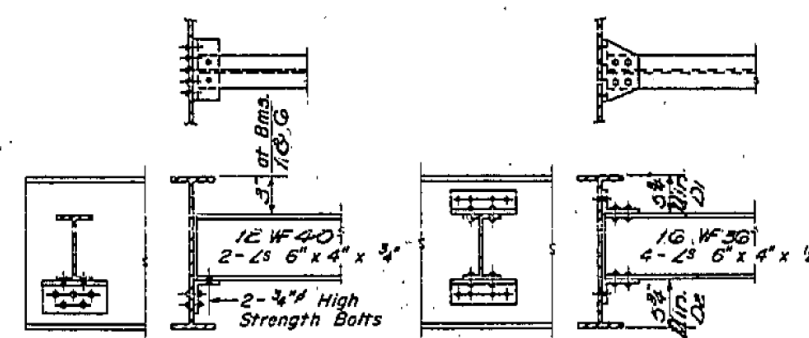
SECTION AT ABUTMENT & PIER 3



PIER 2



PIER 1



DIAPHRAGM D
10 Required

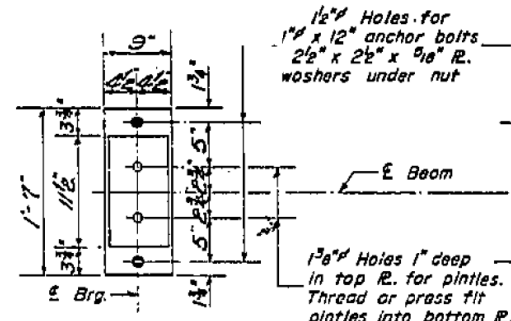
DIAPHRAGM D1 & D2
Required 25-D1, 20-D2

Location	Span 1 & 3	Span 2	Span 3 & 4
E. Brg. Abut.	496.43	496.51	496.63
E. Splice #1	496.49	496.60	496.69
E. Brg. Pier 1	496.54	496.67	496.74
E. Splice #2	496.70	496.83	496.90
E. Brg. Pier 2	496.76	496.89	496.96
E. Brg. Pier 3	496.96	497.09	497.16

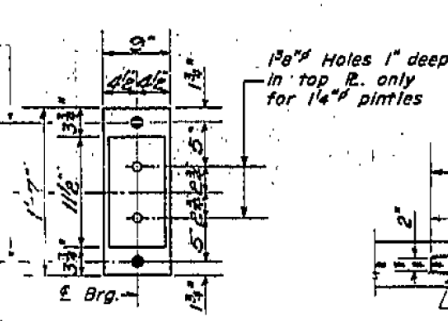
ELEVATION TOP OF WF



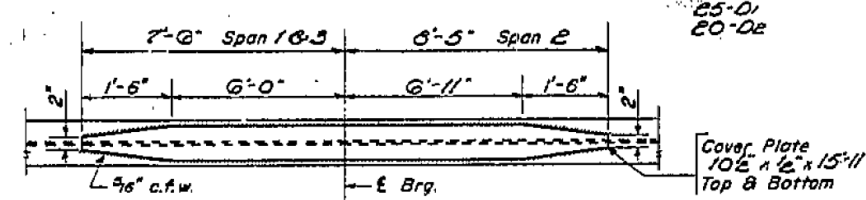
PLAN



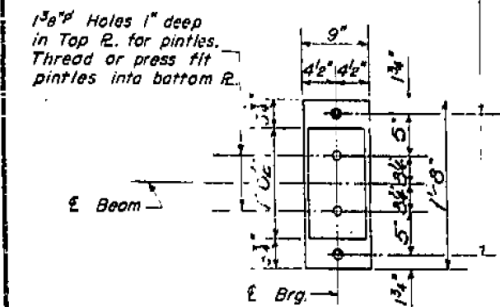
PLAN



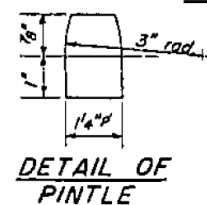
PLAN



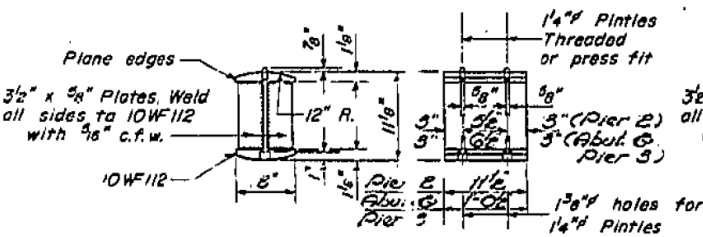
DETAIL OF COVER PLATE



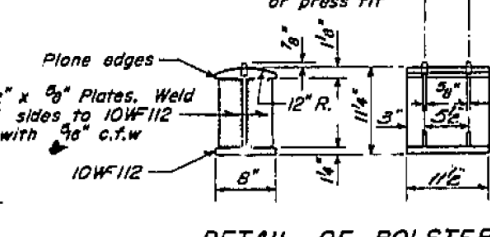
PLAN



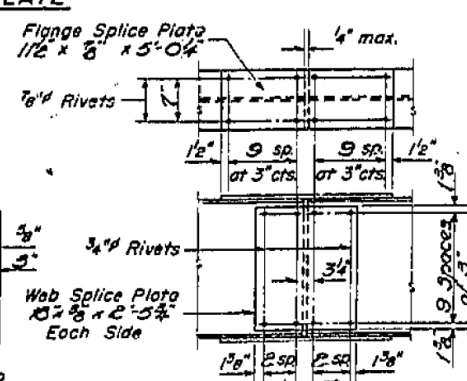
DETAIL OF PINTLE



DETAIL OF ROCKER AT ABUT. & PIERS 2 & 3



DETAIL OF BOLSTER AT PIER 1



DETAIL OF SPLICE

DESIGNED BY: P. Taylor	DATE: JUNE 6 1963
CHECKED BY: R. H. Robinson	EXAMINED BY: W. C. Baumgardner
DRAWN BY: W. A. Sausman Jr.	PASSED BY: [Signature]
CHECKED BY: [Signature]	APPROVED BY: U. E. [Signature]

I-2-C 7-2-62 Rev. 11-9-62

**STRUCTURAL STEEL
BEAM SPANS 1 & 3
F.A.I. RT. 70 - SEC. 26-3B-1(2)
FAYETTE COUNTY
STATION 544+27**

PRINTED BY: ESCA CONSULTANTS, INC.



USER NAME: has	DESIGNED: ELH	REVISED:
ESCA PROJECT NO. 1000.05	DRAWN: HAS	REVISED:
PLOT SCALE: 0.1667 / IN.	CHECKED: RDP	REVISED:
PLOT DATE: 1/29/2014 2:07:11 PM	DATE: 08/13	REVISED:

STATE OF ILLINOIS
DEPARTMENT OF TRANSPORTATION

STRUCTURE NO. 026-0018 EXISTING BRIDGE PLANS
WB - FOR INFORMATION ONLY

SCALE: SHEET NO. 3 OF 28 SHEETS STA. TO STA.

F.A.I. RTE.	SECTION	COUNTY	TOTAL SHEETS	SHEET NO.
70	(26-3B-1, 3B-1(3))BR	FAYETTE	277	196
CONTRACT NO. 74175				
FED. ROAD DIST. NO. ILLINOIS FED. AID PROJECT				