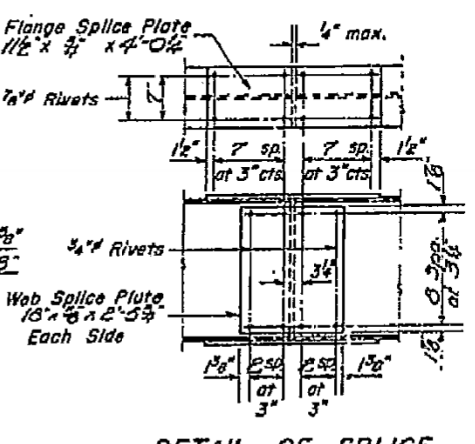
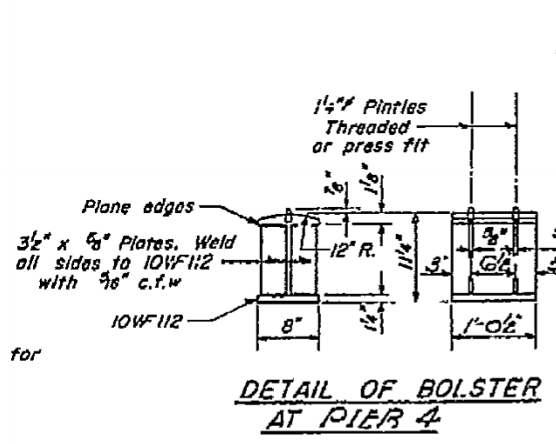
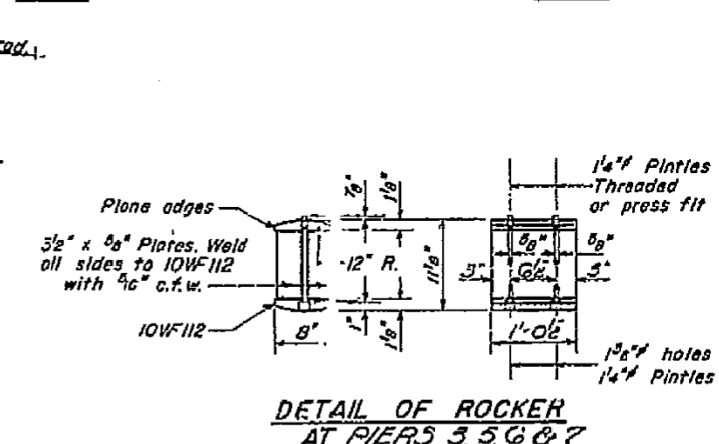
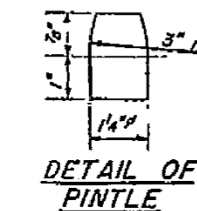
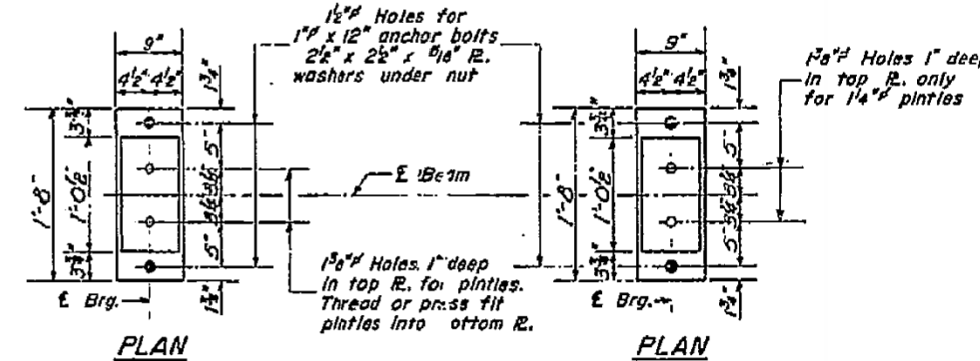
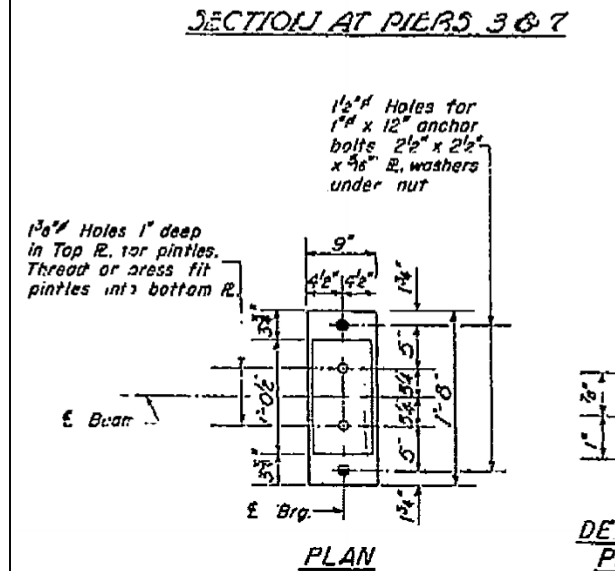


**ELEVATION TOP OF WF**

Location	2ms. 1-2 G	3ms. 2-3	4ms. 3-4
E. Brg. Pier 3	496.53	497.09	497.10
E. Splice 3	496.93	497.11	497.18
E. Brg. Pier 4	497.00	497.15	497.20
E. Splice 4	497.08	497.21	497.28
E. Brg. Pier 5	497.10	497.23	497.30
E. Splice 5	497.16	497.29	497.36
E. Brg. Pier 6	497.17	497.31	497.38
E. Brg. Pier 7	497.21	497.41	497.48



DESIGNED: *J.K. Taylor*  
CHECKED: *C.H. Hayden*  
DRAWN: *R.X. Jacobs*  
CHECKED: *C.H. Hayden*

EXAMINED: *H.C. Baumann*  
PASSED: *[Signature]*  
APPROVED: *[Signature]*

JUNE 6 1963

**STRUCTURAL STEEL**  
**BEAM SPALLS 45G & 7**  
**FA 187-70-36C.26-3B-1(2)**  
**FAYETTE COUNTY**  
**STA. 544+27**

T-2 7-2-62 Rev. 11-9-62



USER NAME = has	DESIGNED - ELH	REVISED -
ESCA PROJECT NO. 1000.05	DRAWN - HAS	REVISED -
PLOT SCALE = 0.1667' / IN.	CHECKED - RDP	REVISED -
PLOT DATE = 1/29/2014 2:07:27 PM	DATE - 08/13	REVISED -

**STATE OF ILLINOIS**  
**DEPARTMENT OF TRANSPORTATION**

**STRUCTURE NO. 026-0018 EXISTING BRIDGE PLANS**  
**WB - FOR INFORMATION ONLY**

SCALE: SHEET NO. 5 OF 28 SHEETS STA. TO STA.

F.A.I. RTE. 70	SECTION (26-3B-1, 3B-1(3))BR	COUNTY FAYETTE	TOTAL SHEETS 277	SHEET NO. 198
CONTRACT NO. 74175			FED. ROAD DIST. NO. ILLINOIS FED. AID PROJECT	