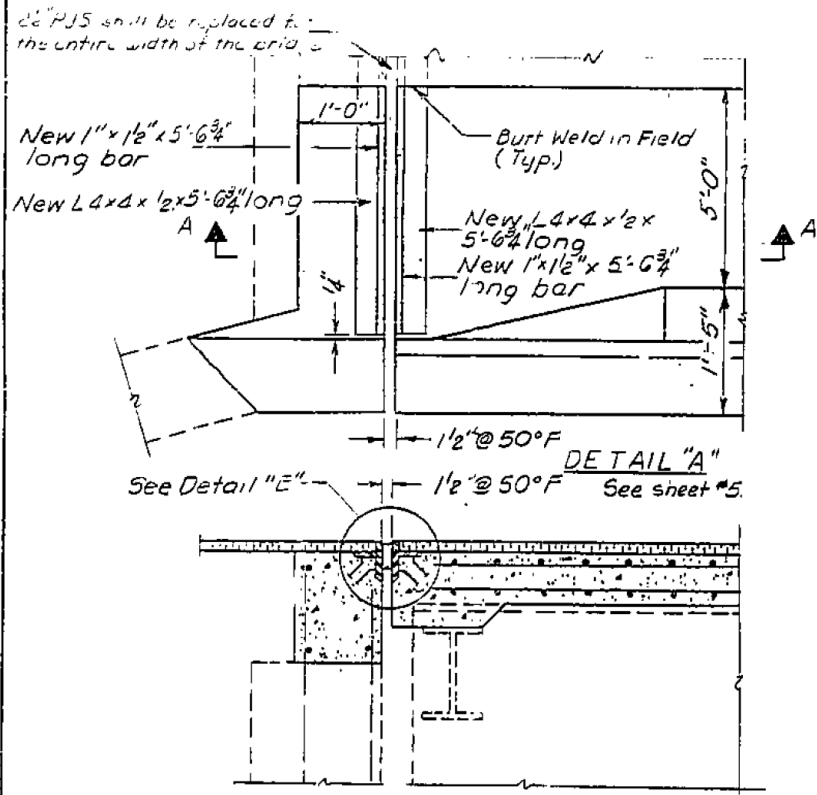
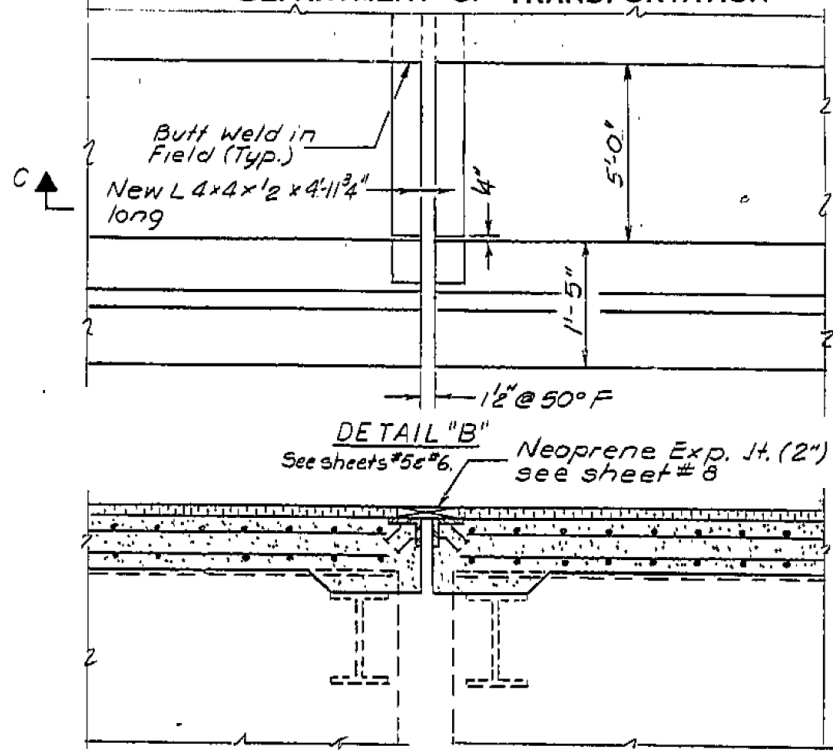


STATE OF ILLINOIS  
DEPARTMENT OF TRANSPORTATION

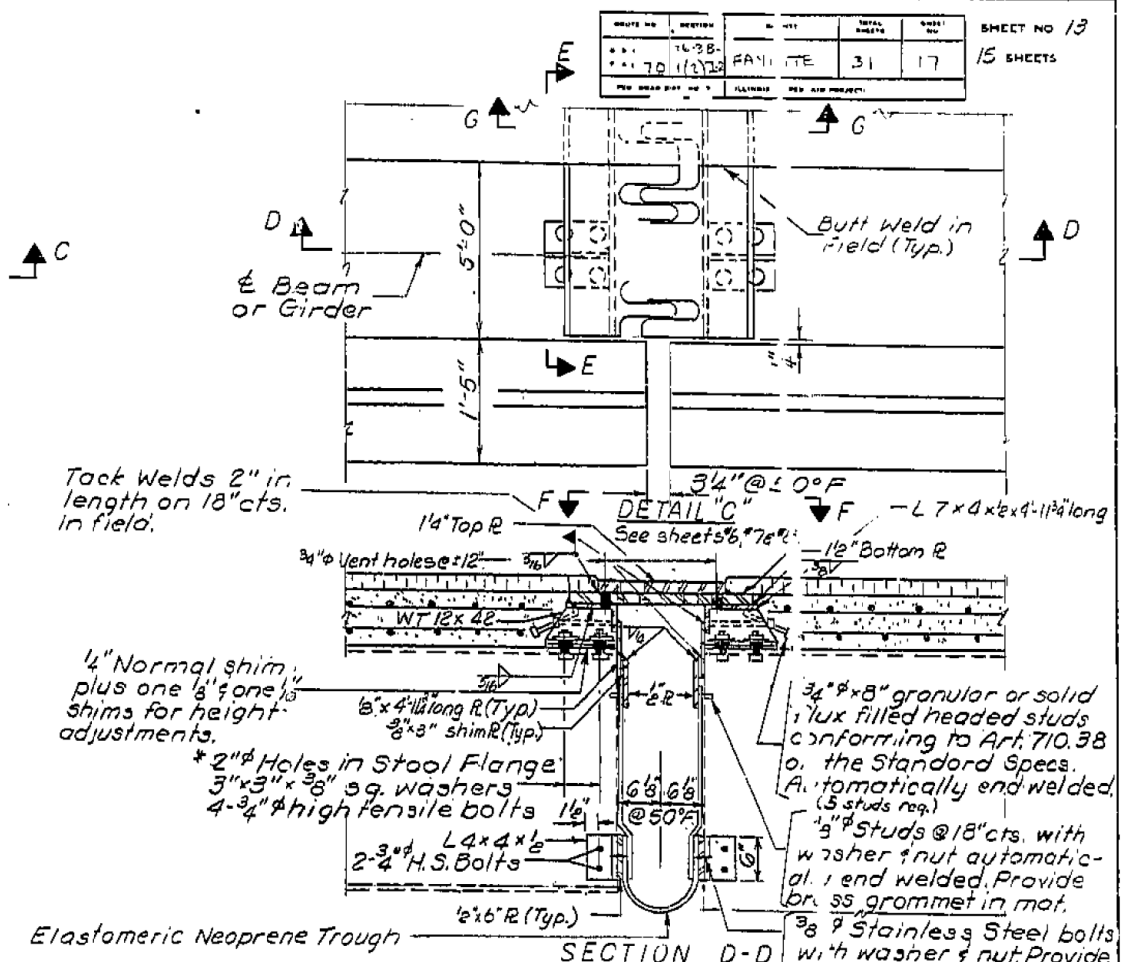
PROJECT NO.	SECTION	SHEET NO.	TOTAL SHEETS
70-112738	FAYETTE	31	17
SHEET NO. 13		15 SHEETS	



SECTION A-A



SECTION C-C

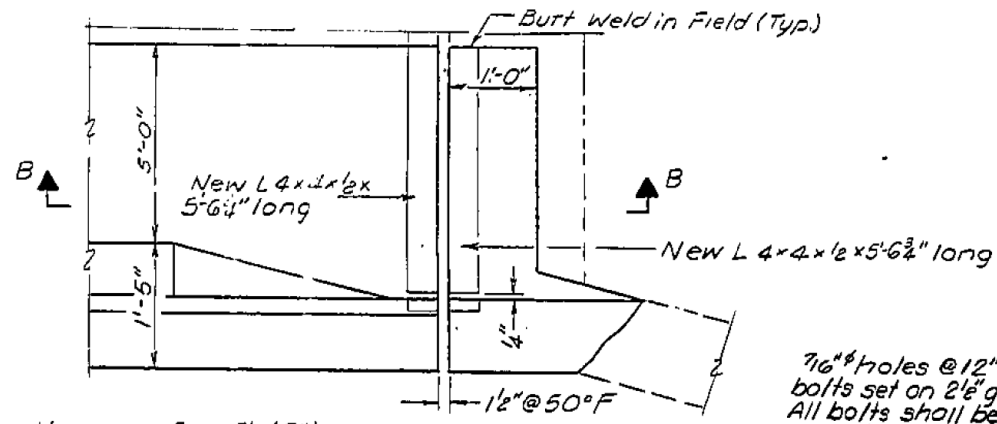


SECTION D-D

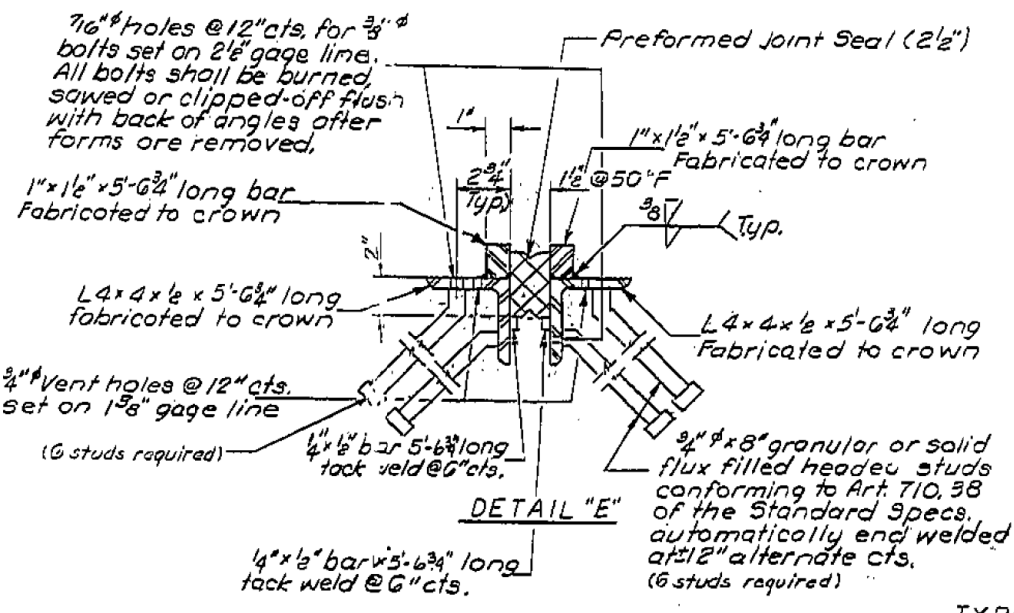
Note:  
Clean existing reinforcement bars and incorporate into new concrete.

Elastomeric Neoprene Trough  
Shop drill holes in WT 12x42 in the shims. Field drill holes in existing girders.

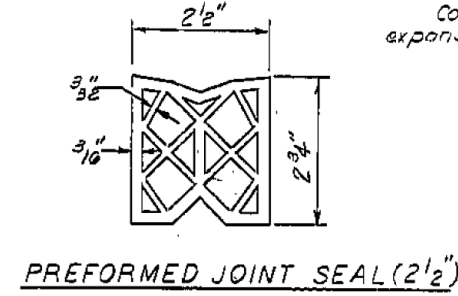
Note:  
Cost of field drilling holes in existing structural steel is incidental to the payment for Structural Steel.  
Cost of cutting and removing part of the existing expansion devices is incidental to concrete removal.



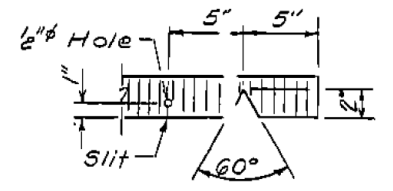
SECTION B-B



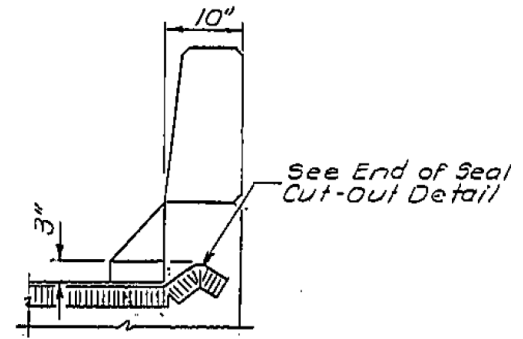
DETAIL 'E'



PREFORMED JOINT SEAL (2 1/2")



SEAL CUT-OUT



TYPICAL END OF SEAL TREATMENT

DESIGNED David Burdick	APRIL 2 1986
CHECKED [Signature]	EXAMINED [Signature]
DRAWN mercado	PASSED [Signature]
CHECKED D.B. L.K.	APPROVED [Signature]

EXPANSION JOINT DETAILS  
FAYETTE COUNTY  
STA. 544+27.00  
Rev. 7/2/86 F.M.  
Rev. 4/20/87 F.M.



USER NAME = has	DESIGNED - ELH	REVISED -
ESCA PROJECT NO. 1000.05	DRAWN - HAS	REVISED -
PLOT SCALE = 0.1667 / IN.	CHECKED - RDP	REVISED -
PLOT DATE = 1/29/2014	DATE - 08/13	REVISED -

STATE OF ILLINOIS  
DEPARTMENT OF TRANSPORTATION

STRUCTURE NO. 026-0018 EXISTING BRIDGE PLANS  
WB - FOR INFORMATION ONLY

SCALE: SHEET NO. 26 OF 28 SHEETS STA. TO STA.

F.A.I. RTE.	SECTION	COUNTY	TOTAL SHEETS	SHEET NO.
70	(26-3B-1, 3B-1(3))BR	FAYETTE	277	219
CONTRACT NO. 74175				
FED. ROAD DIST. NO. ILLINOIS FED. AID PROJECT				