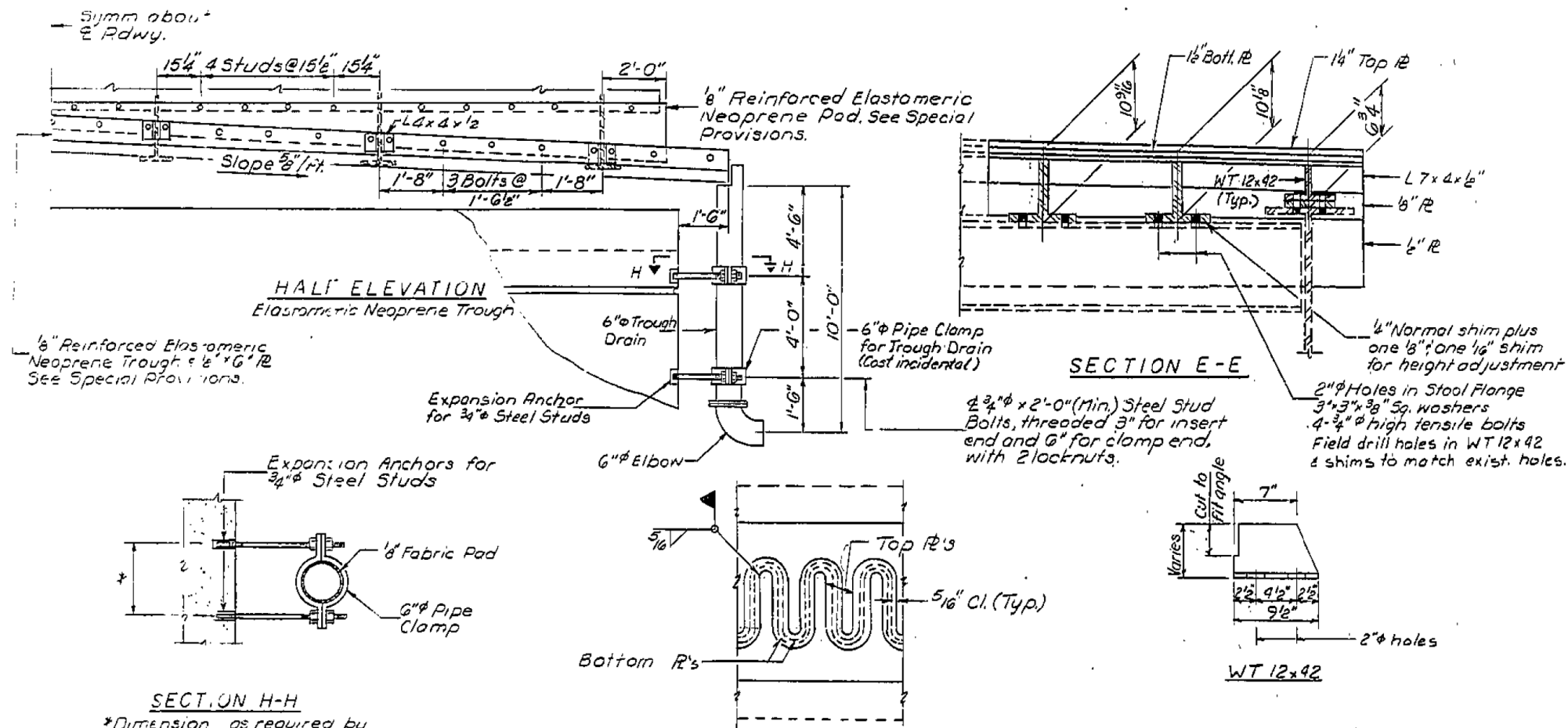
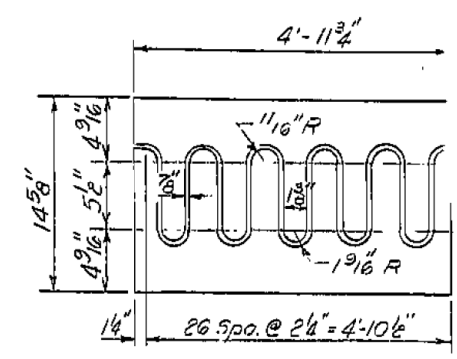


STATE OF ILLINOIS
DEPARTMENT OF TRANSPORTATION

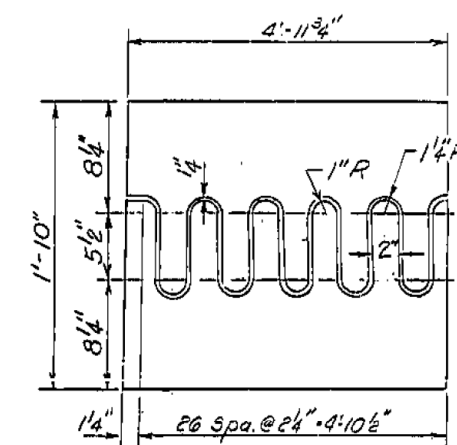
DATE	26-3B-1	SHEET	31	18	SHEET NO. 14
PROJECT	FAYETTE	TOTAL SHEETS	31	18	15 SHEETS



Cost of field drilling holes in existing structural steel and new structural steel is incidental to the part item of "Structural Steel."

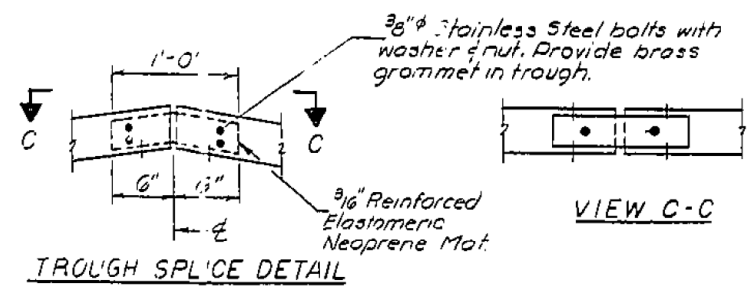


FLAME CUT TOP PLATE DETAIL

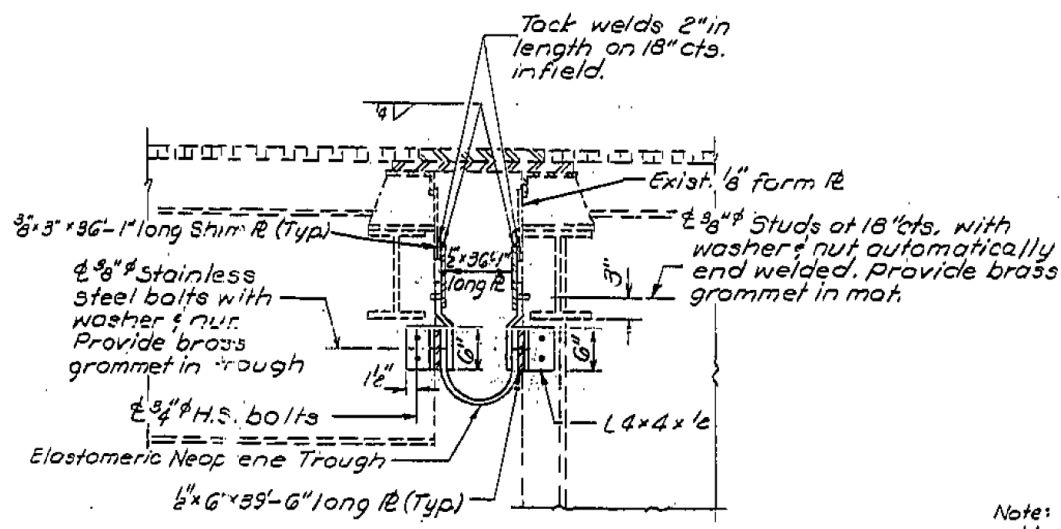


FLAME CUT BOTTOM PLATE DETAIL

Note:
Fiberglass pipe for trough drain shall conform to ASTM D2996, with short time rupture stress with hoop tensile stress of 30,000 p.s.i. minimum.
The exterior surface of the Trough Drains shall be painted with the final coat of paint system specified for Structural Steel.
Cost of the Trough Drains shall be incidental to Reinforced Neoprene Expansion Joint Treatment.
Drilling holes in existing Structural Steel is incidental.



TROUGH SPLICE DETAIL



SECTION G-G

Note:
Work this sheet with Detail C' on sheet #13.

FINGER PLATE DETAILS

F.A.I.R.T.E. 70 SEC. 26-3B-1(2)1

FAYETTE COUNTY

STA. 544+2.00

Rev. 7/2/86 F.M.

DESIGNED	David Budnick	EXAMINED	April 2 1986
CHECKED	James J. Lopez	PASSED	James J. Lopez
DRAWN	mercado	APPROVED	James J. Lopez
CHECKED	D.B. L.K.		



USER NAME	has	DESIGNED	ELH	REVISED	
ESCA PROJECT NO.	1000.05	DRAWN	HAS	REVISED	
PLOT SCALE	0.1667 / IN.	CHECKED	ROP	REVISED	
PLOT DATE	1/29/2014	DATE	08/13	REVISED	

STATE OF ILLINOIS
DEPARTMENT OF TRANSPORTATION

STRUCTURE NO. 026-0018 EXISTING BRIDGE PLANS
WB - FOR INFORMATION ONLY

SCALE: SHEET NO. 27 OF 28 SHEETS STA. TO STA.

F.A.I.R.T.E.	SECTION	COUNTY	TOTAL SHEETS	SHEET NO.
70	(26-3B-1, 3B-1(3))BR	FAYETTE	277	220
CONTRACT NO. 74175				
FED. ROAD DIST. NO. ILLINOIS FED. AID PROJECT				