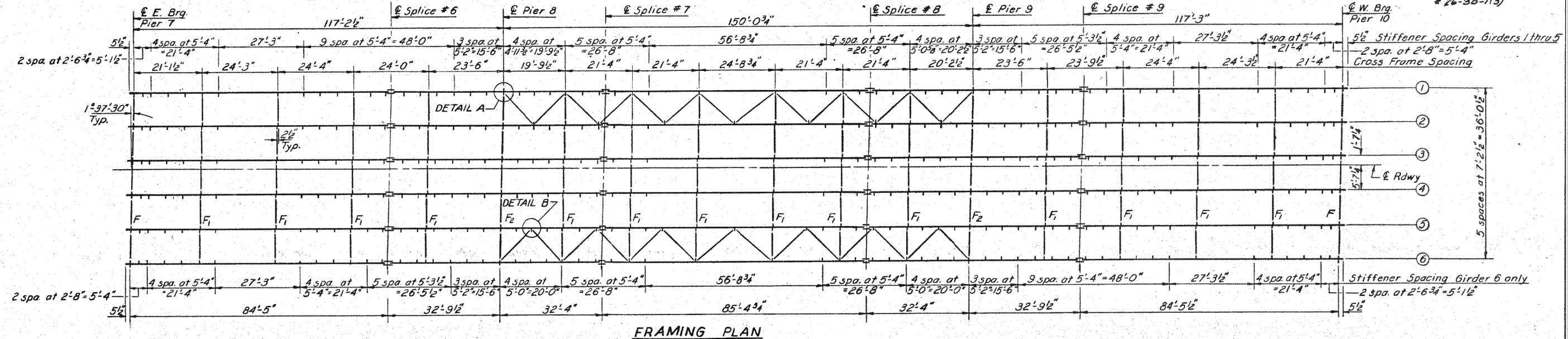
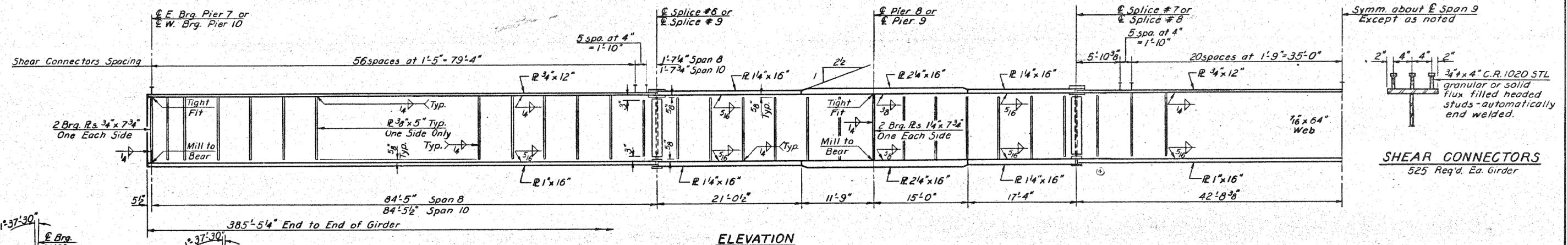


STATE OF ILLINOIS
DEPARTMENT OF TRANSPORTATION

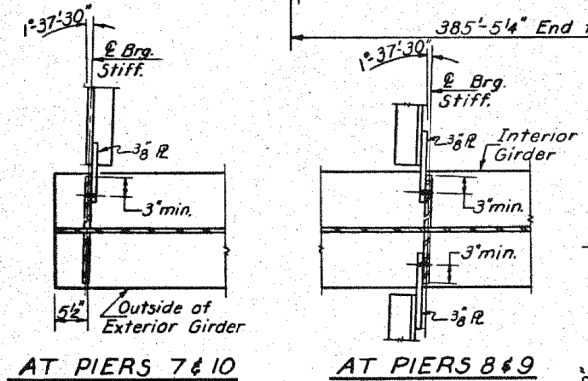
SECTION	COUNTY	TOTAL SHEETS	SHEET NO.	SHEET NO.
# FAYETTE	60	30	29	29 SHEETS



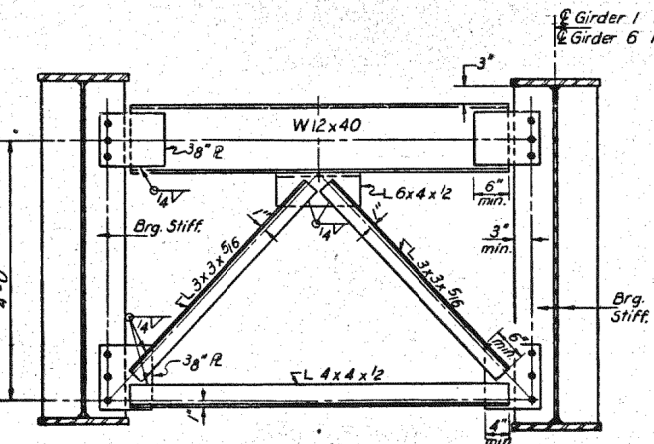
FRAMING PLAN



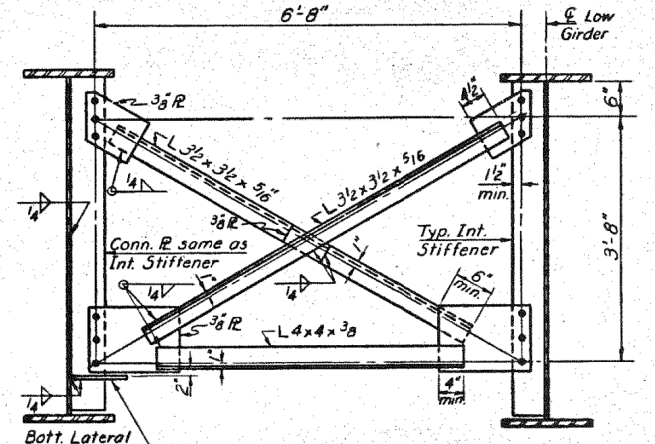
ELEVATION



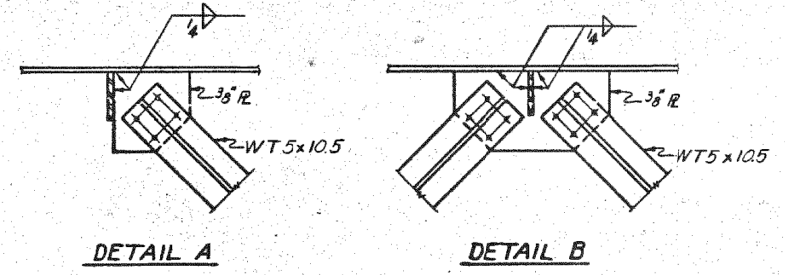
CROSS FRAME CONNECTION DETAILS



CROSS FRAME F
(10 Req'd.)



CROSS FRAME F1 & F2
(F1 70 Req'd.)
(F2 10 Req'd.)



DETAIL A

DETAIL B

Notes:
Use intermediate stiffeners on only one side of web as indicated on Framing Plan.
Do not weld first stiffener each side of field splice to flange.

SHEAR CONNECTORS
525 Req'd. Ea. Girder

STRUCTURAL STEEL
SPANS 8, 9, & 10
F.A.I. RT.70 SEC.26-3B-1(3)E.B.L.
FAYETTE COUNTY
STATION 543A + 92.91

DESIGNED	R.K. Mathur
CHECKED	James Ponce
DRAWN	R.P. Summer
CHECKED	JP

July 20 1972
EXAMINED
PASSED
Richard H. Halterman
CHIEF HIGHWAY ENGINEER



USER NAME = has	DESIGNED - ELH	REVISED -
ESCA PROJECT NO. 1000.05	DRAWN - HAS	REVISED -
PLOT SCALE = 0.1667' / IN.	CHECKED - RDP	REVISED -
PLOT DATE = 1/29/2014	DATE - 08/13	REVISED -

STATE OF ILLINOIS
DEPARTMENT OF TRANSPORTATION

STRUCTURE NO. 026-0085 EXISTING BRIDGE PLANS
EB - FOR INFORMATION ONLY

SCALE: SHEET NO. 12 OF 23 SHEETS STA. TO STA.

F.A.I. RT. 70	SECTION (26-3B-1, 3B-1(3))BR	COUNTY FAYETTE	TOTAL SHEETS 277	SHEET NO. 233
CONTRACT NO. 74175			FED. ROAD DIST. NO. ILLINOIS FED. AID PROJECT	