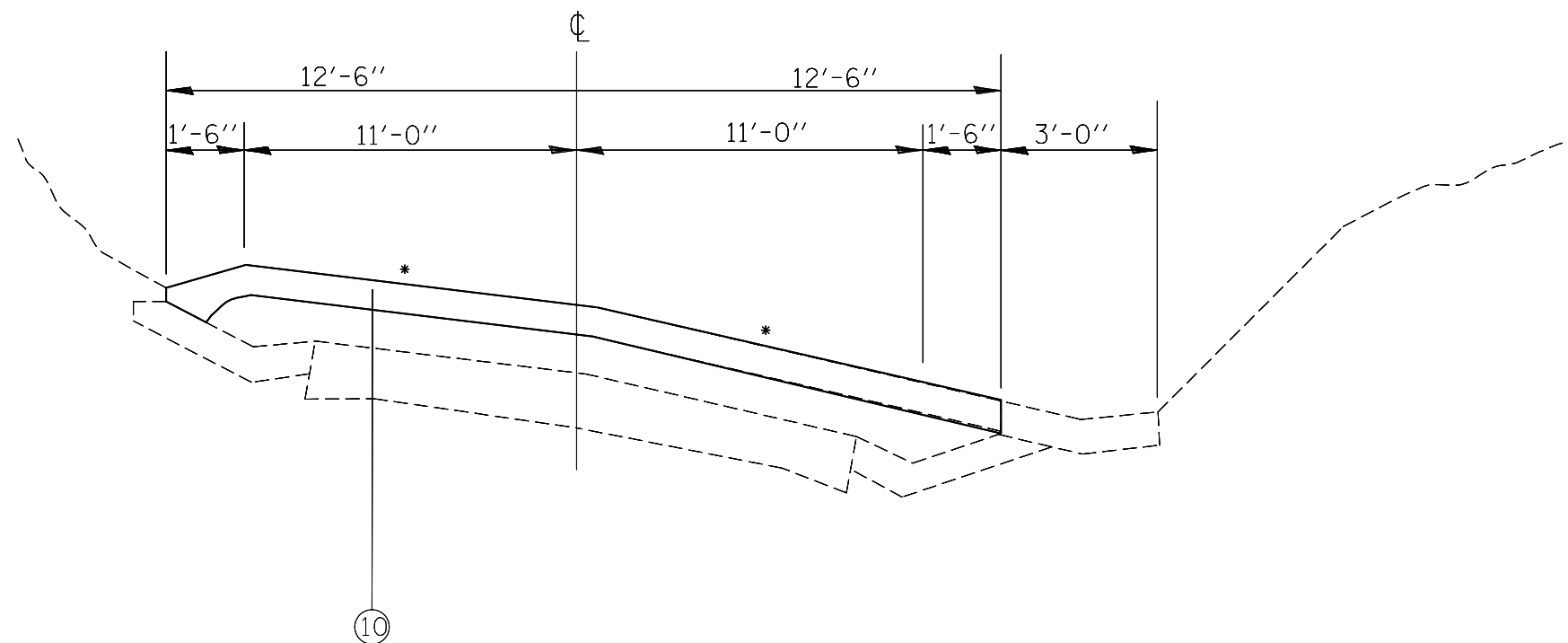


MILE 0.000 TO MILE 0.012
 MILE 0.492 TO MILE 0.630
 MILE 0.730 TO MILE 0.797

- ① EXIST. PCC PAVEMENT 9-6-9
- ② EXIST. PCC WIDENING, 9"
- ③ EXIST. HMA OVERLAY, VAR. 4 1/4" TO 5 3/4"
- ④ EXIST. LEVELING BINDER, VAR. 0" TO 3 1/4"
- ⑤ EXIST. HMA RESURFACING, 2 1/4"
- ⑥ EXIST. HMA SHOULDERS, 6"
- ⑦ EXIST. AGG. SHOULDERS, TYPE B, VAR. 2 1/4" TO 0"
- ⑧ EXIST. CONCRETE GUTTER
- ⑨ EXIST. CONCRETE GUTTER, TYPE A
- ⑩ PROP. HMA SURFACE COURSE, MIX D, N70, 2 1/4"
- ⑪ PROP. AGG. WEDGE SHOULDER, TYPE B, 3/4"
- ⑫ PROP. CONCRETE GUTTER, TYPE A
- ⑬ PROP. CONCRETE GUTTER, TYPE B



MILE 0.012 TO MILE 0.176

*SLOPE VARIES

FILE NAME =	USER NAME = conoverpj	DESIGNED -	REVISED -	STATE OF ILLINOIS DEPARTMENT OF TRANSPORTATION	PROPOSED TYPICAL SECTIONS			F.A.S. RTE.	SECTION	COUNTY	TOTAL SHEETS	SHEET NO.
et:\pwork\pwork\conoverpj\d0351353\d876g59-shr-plan.dgn	PLOT SCALE = 100.0000' / in.	DRAWN -	REVISED -					747	59RS-3	JERSEY	19	8
	PLOT DATE = 1/28/2014	CHECKED -	REVISED -		SCALE: SHEET NO. 1 OF 4 SHEETS STA. TO STA.			CONTRACT NO. 76059				
		DATE -	REVISED -		FED. ROAD DIST. NO.		ILLINOIS FED. AID PROJECT					