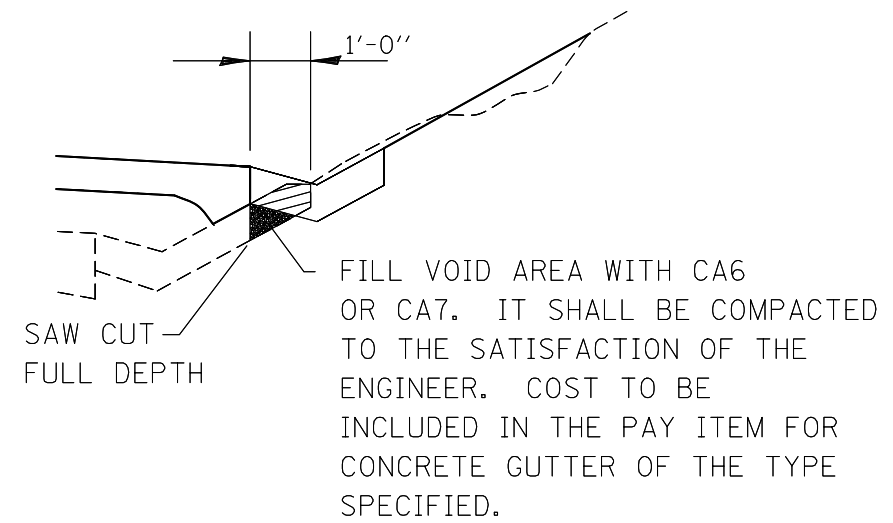


BEGINNING AND END OF PROJECT



FILE NAME =	USER NAME = conoverpj	DESIGNED -	REVISED -
e:\pwork\pwork\conoverpj\d0351353\d876g59-shr-plan.dgn		DRAWN -	REVISED -
	PLOT SCALE = 100.0000' / 1in.	CHECKED -	REVISED -
	PLOT DATE = 1/28/2014	DATE -	REVISED -

STATE OF ILLINOIS
DEPARTMENT OF TRANSPORTATION

PLAN DETAILS

SCALE: SHEET NO. 1 OF 1 SHEETS STA. TO STA.

F.A.S. RTE.	SECTION	COUNTY	TOTAL SHEETS	SHEET NO.
747	59RS-3	JERSEY	19	18
FED. ROAD DIST. NO. ILLINOIS FED. AID PROJECT			CONTRACT NO. 76G59	