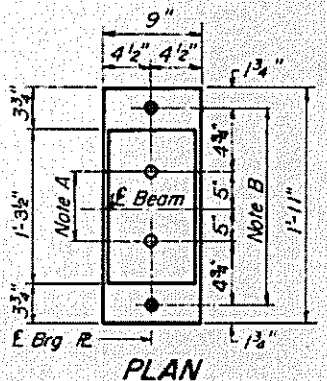
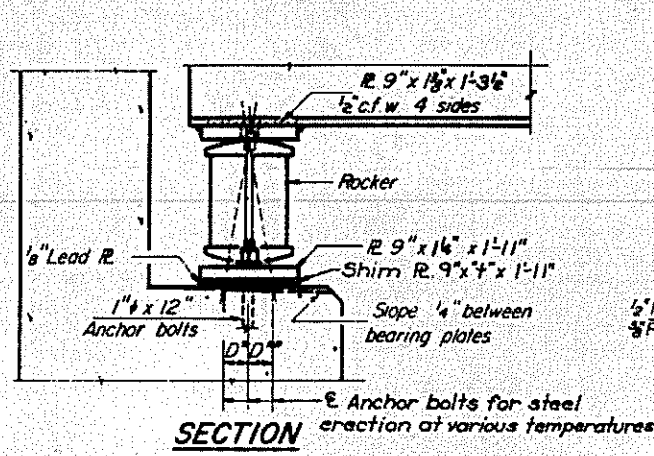
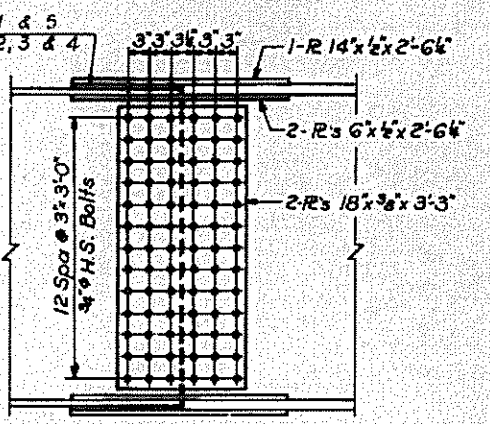
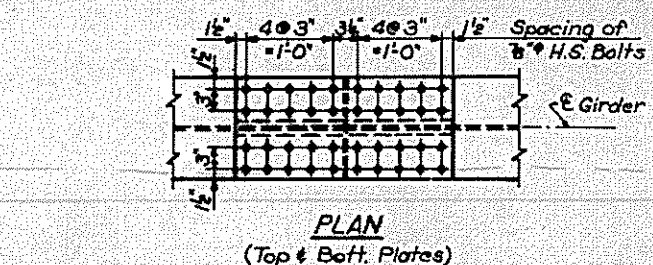


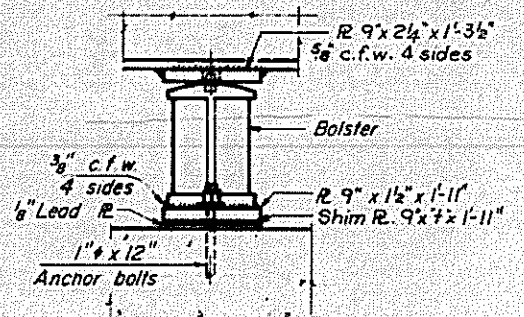
ROUTE NO.	SECTION	COUNTY	TOTAL SHEETS	SHEET NO.
F. A. I. - 64	82.14 (HB)	ST. CLAIR CLINTON	37	15
FED. ROAD DIV. NO. 4		ILLINOIS PROJECT		



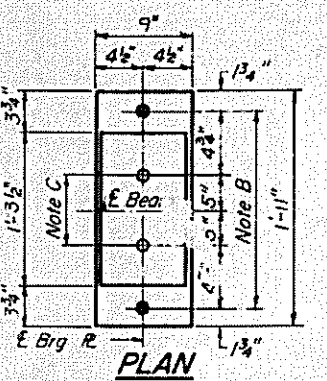
AT ABUTMENT



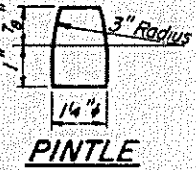
ELEVATION  
FIELD SPLICE



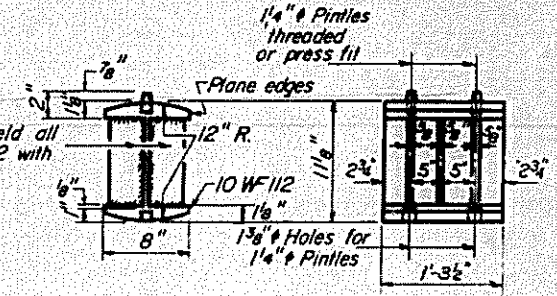
ELEVATION



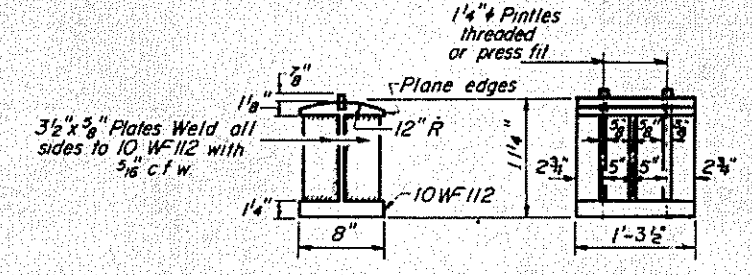
AT PIER



PINTLE



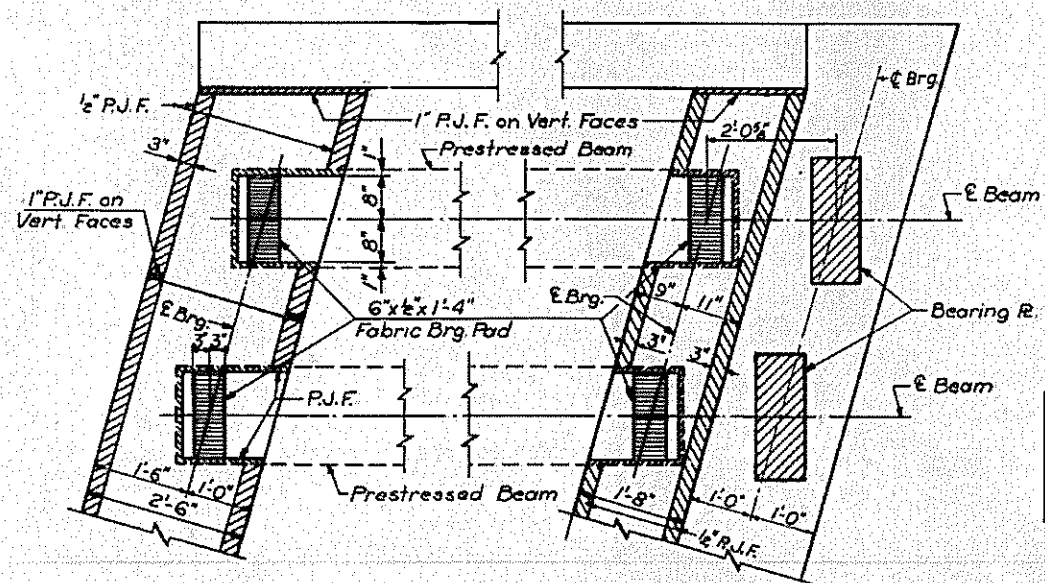
ROCKER



BOLSTER

NOTES ON SETTING OF ANCHOR BOLTS AT EXP. BRGS.

- a) D\* (Side of brg. away from fixed brg.)  
D\* = 1/8" per each 100' of expansion for every 15° fall below the normal temp. of 50°F.
- D\*\* (Side of brg. toward fixed brg.)  
D\*\* = 1/8" per each 100' of expansion for every 15° rise above the normal temp. of 50°F.
- b) After beams have been erected and dimensions D\* or D\*\* determined, holes shall be drilled and anchor bolts shall be grouted in place. All fixed anchor bolts may be built into the masonry.



AT APPROACH BENT

AT ABUTMENT

PLAN

TOP OF BEAM ELEVATIONS (Spans 1 & 4)

	Girder 1	Girder 2	Girder 3	Girder 4	Girder 5
€ Brg. S. Appr. Bent	471.33	471.41	471.41	471.36	471.24
€ Brg. S. Abut.	471.59	471.68	471.68	471.64	471.53
€ Brg. N. Abut.	471.53	471.64	471.68	471.68	471.59
€ Brg. N. Appr. Bent.	471.24	471.36	471.41	471.41	471.33

SHIM 1/4" THICKNESSES

Location	Girder	1	2	3	4	5
S. Abutment		—	3/8"	3/8"	—	—
Pier		—	—	3/8"	—	—
N. Abutment		—	—	3/8"	3/8"	—

STATE OF ILLINOIS  
DEPARTMENT OF PUBLIC WORKS & BLDGS.  
DIVISION OF HIGHWAYS  
**BEARING DETAILS**  
C.H.10A OVER F.A.I. ROUTE 64  
STATION 1458+82.34  
F.A.I. RT.64 ST. CLAIR & CLINTON CO. SECTION 42.14(HB)  
H. W. LOCHNER, INC.  
ENGINEERS  
CHICAGO, ILLINOIS

SHEET  
8 of 16

FOR INFORMATION ONLY

DESIGNED BY S.F.  
DRAWN BY V.B.  
CHECKED BY S.F.