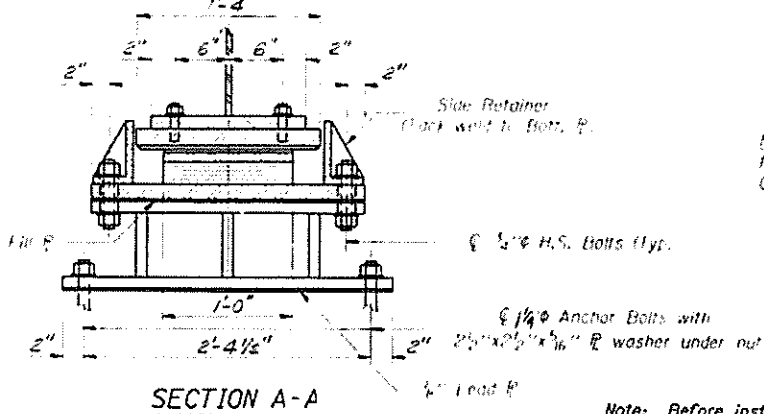
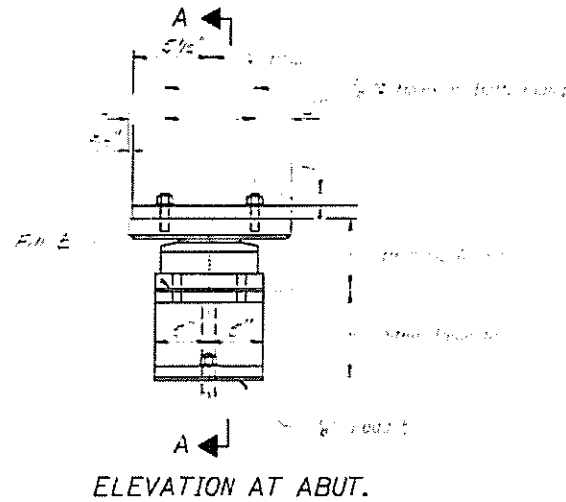


STATE OF ILLINOIS
DEPARTMENT OF TRANSPORTATION

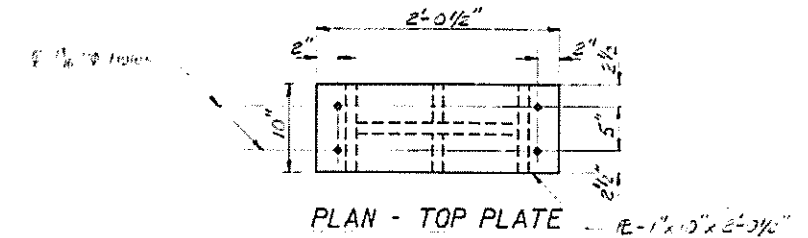
DATE	BY	CHKD	APP'D	SHEET NO.
1-2-84	ST. CLAIR	ED	17	SHEETS

* 82-881-(1,2)

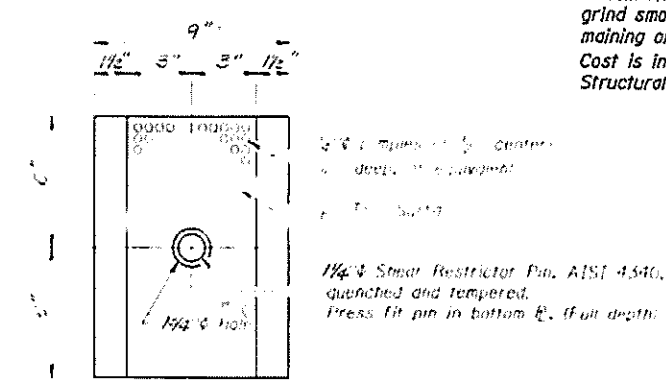
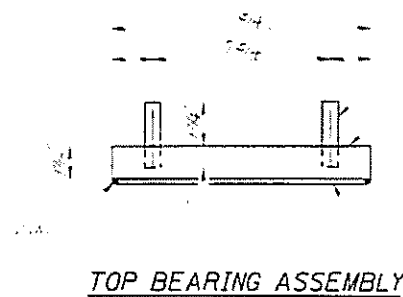


Note: Turn off existing anchor bolt flush with existing concrete surface. Grind smooth and seal with epoxy.

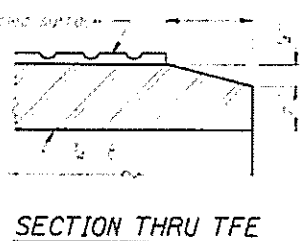
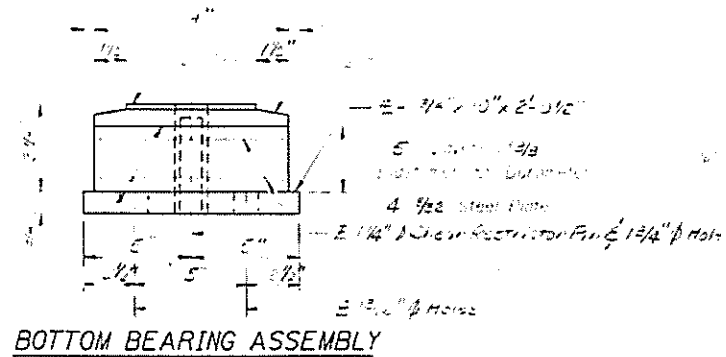
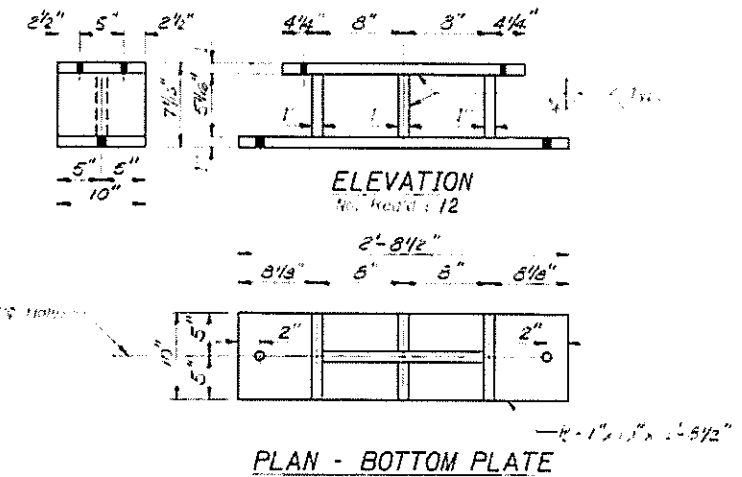
Note: Diaphragm removal and replacement may be required to facilitate drilling holes in bottom flange for bearing attachment. Cost is incidental to "F.&E. Struct. Steel".



TYPE III TFE ELASTOMERIC EXP. BRG.



Note: Before installing the new bearings, remove the top flange of the existing bearing assembly from the bottom flange of the girders and grind smooth all weld material remaining on the bottom flange. Cost is incidental to "F.&E. Structural Steel".



Note: The 1/8" TFE sheet shall be bonded directly to the top steel plate with a two-component, medium viscosity epoxy resin, conforming to the requirements of the Federal Specification MMM A 134, Type 1. The bond agent shall be applied on the full area of the contact surface.

Bonding of 1/8" TFE sheet during vaporizing process will be permitted provided the process and method of adjusting assembly height is approved by the Engineer.

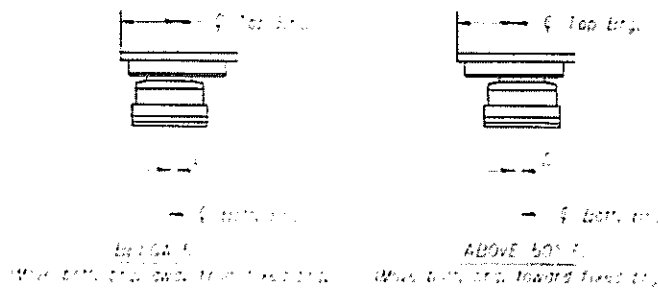
Note: All dimensions are required unless otherwise noted.

SEAM REACTIONS

Live Load	412K
Dead Load	872K
Impact	98K

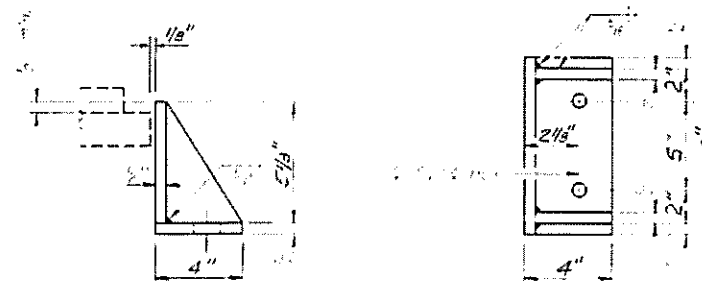
DESIGNED	EXAMINED
CHECKED	PASSED
DRAWN	APPROVED
CHECKED	

I-2-E3



SETTING ANCHOR BOLTS AT EXP. BRG.

Note: All dimensions are required unless otherwise noted.



SIDE RETAINER

Note: All dimensions are required unless otherwise noted.

BILL OF MATERIAL

ITEM	QUANTITY	UNIT
1/8" TFE SHEET	12	SQ. FT.
4" x 8" x 1/2" STEEL PLATE	34	LB.

EAST ABUTMENTS
S.N. 082-0186 & 082-0187
ELASTOMERIC BEARINGS
FAI ROUTE 64
SEC. 82-881-(1,2)
ST. CLAIR COUNTY

FOR INFORMATION ONLY

FILE NAME	USER NAME	DESIGNED	REVISOR	STATE OF ILLINOIS DEPARTMENT OF TRANSPORTATION	EXISTING BEARING DETAILS (SN-082-0186, 0187)	F.A. RTE.	SECTION	COUNTY	TOTAL SHEETS	SHEET NO.
#FILE#	#USER#	---	---			64	82-88-P	CLINTON	29	20
	PLDT SCALE	CHECKED	REVISOR		SCALE: _____					
	PLDT DATE	DATE	REVISOR		SHEET NO. OF SHEETS	STA. TO STA.				CONTRACT NO. 76653