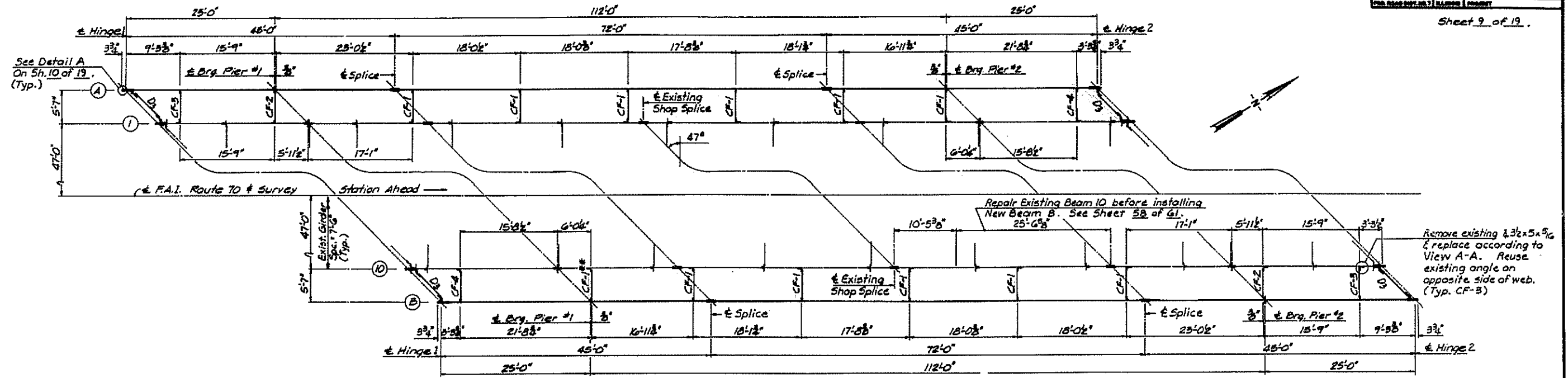


FOR INFORMATION ONLY

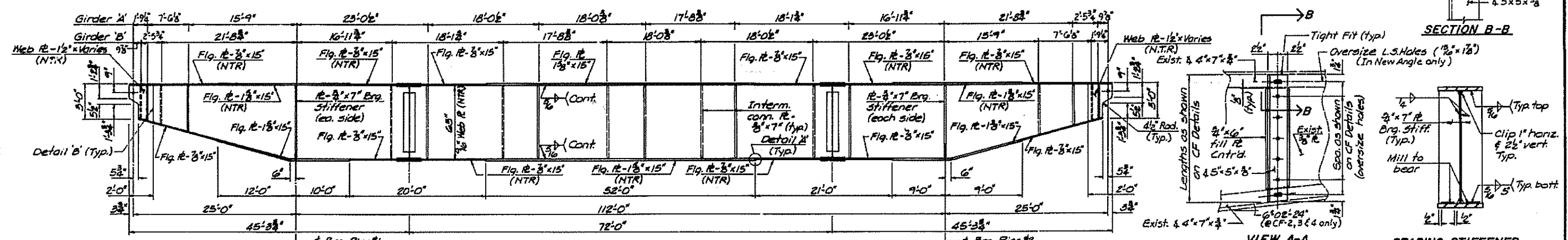
Sec. 60-7HBR-2

NO.	REV.	DATE	BY	CHKD.
1			TEH	WDL
2			RAH	TEH

Sheet 9 of 19

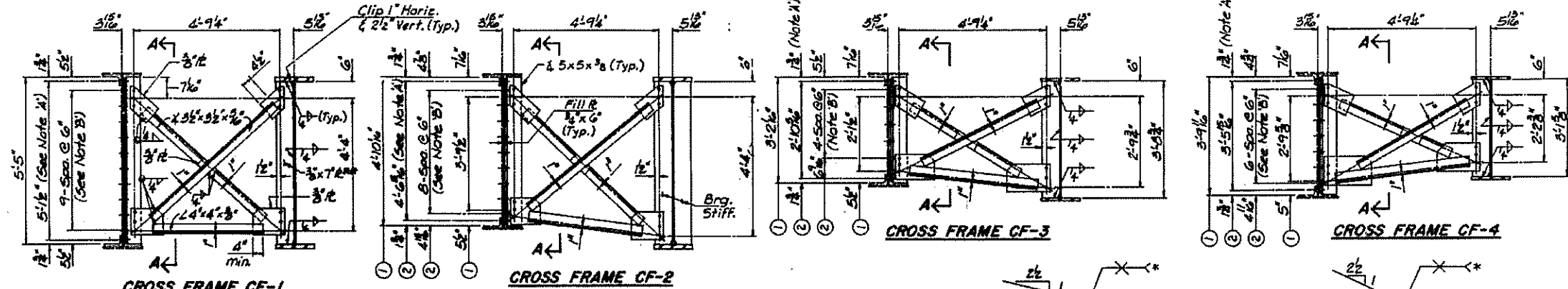


PARTIAL FRAMING PLAN - 2 BRIDGES



GIRDER ELEVATION
(Inside Face Girder A & Outside Face Girder B)

Note: N.T.R. refers to the Supplemental Requirements for Natch Toughness.



CROSS FRAME CF-1
** Or Bearing Stiffeners At Pier 1.

- ① - Along back of angle.
- ② - Along gage line of angle.

DETAIL B (Web Splice)

DETAIL A (Flange Splice)

Notes:
See Sheet 11 of 19 for Splice and Diaphragm Details.
Note A - Remove existing rivets and replace with 3/4" H.S. bolts. Incidental to Structural Steel.
Note B - Field drill 1/2" holes for 3/4" H.S. bolts. Provide 2 hardened washers over all holes in cross frame connections. Incidental to Structural Steel.
All areas on existing girders that receive CF or Diaph. conn. angles or plates shall be cleaned in accordance with Art. 509.06 Method 1 of the Standard Specifications.

STRUCTURAL STEEL - SPAN 2
F.A.I. RTE. 70 OVER COLLINSVILLE BELTLINE
SECTION 60-7HBR-2
MADISON COUNTY
STA. 544+31.73

TEH		0451062
WDL		
RAH		
TEH		

5/5/00

FILE NAME	USER NAME	DESIGNED	REVISED	STATE OF ILLINOIS DEPARTMENT OF TRANSPORTATION	FRAMING (SN 060-0014 & 0015)	F.A.I. RTE.	SECTION	COUNTY	TOTAL SHEETS	SHEET NO.
#FILE#	#USER#	-	-	STATE OF ILLINOIS DEPARTMENT OF TRANSPORTATION	FRAMING (SN 060-0014 & 0015)	55/70	60-7HBR-2	MADISON	25	13
PLOT SCALE	#SCALE#	CHECKED	REVISED	SCALE: N/A	SHEET NO. OF SHEETS	STA. TO STA.		CONTRACT NO. 76664		
PLOT DATE	#DATE#	DATE	REVISED	FED. ROAD DIST. NO., ILLINOIS FED. AID PROJECT						