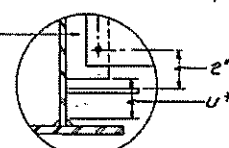
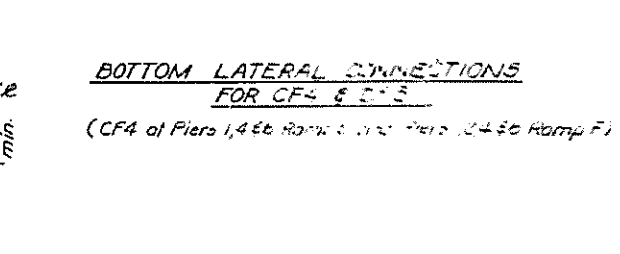
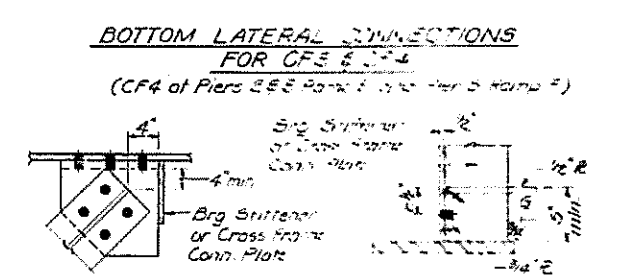
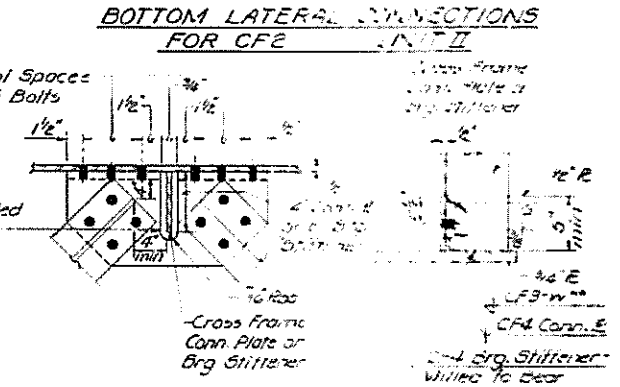
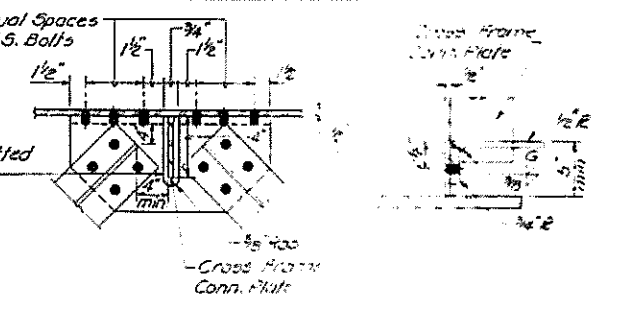
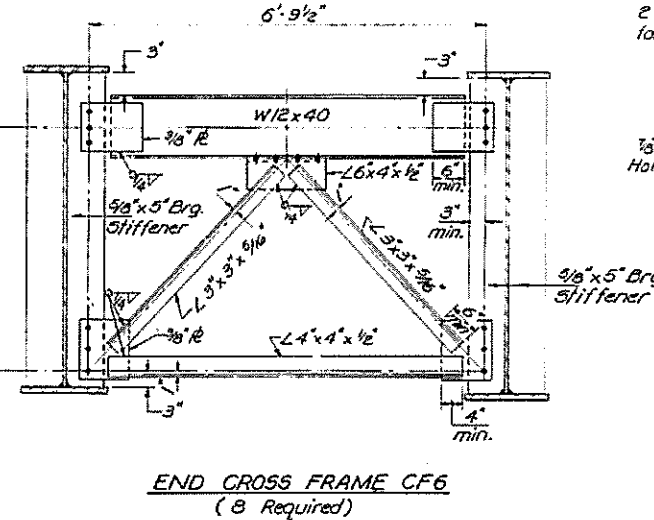
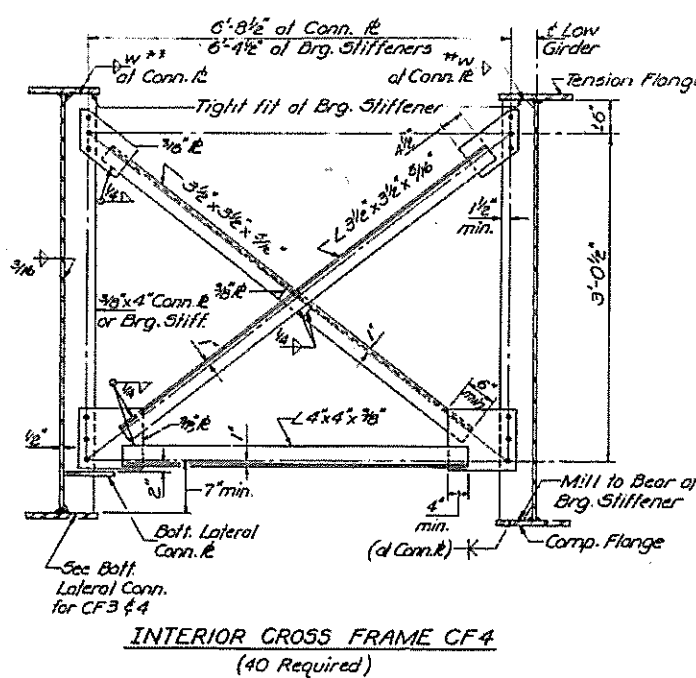
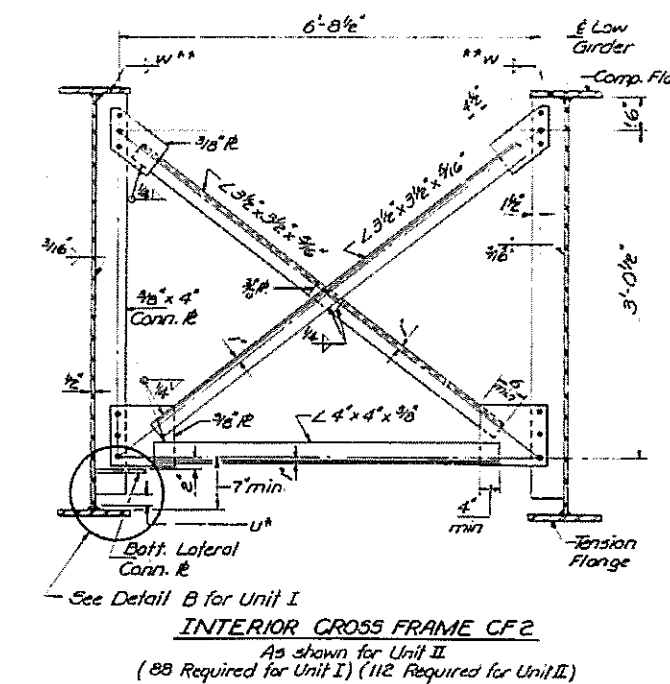
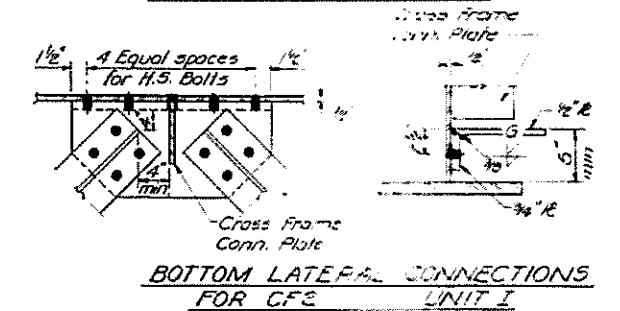
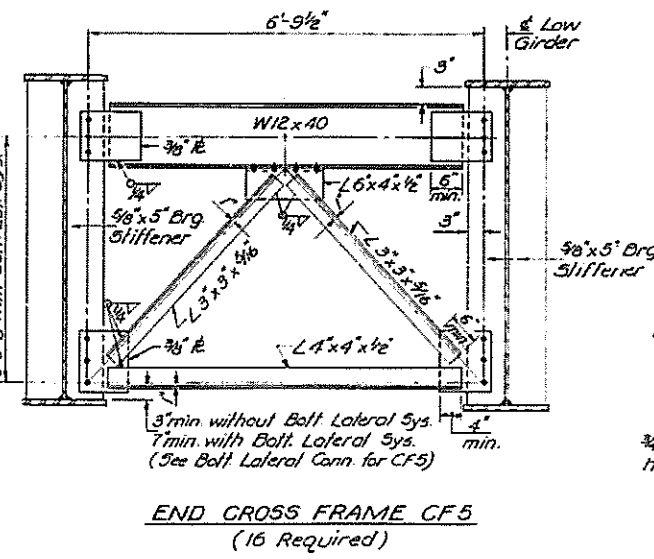
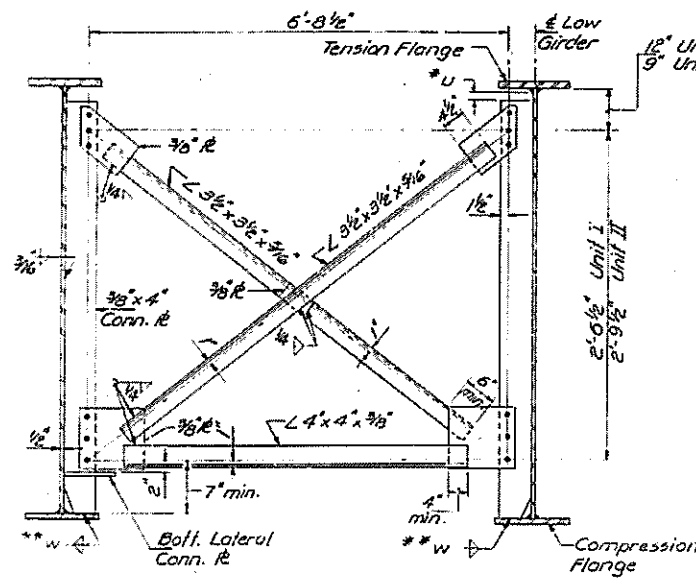
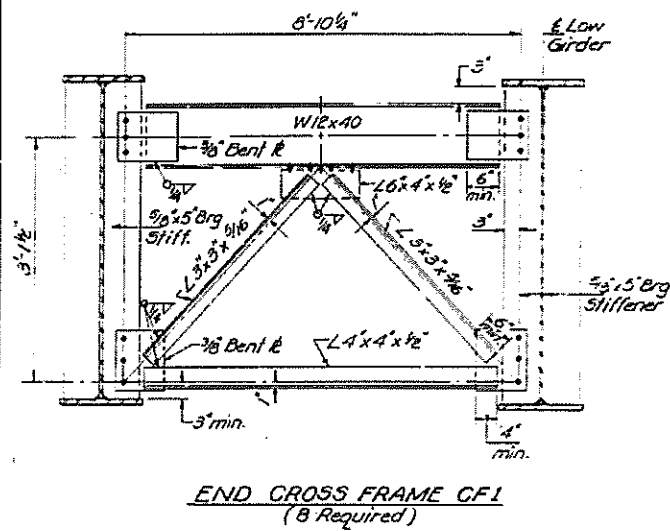


FOR INFORMATION ONLY

STATE OF ILLINOIS  
DEPARTMENT OF TRANSPORTATION

PROJECT NO.	SECTION	PROJECT	DATE	SHEET NO.
255	82-THB	St. Clair	5/1	69
69 SHEETS				



DESIGNED	Rick Brunette
CHECKED	DAN KRULL
DRAWN	S.G. FECHOW
CHECKED	DK

EXAMINED	
PASSED	
APPROVED	

**\*\*TABLE OF "W" DIMENSIONS**

Flange Thickness	"W"
to 3/4"	1/4"
to 1 1/2"	3/16"

\* U = 6" Unit I  
U = 3" Unit II

Notes: Drill 1/16" holes for 3/4" bolts.  
Hardened washers shall be required over all holes.  
All contact surfaces of joints for the cross frames and lateral bracing shall be free of paint or lacquer.  
All cross frames, connecting l's, gusset l's, lateral bracing and angles shall be MILB3.  
See Sheet #36 & #40 for location of Bottom Lateral Connections.  
All bolts for crossframes and lateral bracing shall be 3/4" H.S. bolts.



STRUCTURAL STEEL  
F.A.I. RT 371 SEC. 82-THB  
ST. CLAIR COUNTY  
STATION 343+61.11