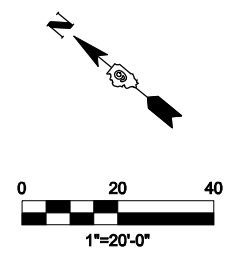
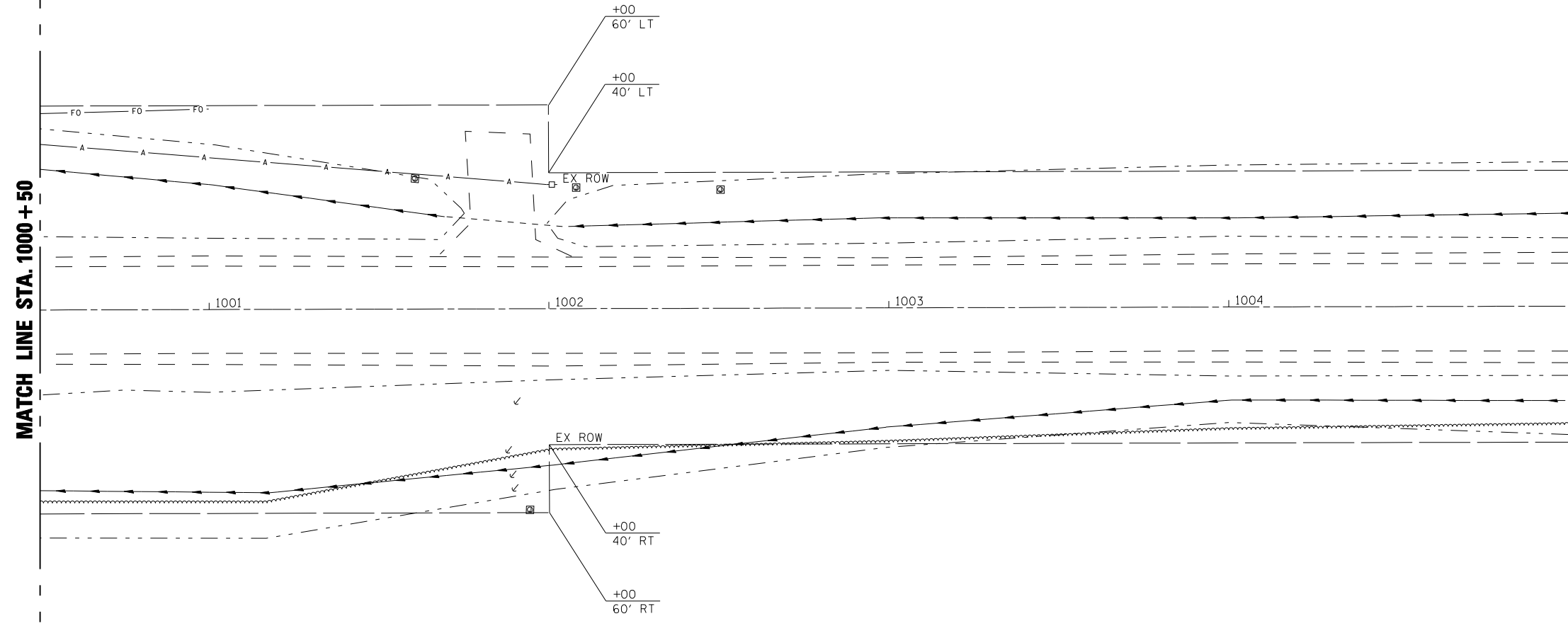




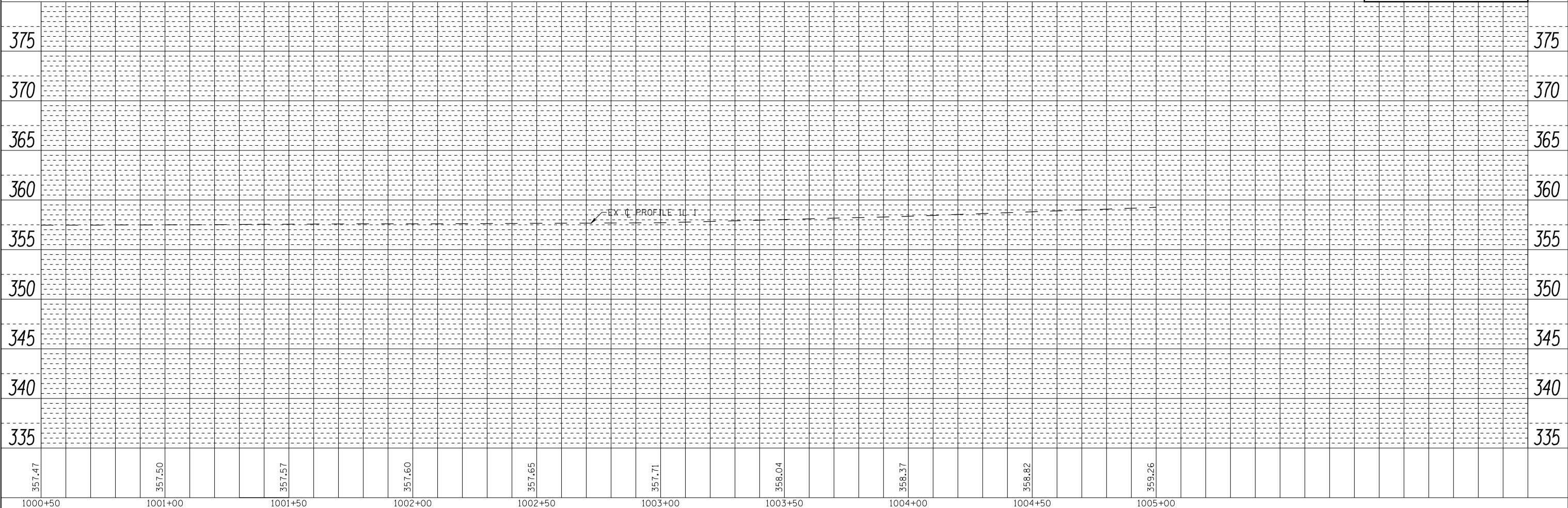
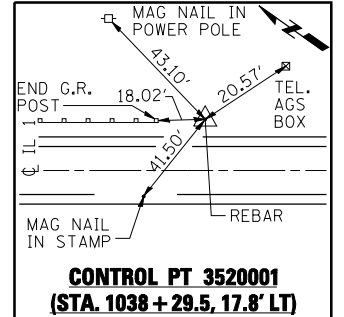
PLAN	SURVEYED	DATE
	PLOTTED	BY
	GRADES CHECKED	
	STRUCTURE NOT AT THIS CHFD	
	NOTE BOOK NO.	
	CADD FILE NAME	

PROFILE	SURVEYED	DATE
	PLOTTED	BY
	GRADES CHECKED	
	STRUCTURE NOT AT THIS CHFD	
	NOTE BOOK NO.	
	CADD FILE NAME	

PRINT DRIVER = I:\D.L.R.B.041  
 PLOT FILE NAME = D:\7823-INT-210-01.dgn



**CONTROL POINT TIE**



USER NAME = kah	DESIGNED - JMS/NHP	REVISED -
ESCA PROJECT NO. 1035.03	DRAWN - HAS	REVISED -
SCALEs: (HORIZ) 1"=20' (VERT) 1"=5'	CHECKED - RDP	REVISED -
PLOT DATE = 1/22/2014 5:19:58 PM	DATE - 11/13	REVISED -

**STATE OF ILLINOIS  
DEPARTMENT OF TRANSPORTATION**

**FAP 782 (IL 1) PLAN & PROFILE**

SCALE: AS SHOWN SHEET NO. 3 OF 3 SHEETS STA. 1000+50 TO STA. 1005+00

F.A.P. RTE. 782	SECTION 115B-1	COUNTY HARDIN	TOTAL SHEETS 70	SHEET NO. 16
FED. ROAD DIST. NO. ILLINOIS FED. AID PROJECT			CONTRACT NO. 78263	