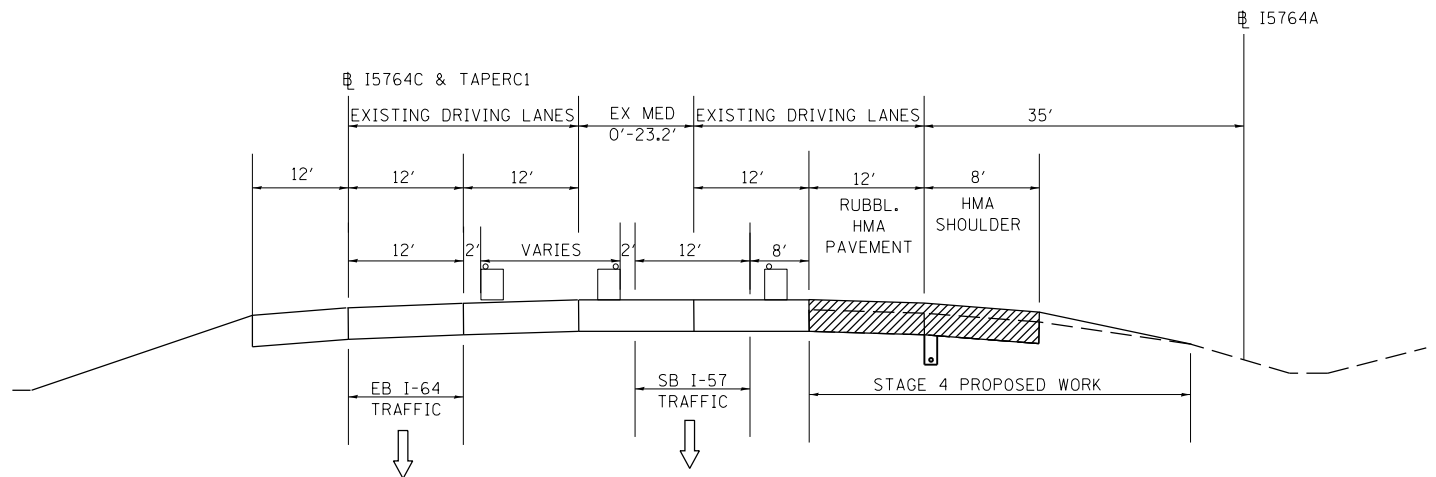
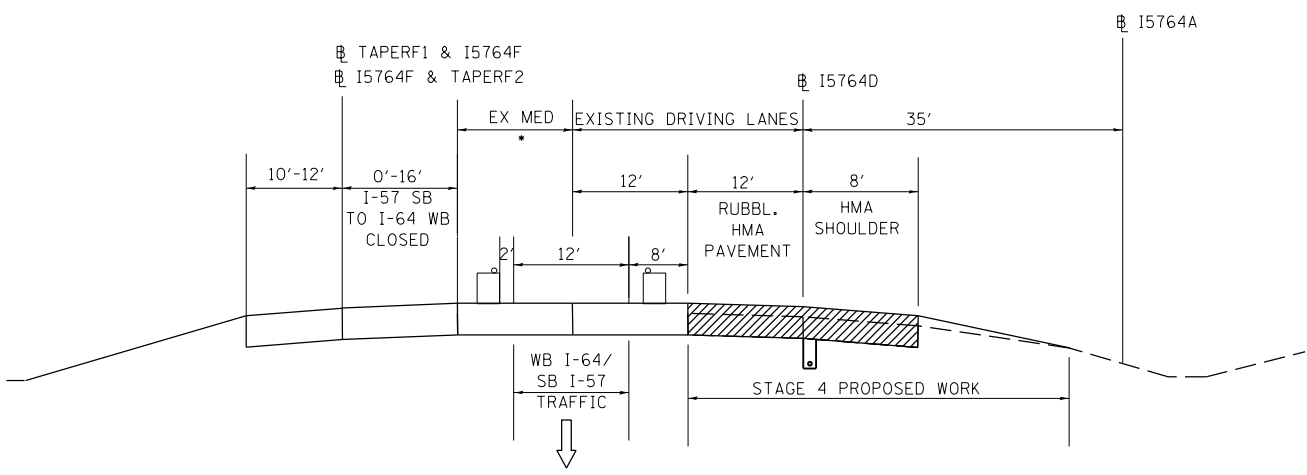


STAGE 4
 NB I-57 TO WB I-64
 STA 838+11.42 TO STA 847+03.12 (I5764B)



STAGE 4
 SB I-57
 STA 836+25.03 TO STA 846+81.78 (I5764A)



STAGE 4
 SB I-57
 STA 869+83.15 TO STA 877+23.31 (I5764A)
 *0'-28.2'
 NB I-57 TO WB I-64
 STA 2364+46.36 (I64)=2364+05.07 (I5764D) TO STA 2378+52.25 (I5764D)
 *0'-24.2'

FILE NAME =	USER NAME = rollavr	DESIGNED -	REVISED -
c:\pwork\pwork\rollavr\d0278568\78276-sh4d-stageconstruction.dgn		DRAWN -	REVISED -
Default	PLOT SCALE = 100.0000' / in.	CHECKED -	REVISED -
	PLOT DATE = 2/28/2014	DATE -	REVISED -

**STATE OF ILLINOIS
 DEPARTMENT OF TRANSPORTATION**

STAGE 4 TYPICAL SECTIONS			
SCALE:	SHEET 2	OF 10 SHEETS	STA. TO STA.

F.A.I. RTE.	SECTION	COUNTY	TOTAL SHEETS	SHEET NO.
..	.	JEFFERSON	235	119
			CONTRACT NO. 78276	
ILLINOIS FED. AID PROJECT				