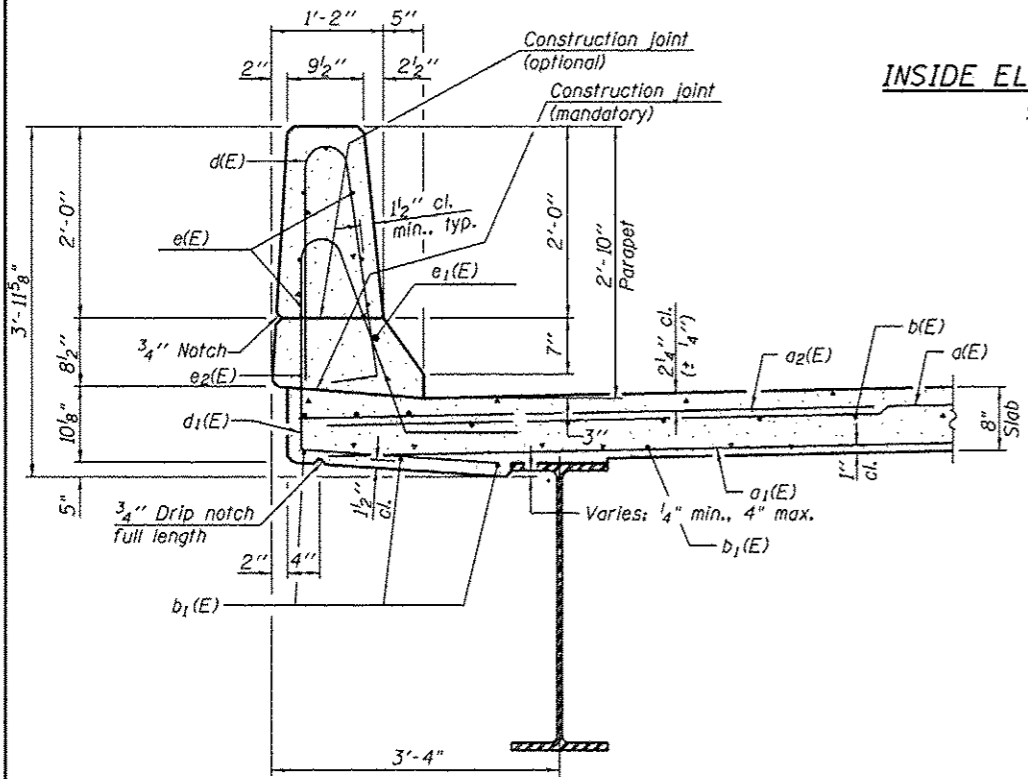


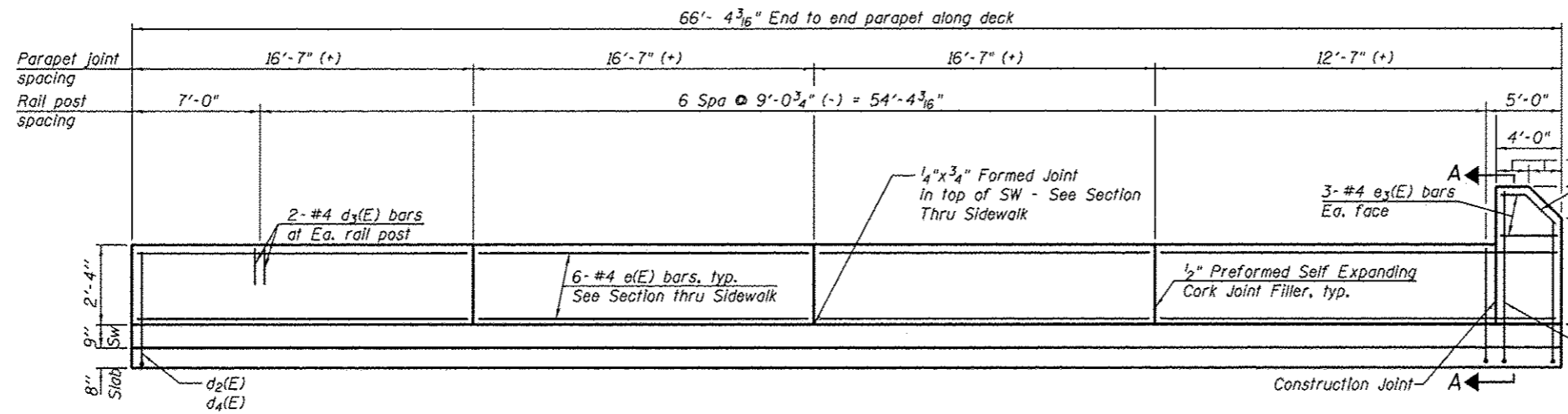
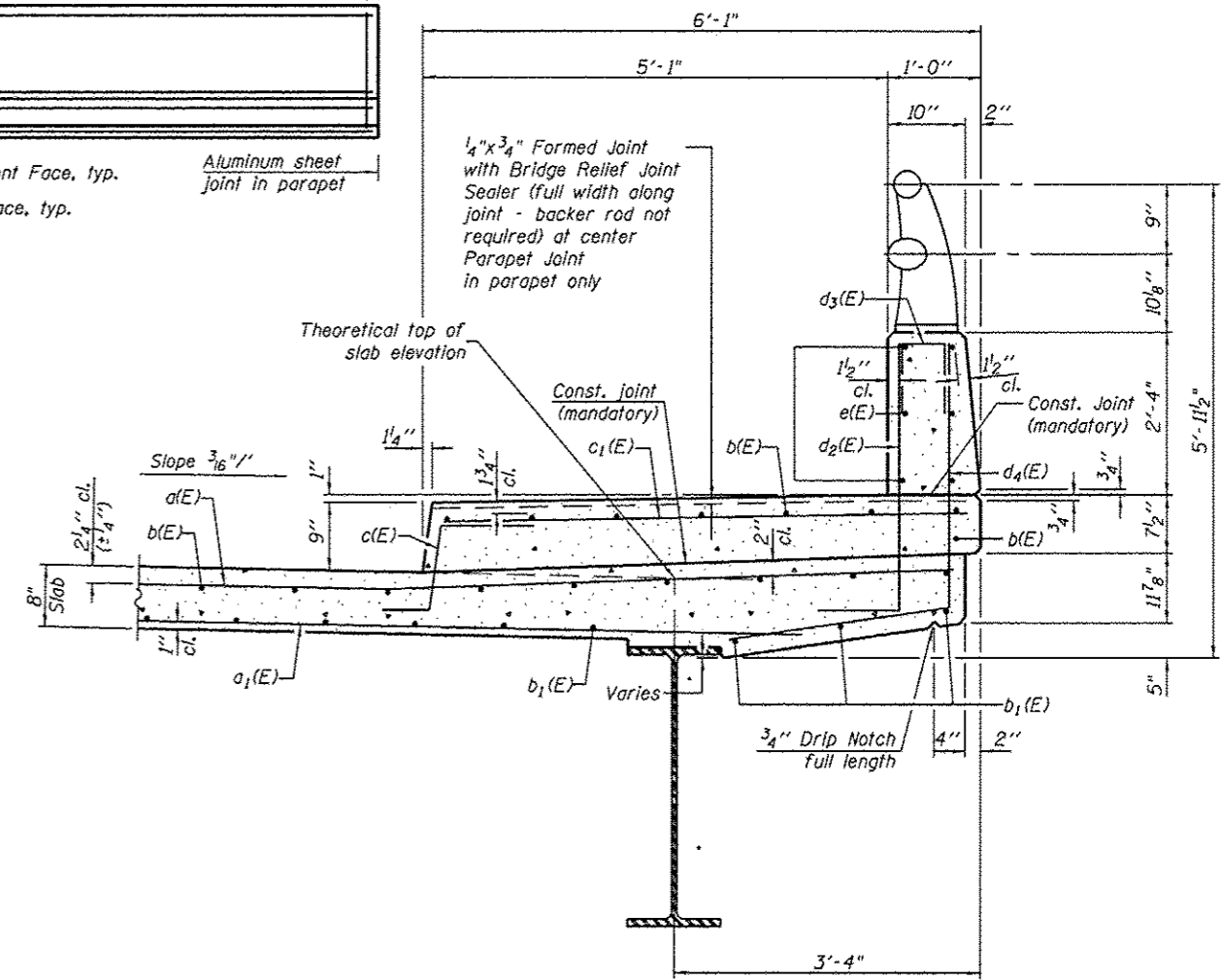
**INSIDE ELEVATION OF PARAPET - NORTH SIDE**

See Sheet S-09 for Parapet Joint Details



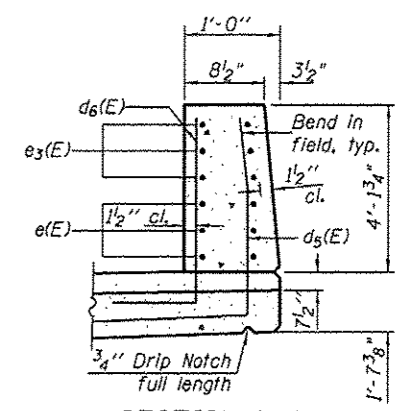
**MINIMUM BAR LAP**

(Parapet)  
 #4 bar = 2'-0"  
 #8 bar = 5'-2"



**INSIDE ELEVATION OF PARAPET - SOUTH SIDE**

See Sheet S-09 for Parapet Joint Details



**SECTION A-A**

See Section Thru Sidewalk for additional details

COMPANY NAME: Kevin M. Arff  
 PROJECT CONTACT: City of Rockford  
 CLIENT: 2/18/2014 1:26:05 PM  
 DATE PLOTTED: 6/13/2014 9:01:01 AM  
 FILE NAME: par.087-1117.rvt  
 PLOT DIRECTION: Vertical  
 PLOT TABLE: Structure



USER NAME	ehood	DESIGNED	KMA	REVISED	-
CHECKED	RGD	REVISIONS		REVISED	-
PLOT SCALE	x	DRAWN	WJH	REVISED	-
PLOT DATE	2/18/2014	CHECKED	2/18/14	REVISED	-

**STATE OF ILLINOIS  
 DEPARTMENT OF TRANSPORTATION**

**SUPERSTRUCTURE DETAILS  
 STRUCTURE NO. 101-6148**

SHEET NO. S-08 OF S-19 SHEETS

F.A. RTE.	SECTION	COUNTY	TOTAL SHEETS	SHEET NO.
3259	11-00590-00-BR	WINNEBAGO	32	18
				CONTRACT NO. 85607
ILLINOIS FED. AID PROJECT				