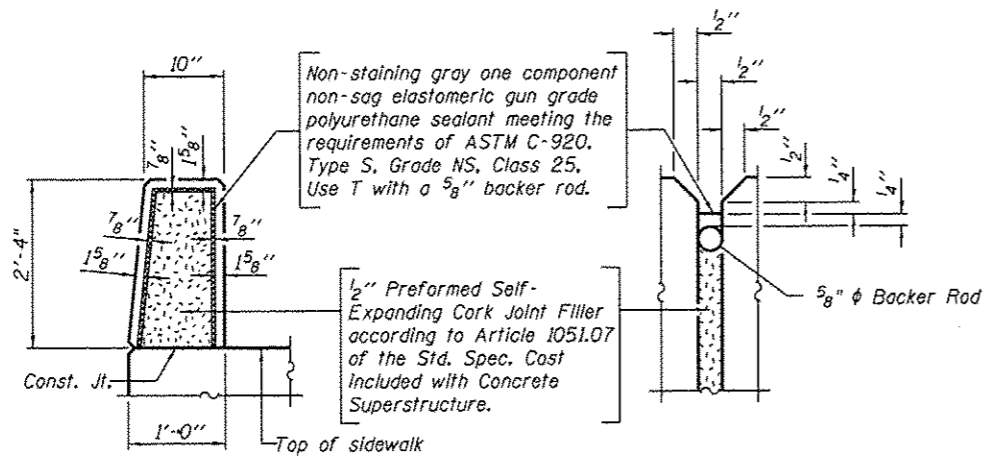
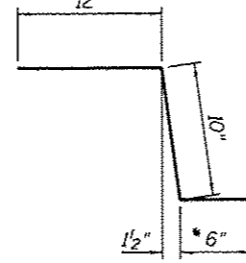


PARAPET JOINT DETAILS

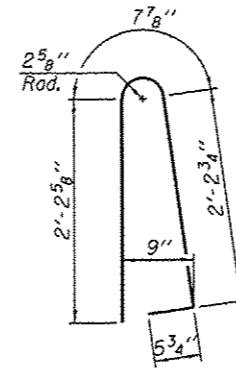


PARAPET JOINT DETAILS

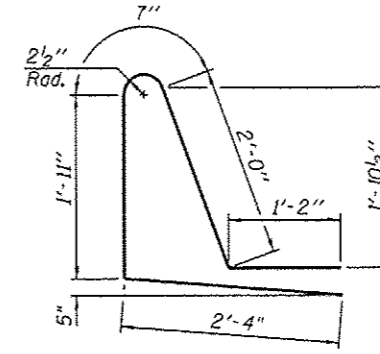


BAR c(E)

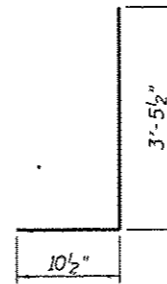
* In lieu of bottom leg, c(E) bars may be cored and set according to Article 509.06 of the Standard Specifications. Cored holes shall be roughed or scored per manufacturer's recommendations. Maximum depth of cored hole shall not exceed 6".



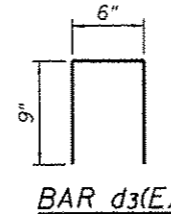
BAR d(E)



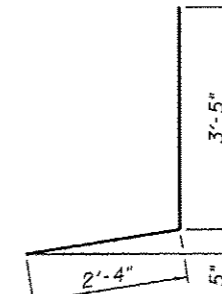
BAR d1(E)



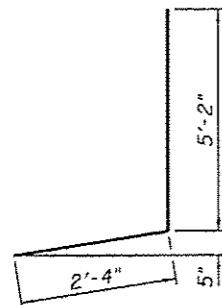
BAR d2(E)



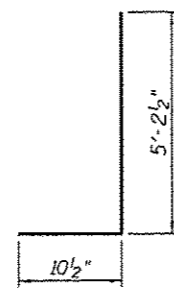
BAR d3(E)



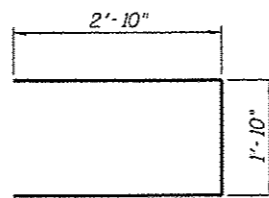
BAR d4(E)



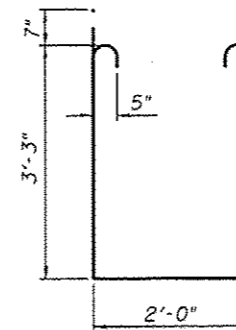
BAR d5(E)



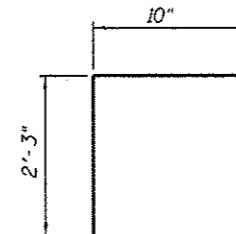
BAR d6(E)



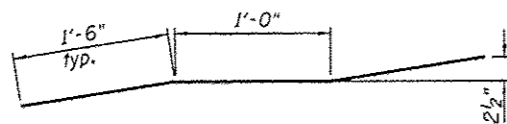
BAR s(E)



BAR s1(E)



BAR v(E)



BAR m3(E)

SUPERSTRUCTURE
BILL OF MATERIAL

Bar	No.	Size	Length	Shape
a (E)	133	#5	38'- 6"	—
a1(E)	80	#5	38'- 6"	—
a2(E)	123	#6	6'- 6"	—
b (E)	141	#5	23'- 9"	—
b1(E)	164	#5	19'- 0"	—
c (E)	67	#5	2'- 4"	┌
c1(E)	67	#5	5'- 9"	—
d (E)	73	#5	5'- 7"	└
d1(E)	73	#5	8'- 0"	└
d2(E)	62	#6	4'- 4"	└
d3(E)	14	#4	2'- 0"	└
d4(E)	62	#4	5'- 9"	└
d5(E)	5	#4	7'- 6"	└
d6(E)	5	#6	6'- 1"	└
e (E)	52	#4	16'- 3"	—
e1(E)	2	#8	32'- 10"	—
e2(E)	2	#4	32'- 10"	—
e3(E)	6	#4	3'- 8"	—
m (E)	8	#6	39'- 2"	—
m1(E)	30	#6	6'- 1"	—
m2(E)	12	#6	3'- 0"	—
m3(E)	36	#5	4'- 0"	—
s (E)	72	#5	7'- 6"	└
s1(E)	72	#5	9'- 8"	└
v (E)	80	#5	3'- 1"	└
Concrete Superstructure			Cu. Yd.	119.9
Reinforcement Bars, Epoxy Coated			Pound	22,120

Bars indicated thus 1 x 2-#5 etc. Indicates 1 line of bars with 2 lengths per line.

COMPANY NAME: Keshi M. Arff
PROJECT CONTACT: City of Rockford
CLIENT: 2/18/2014 10:07 PM
DATE PLOTTED: 8/13/2014 10:07 PM
FILE NAME: 86130054-Sup.dwg
PLOT DRIVER: pdf_PLOT1111.dwg
PEN TABLE: Struct.tbl



USER NAME = whood	DESIGNED - KMA	REVISED -
PLOT SCALE =	CHECKED - RGD	REVISED -
PLOT DATE = 2/18/2014	DRAWN - WJH	REVISED -
	CHECKED - 2/18/14	REVISED -

STATE OF ILLINOIS
DEPARTMENT OF TRANSPORTATION

SUPERSTRUCTURE DETAILS
STRUCTURE NO. 101-6148

SHEET NO. 5-09 OF 5-19 SHEETS

F.A. RTE.	SECTION	COUNTY	TOTAL SHEETS	SHEET NO.
3259	11-00590-00-BR	WINNEBAGO	32	19
CONTRACT NO. 85607			ILLINOIS FED. AID PROJECT	