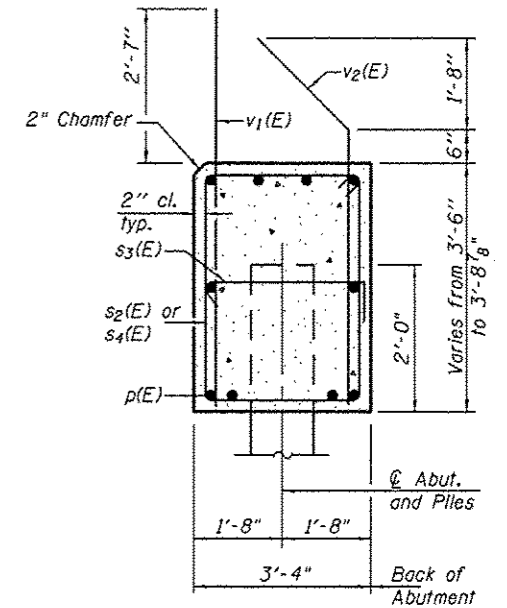
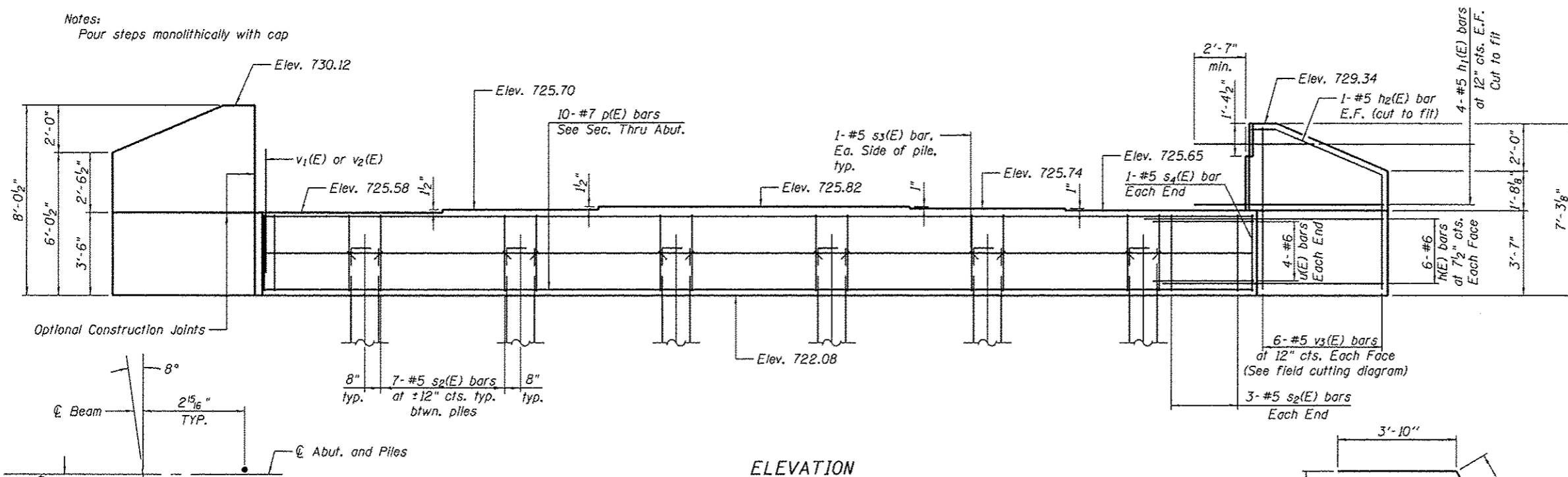


Notes:
Four steps monolithically with cap



SEC. THRU ABUT.

Dimensions at right angles to abutment.

ELEVATION

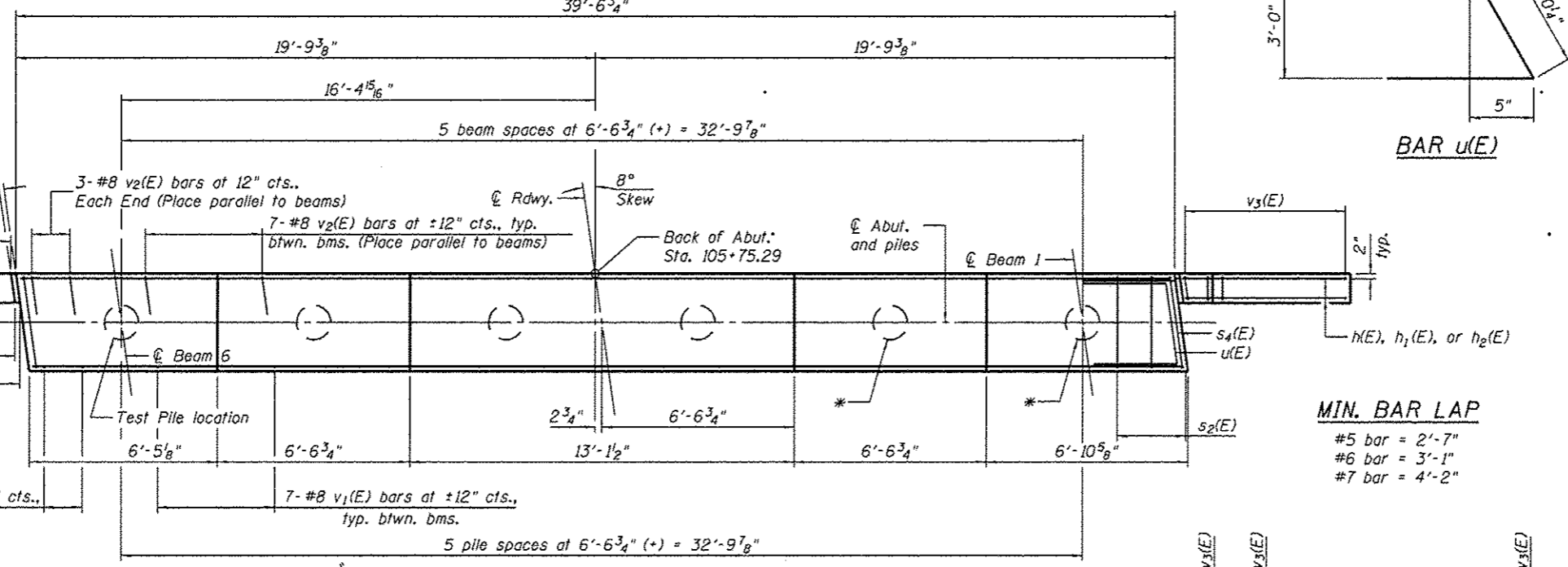
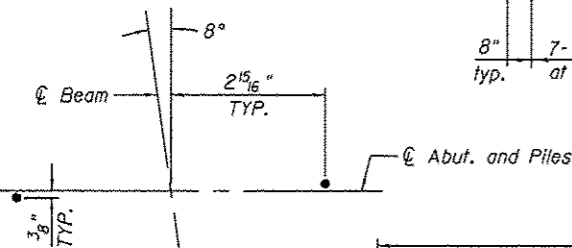
BILL OF MATERIAL

Bar	No.	Size	Length	Shape
h(E)	24	#6	8'-10"	—
h1(E)	16	#5	8'-4"	—
h2(E)	4	#5	5'-6"	—
p(E)	10	#7	39'-2"	—
s2(E)	41	#5	13'-3"	□
s3(E)	12	#5	4'-0"	┌
s4(E)	2	#5	13'-5"	□
u(E)	8	#6	10'-8"	┌
v1(E)	41	#8	5'-11"	—
v2(E)	41	#8	6'-2"	┌
v3(E)	12	#5	12'-3"	—

Structure Excavation	Cu. Yd.	63.6
Concrete Structures	Cu. Yd.	20.8
Reinforcement Bars, Epoxy Coated	Pound	3,530
Furnishing Metal Shell Piles 14" x 0.25"	Foot	215
Test Pile Metal Shell Piles 14" x 0.25"	Each	1
Driving Piles	Foot	215

For details of piles see sheet S-17.

ANCHOR BOLT
DETAIL



BAR u(E)

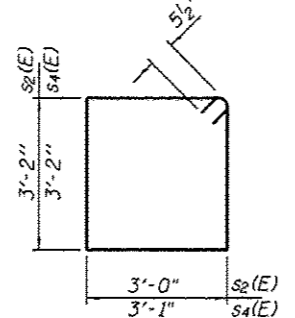
MIN. BAR LAP

#5 bar = 2'-7"
#6 bar = 3'-1"
#7 bar = 4'-2"

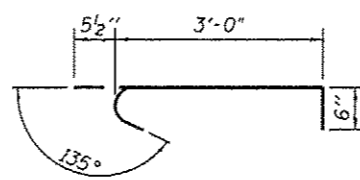
PILE DATA

Type: Metal Shell - 14" dia. x 0.25 in walls
Nominal Required Bearing: 288k
Factored Resistance Available: 152k
Est. Length: 43'
No. Production Piles: 5
No. Test Piles: 1

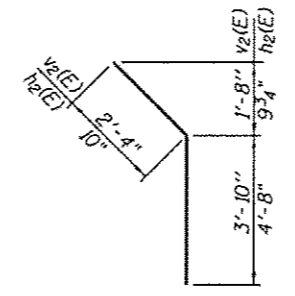
BAR s2(E) & s4(E)



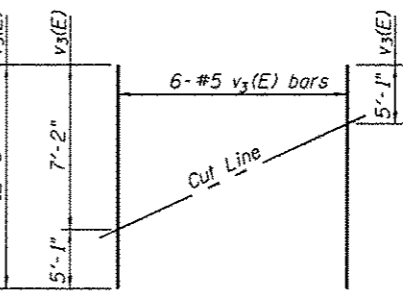
BAR s3(E)



BAR v2(E) & h2(E)



FIELD CUTTING DIAGRAM



Order v3(E) full length. Cut as shown and use remainder of bars in opposite face.

Notes:
* The two (2) north piles shall be driven through 18" diameter precored holes extending to elevation 710.00 according to Article 512.09(c) of the Standard Specifications. Cost included in driving piles. Verify with field location of existing 10" water main.

COMPANY NAME: Revlin M. Arft
PROJECT CONTACT: City of Rockford
CLIENT: City of Rockford
DATE PLOTTED: 2/18/2014 11:26:00 PM
FILE NAME: 8510054-ABUT-01.dwg
PLOT DRIVER: pdljet7-jlt.dwt
PEN TABLE: Standard



USER NAME = whoad	DESIGNED - KMA	REVISED -
	CHECKED - RGD	REVISED -
PLOT SCALE =	DRAWN - WJH	REVISED -
PLOT DATE = 2/18/2014	CHECKED - 2/18/14	REVISED -

STATE OF ILLINOIS
DEPARTMENT OF TRANSPORTATION

WEST ABUTMENT
STRUCTURE NO. 101-6148
SHEET NO. S-15 OF S-19 SHEETS

F.A. RTE.	SECTION	COUNTY	TOTAL SHEETS	SHEET NO.
3259	11-00590-00-BR	WINNEBAGO	32	25

CONTRACT NO. 85607
ILLINOIS FED. AID PROJECT