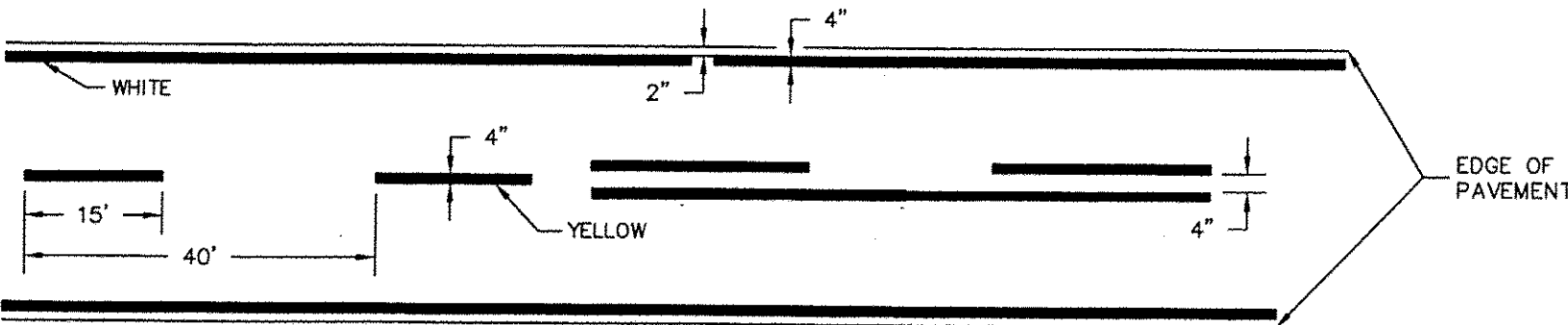


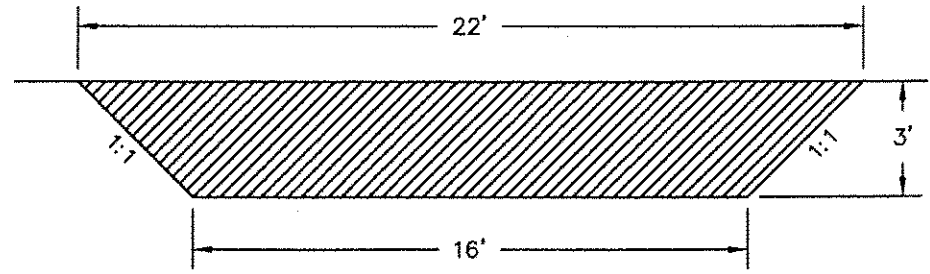
COUNTY	SECTION	HWY.NO.	SHEET NO.
LASALLE	15-00326-00-WR	29	13 of 16

Contract # 87566

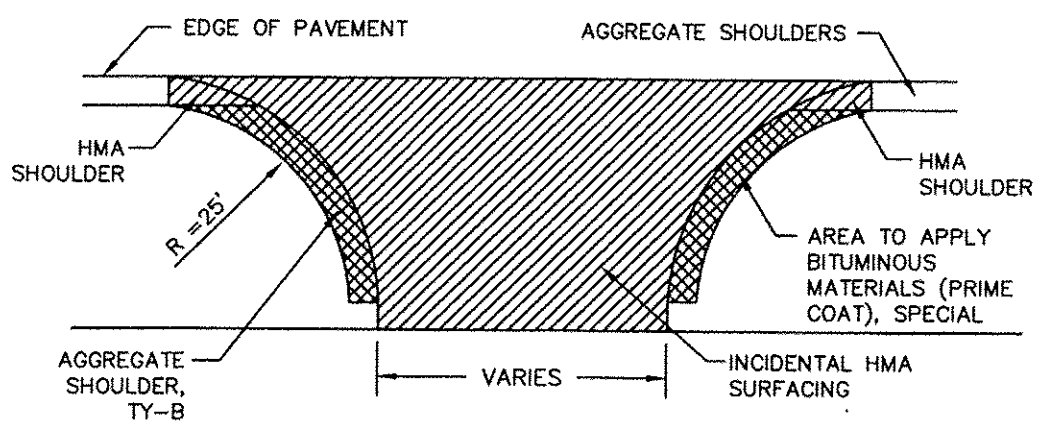


**PAINTING DETAIL**

LASALLE COUNTY FORCES MAINTAIN A 2-GUN SYSTEM. PAINT OPERATION SHOULD REFLECT LASALLE COUNTY'S SYSTEM.

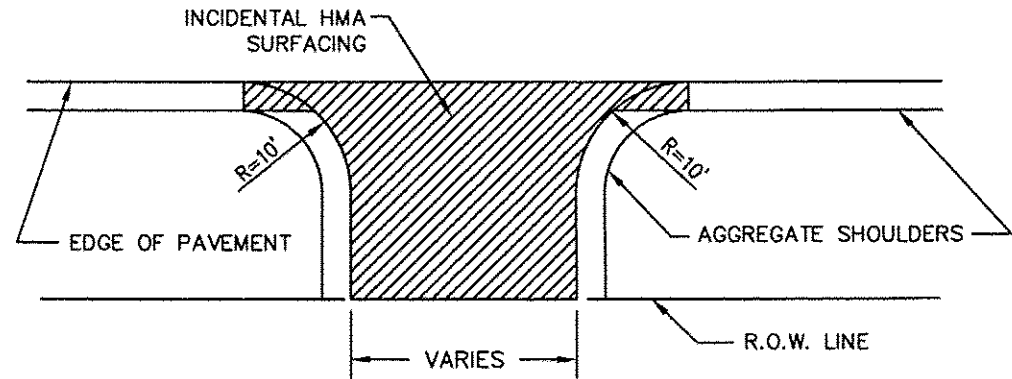


**TYPICAL FIELD ENTRANCE**

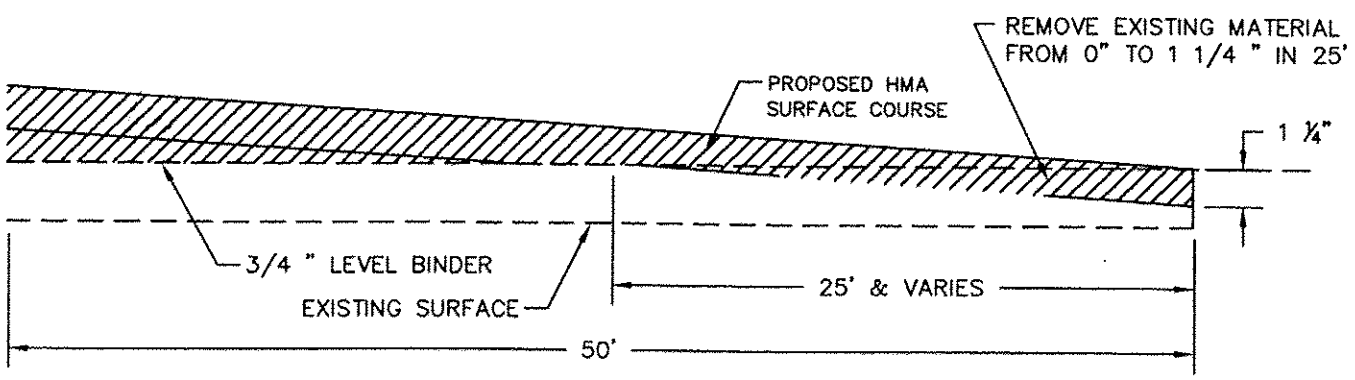


**TYPICAL INTERSECTION**

NOTE: AGGREGATE SHOULDERS IN THE RADIUS AREAS OF SIDE ROADS SHALL BE APPLIED WITH MC-30 AT THE RATE SPECIFIED IN THE SPECIAL PROVISIONS.

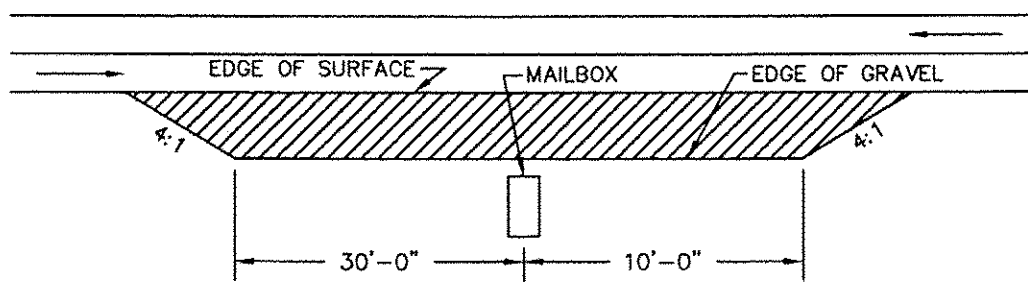


**TYPICAL PRIVATE ENTRANCE**



**TAPER DETAIL**

SEE HMA SURFACE REMOVAL - BUTT JOINT SCHEDULE FOR LOCATIONS



**TYPICAL MAILBOX TURNOUT**