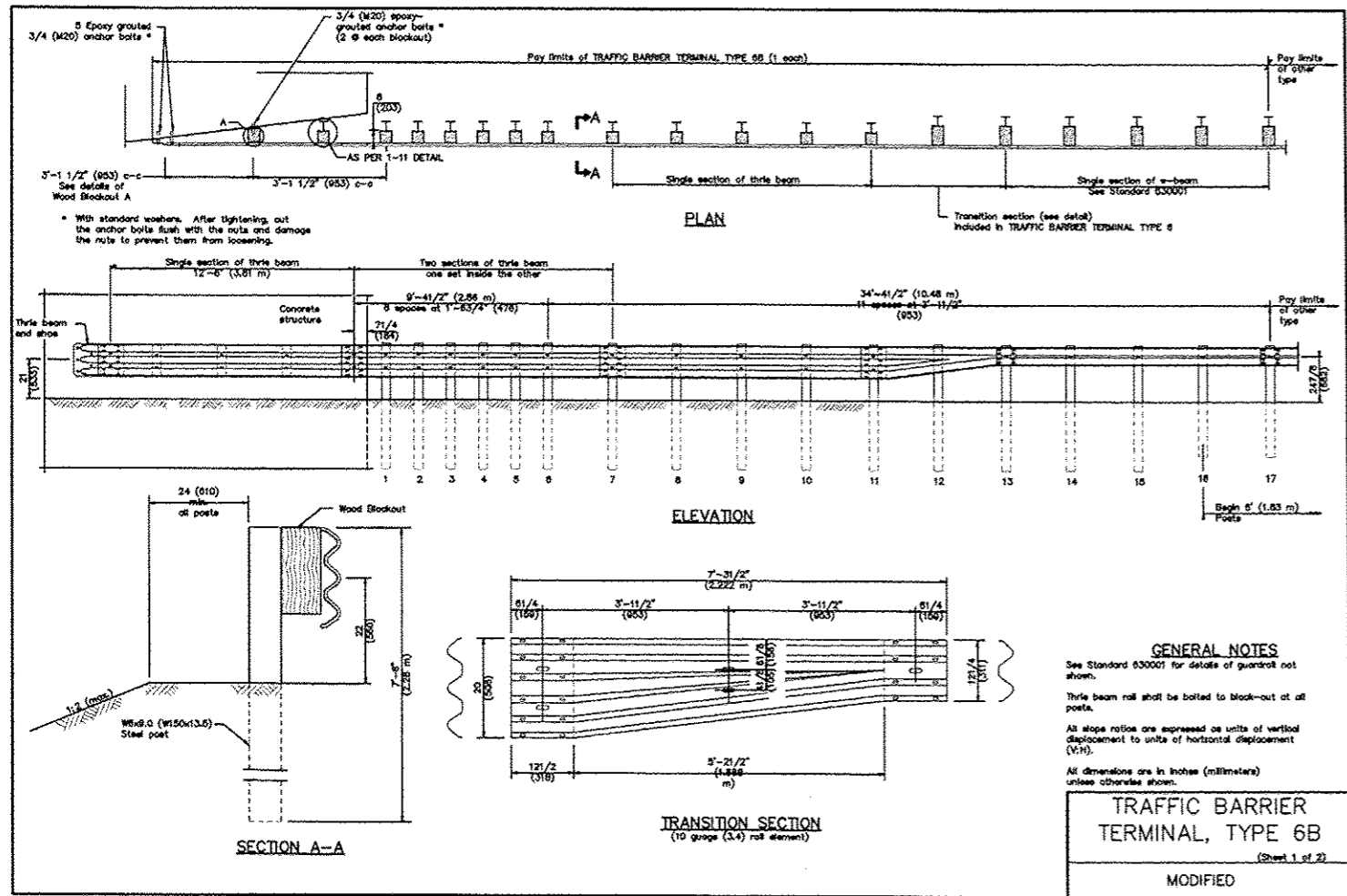


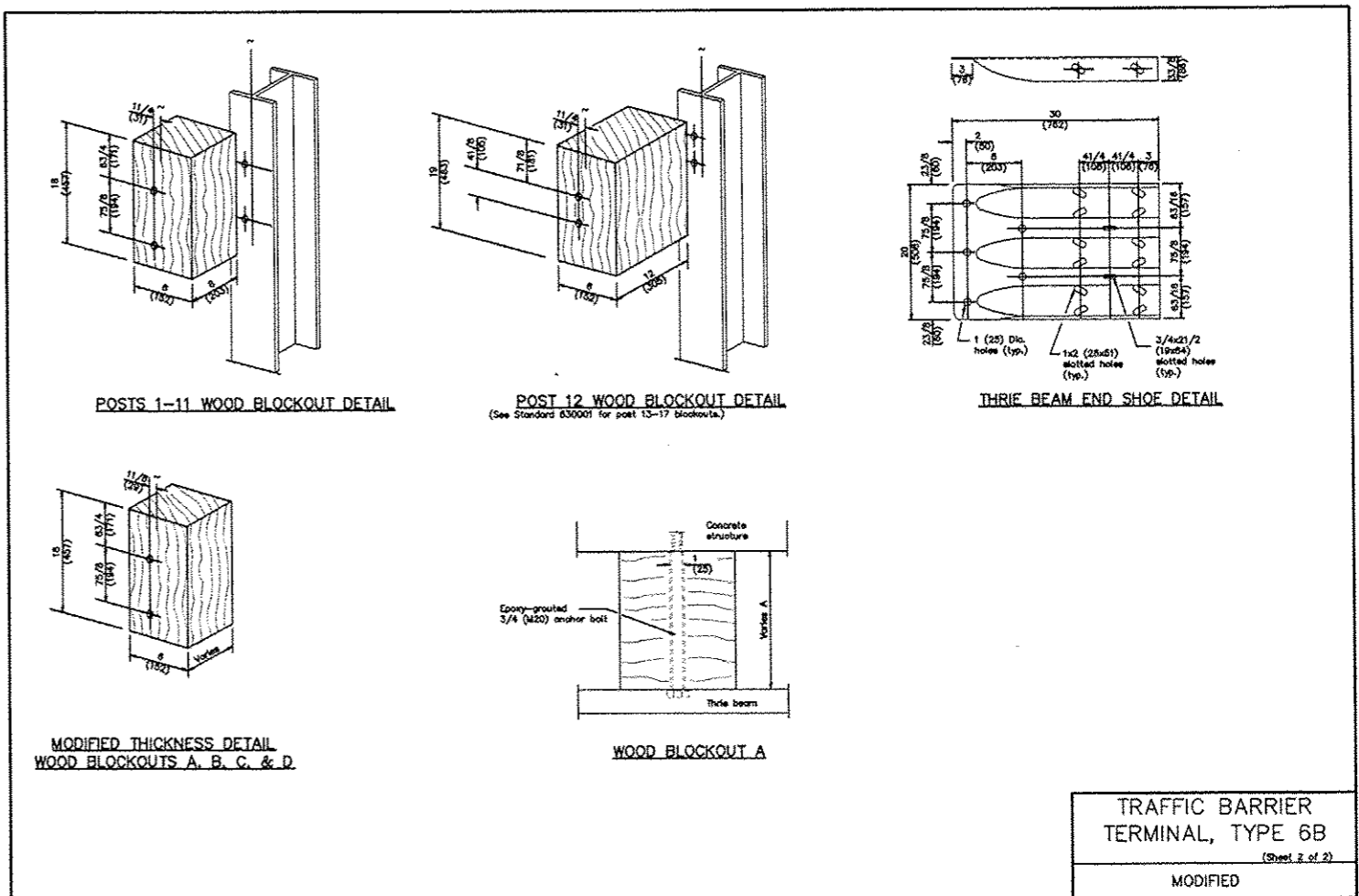
COUNTY	SECTION	HWY.NO.	SHEET NO.
LASALLE	15-00326-00-WR	29	15 of 16

Contract # 87566



**GENERAL NOTES**  
 See Standard 630001 for details of guardrail not shown.  
 Thrie beam roll shall be bolted to block-out at all posts.  
 All slope ratios are expressed as units of vertical displacement to units of horizontal displacement (V:H).  
 All dimensions are in inches (millimeters) unless otherwise shown.

**TRAFFIC BARRIER TERMINAL, TYPE 6B**  
 (Sheet 1 of 2)  
 MODIFIED



**TRAFFIC BARRIER TERMINAL, TYPE 6B**  
 (Sheet 2 of 2)  
 MODIFIED

**DETAILS**