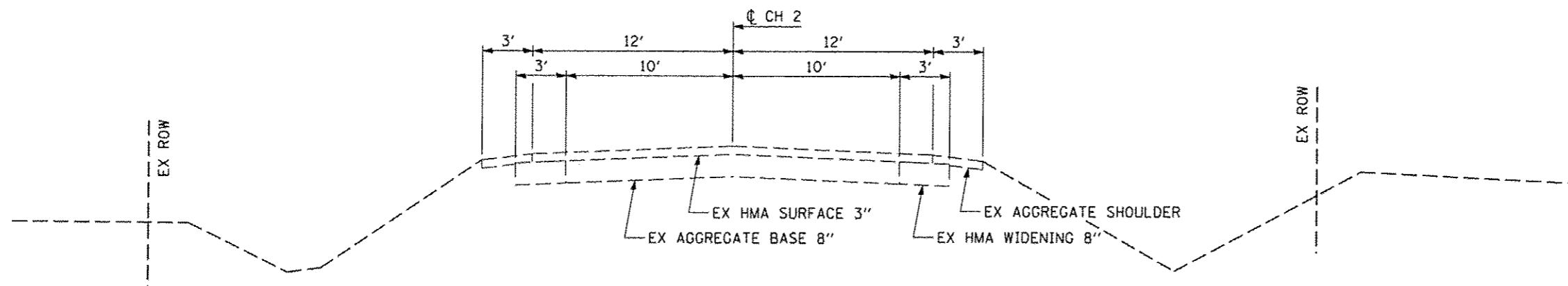


• EX BASE CONSISTS OF 4 1/2" PULVERIZED HMA AND AGGREGATE ON 7" AGGREGATE BASE

**EXISTING CH 2 TYPICAL CROSS SECTION**  
STA 12+16.90 TO STA 14+76.90

**BRIDGE & APPROACHES OMISSION**  
STA 65+21.18 TO STA 82+25.18



**EXISTING CH 2 TYPICAL CROSS SECTION**  
STA 10+74.24 TO STA 12+16.90  
STA 14+76.90 TO STA 65+21.18

\*93614