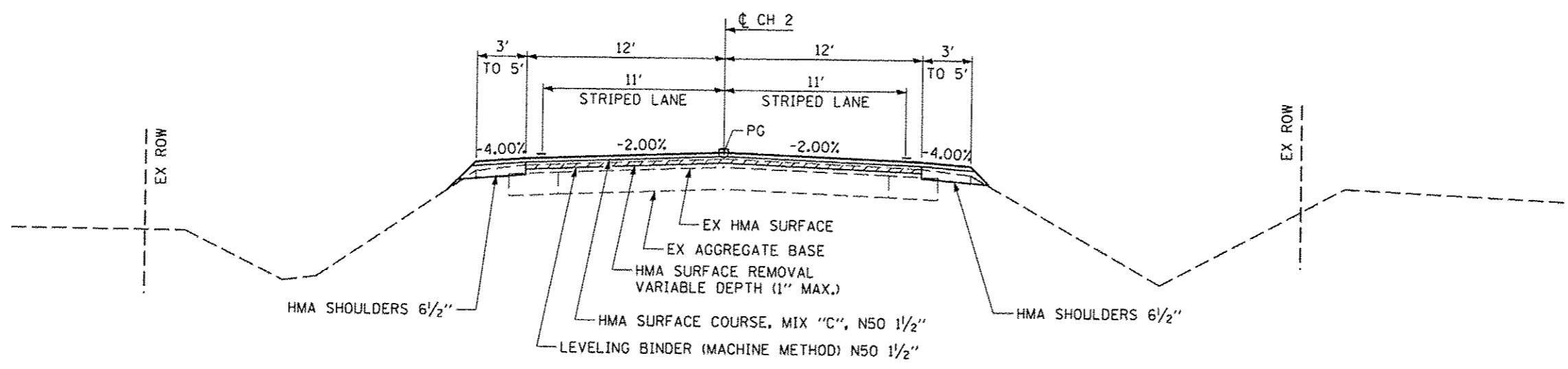


PROPOSED CH 2 TYPICAL CROSS SECTION
STA 12+04.00 TO STA 14+72.71

ITEMS TO BE REMOVED
CURB & GUTTER REMOVAL
PAVEMENT REMOVAL



PROPOSED CH 2 TYPICAL CROSS SECTION
STA 10+74.24 TO STA 12+04.00

* 93614

CEC Cummins Engineering Corporation <small>Civil and Structural Engineering</small>	JOB # 2298	DESIGNED - NAK	REVISED -	LOGAN COUNTY CH 2 IMPROVEMENTS	TYPICAL CROSS SECTIONS			RTE.	SECTION	COUNTY	TOTAL SHEETS	SHEET NO.
	FILE NAME * 2298.txd	DRAWN - SJS	REVISED -					CH 2	11-00311-02-RS	LOGAN	37	9
	PLOT SCALE * 8.0000' / IN.	CHECKED - NAK	REVISED -		SCALE: SHEET NO. OF SHEETS STA. TO STA.			FED. ROAD DIST. NO. [ILLINOIS] FED. AID PROJECT		CONTRACT NO. *		
	PLOT DATE * 1/28/2014	DATE - 11/28/2012	REVISED -									