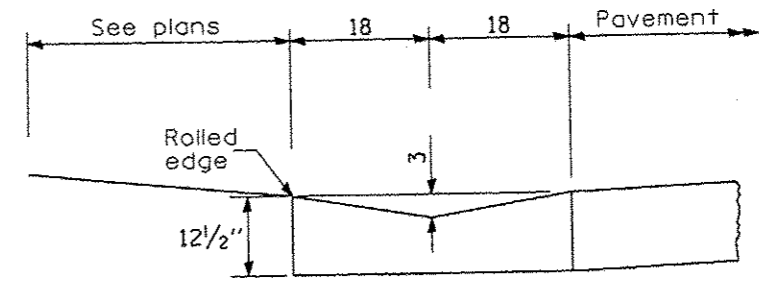
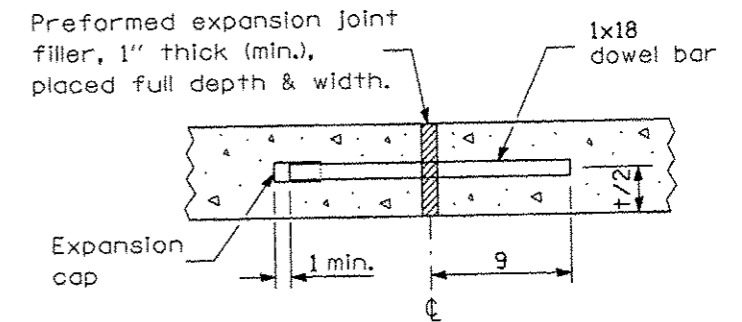


PLAN

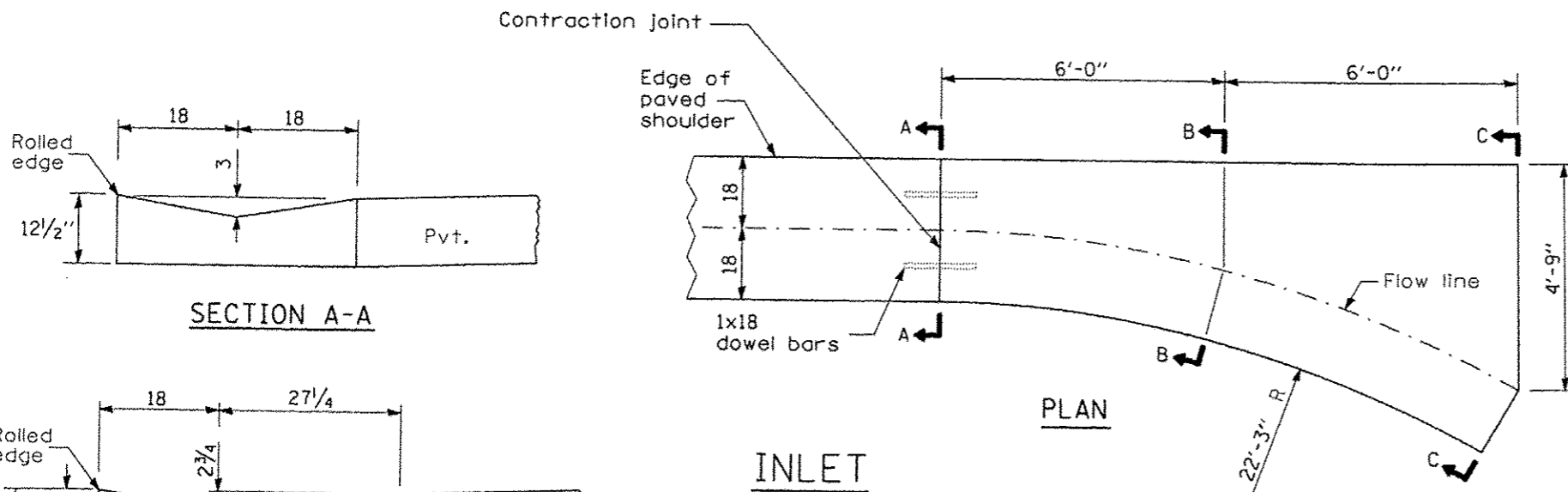
TYPE A GUTTER (MODIFIED)



SECTION D-D



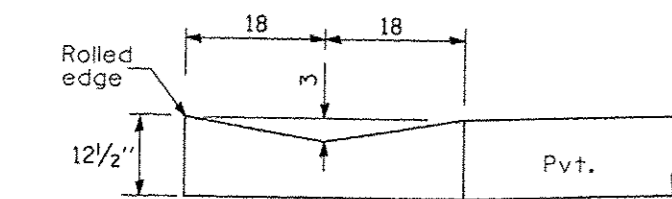
EXPANSION JOINT



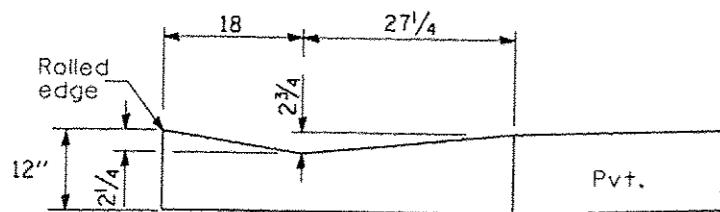
PLAN

INLET

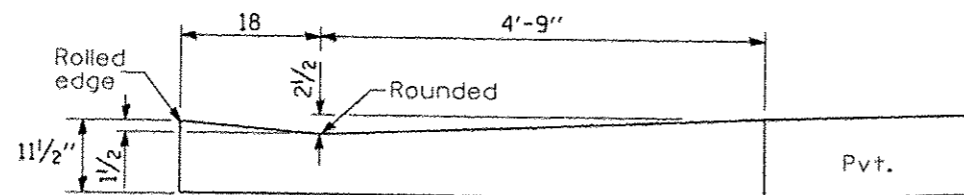
QUANTITY OF CONCRETE  
Section A-A to C-C  
1.73 cu. yd.



SECTION A-A



SECTION B-B



SECTION C-C

**TYPE A GUTTER (SPECIAL)  
(INLET, OUTLET & ENTRANCE)**

**CEC** Cummins  
Engineering  
Corporation  
Civil and Structural Engineering

JOB - 2298  
FILE NAME - 2298duster.dgn  
PLOT SCALE - 2.476 1/8" / IN.  
PLOT DATE - 18/31/2013

DESIGNED - NAK  
DRAWN - TSH  
CHECKED - NAK  
DATE - 8/7/2012

REVISED -  
REVISED -  
REVISED -  
REVISED -

**LOGAN COUNTY  
CH 2 IMPROVEMENTS**

**GUTTER DETAILS**

SCALE: SHEET NO. OF SHEETS STA. TO STA.

RTE.	SECTION	COUNTY	TOTAL SHEETS	SHEET NO.
CH 2	11-00311-02-RS	LOGAN	37	29
FED. ROAD DIST. NO.			ILLINOIS FED. AID PROJECT	
			CONTRACT NO. *	