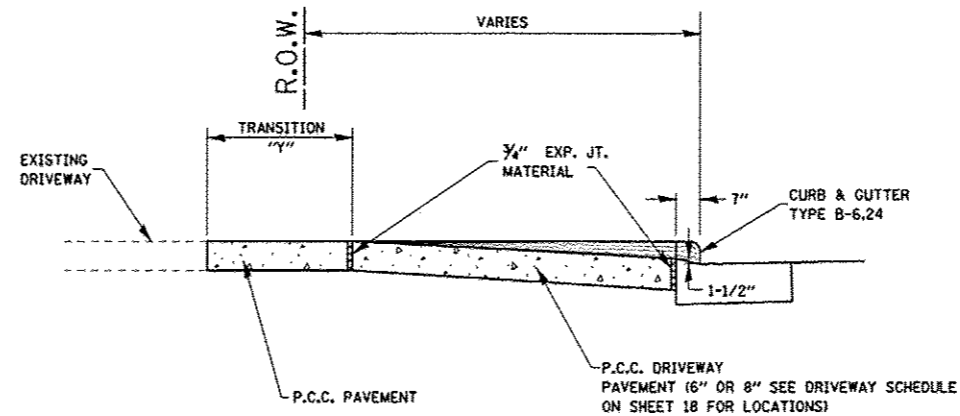
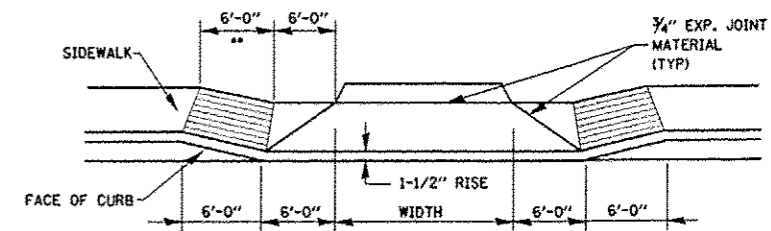


PLAN
N.T.S.



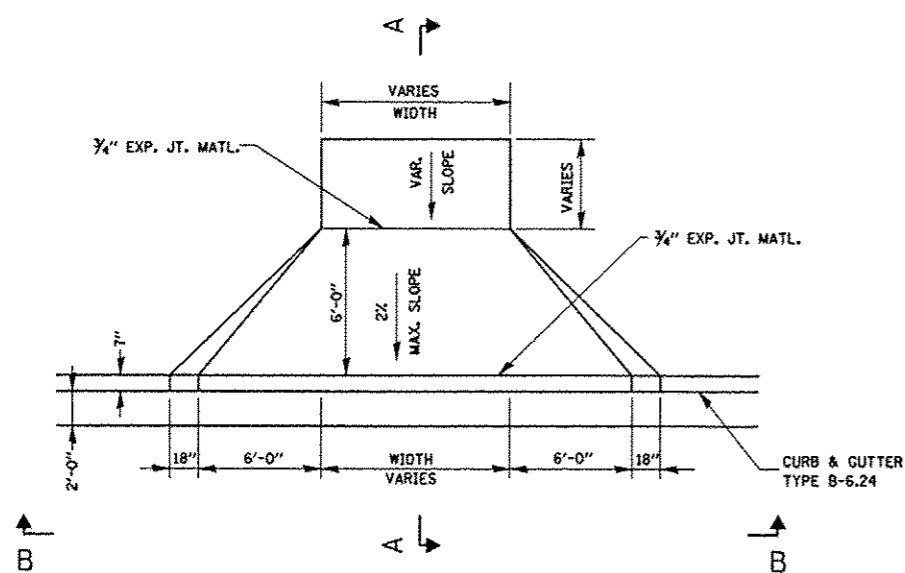
SECTION A-A
N.T.S.



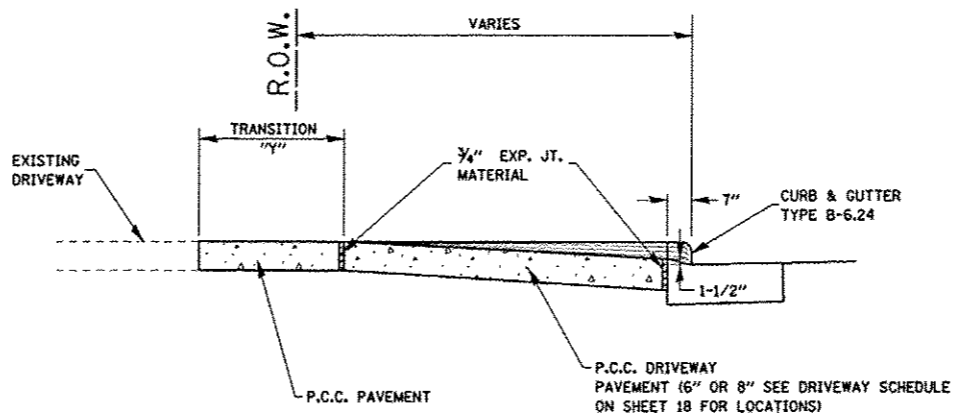
SECTION B-B
N.T.S.

DRIVEWAY ENTRANCE DETAIL
WITH ADJACENT SIDEWALK
N.T.S.

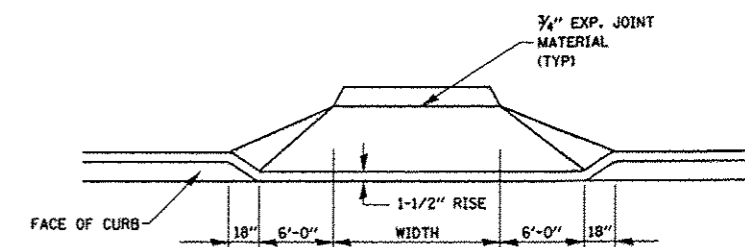
** SLOPE SIDEWALK AT A 12:1 MAXIMUM TO MATCH DRIVEWAY APRON ELEVATION (TYPICAL BOTH SIDES)



DRIVEWAY ENTRANCE DETAIL (C.E.)
N.T.S.



SECTION A-A
N.T.S.



SECTION B-B
N.T.S.

DRIVEWAY ENTRANCE DETAIL
WITHOUT ADJACENT SIDEWALK
N.T.S.

FILE NAME = entrance.details.dwg	USER NAME = romagh	DESIGNED - BFK	REVISED -	CITY OF MADISON BISSELL STREET	ENTRANCE DETAILS			F.A.U. RTE. = 9104	SECTION = 10-00058-00-PV	COUNTY = MADISON	TOTAL SHEETS = 53	SHEET NO. = 43				
	PLOT SCALE = 1/8"=1'-0"	DRAWN - RKR	REVISED -					SCALE: N.T.S.	SHEET NO. 1 OF 1 SHEETS	STA. TO STA.	ILLINOIS FED. AID PROJECT					
	PLOT DATE = 12/20/2013	CHECKED - BFK	REVISED -													
		DATE = 12/20/13	REVISED -													