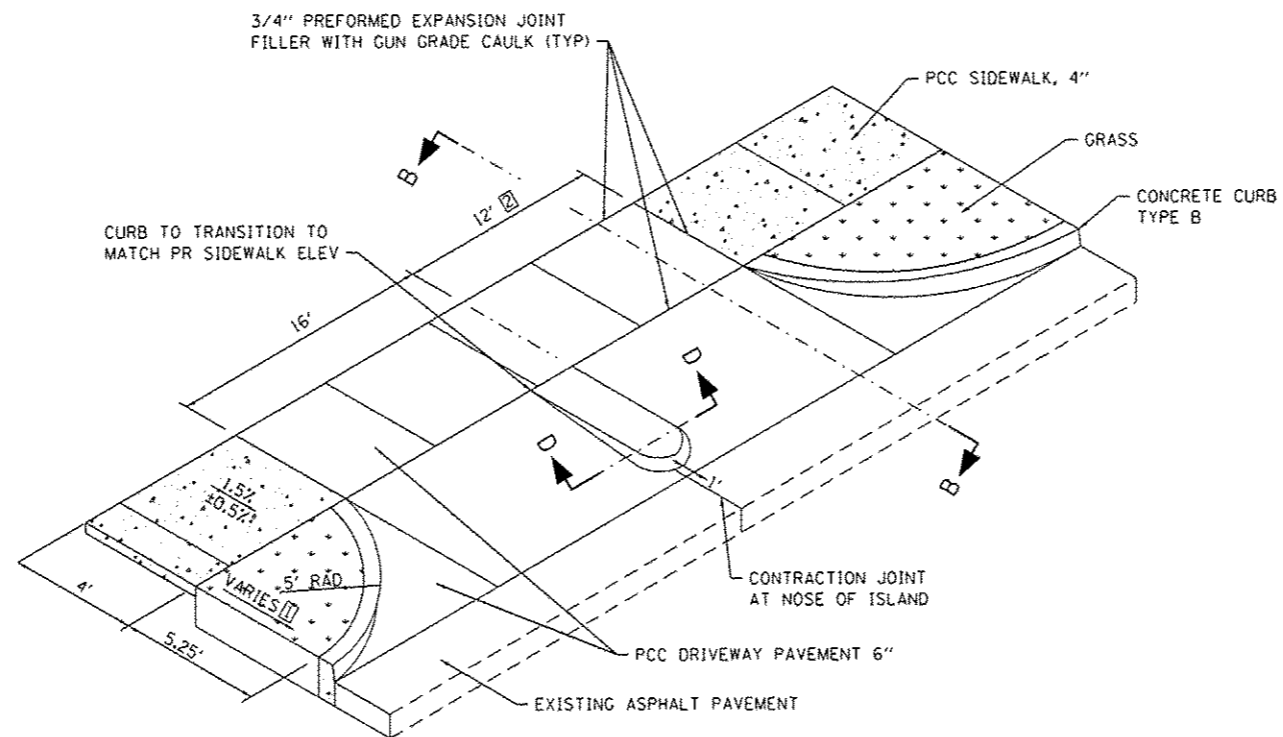


NOTES:

DRIVEWAY ISLAND TO BE INCLUDED
IN THE COST OF PCC DRIVEWAY
PAVT 6



NOTES:

- ① SEE CROSS SECTIONS FOR ADDITIONAL INFORMATION
- ② NORTH SIDE OF ISLAND TO MATCH VERTICAL FACE OF EX WALL

ENTRANCE DETAIL AT STATION 109+13
(NOT TO SCALE)

FILE NAME *	USER NAME * brandon.stermer	DESIGNED -	REVISED -	STATE OF ILLINOIS DEPARTMENT OF TRANSPORTATION	CONSTRUCTION DETAILS			F.A.U. RTE.	SECTION	COUNTY	TOTAL SHEETS	SHEET NO.
H:\P\11009\Microstation\CADD Sheets\081109\shl-details.dgn	DRAWN -	REVISED -	8887					11-00100-00-RS	MADISON	42	30	
PLOT SCALE = 48.0000' / 1" =	CHECKED -	REVISED -	M. UNION ST RESURFACING				CONTRACT NO. 97553					
PLOT DATE = 2/3/2014	DATE -	REVISED -	SCALE: N.T.S.		SHEET NO. 3 OF 4 SHEETS	STA	TO STA	CITY OF EDWARDSVILLE ILLINOIS FEDERAL AID PROJECT				