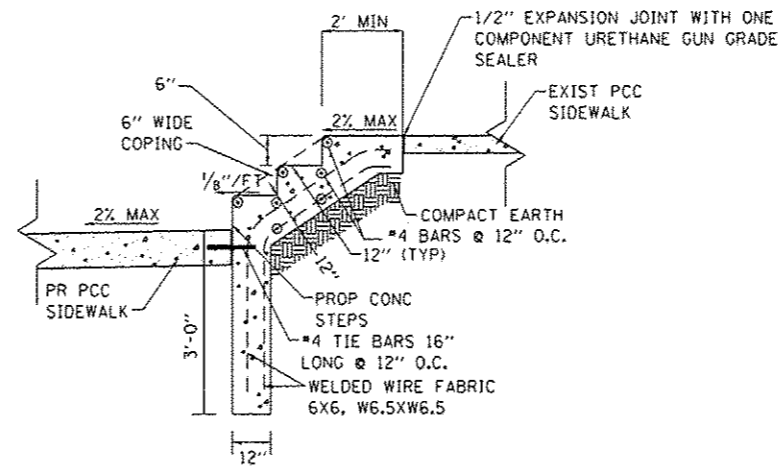


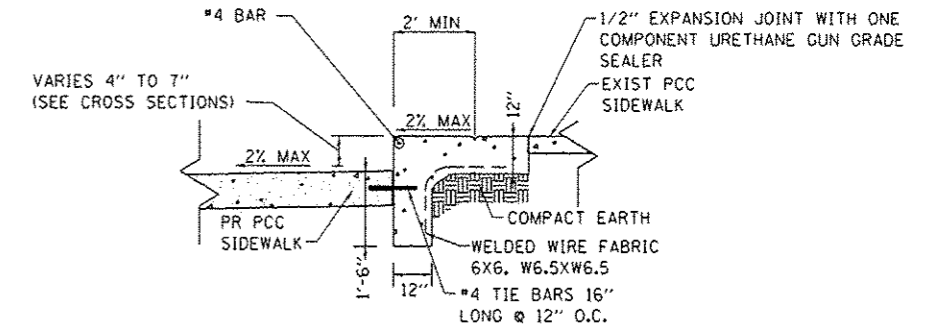
CONCRETE STEPS DETAIL

(NOT TO SCALE)
STA 122+48



CONCRETE STEPS DETAIL

(NOT TO SCALE)
STA 123+27



CONCRETE STEPS DETAIL

(NOT TO SCALE)
STA 104+48.5
STA 128+86

NOTES:

1. ALL EXCAVATION, GRADING, PREPARATION OF SUBGRADE, BACKFILLING, FURNISHING, AND PLACING ALL MATERIALS INCLUDING CONCRETE, REINFORCEMENT, EXPANSION JOINTS, AND SEALANT SHALL BE INCLUDED IN THE COST FOR CONCRETE STEPS.
2. DIMENSIONS FROM TREAD TO TREAD AND RISER TO RISER SHALL NOT VARY BY MORE THAN 1/4" PER SET OF STEPS. PLAN DIMENSIONS SHALL BE VERIFIED IN THE FIELD PRIOR TO CONSTRUCTION.
3. REINFORCING BARS SHALL BE EPOXY COATED. REINFORCEMENT WILL NOT BE PAID FOR SEPARATELY.
4. CONCRETE STEPS SHALL BE CONSTRUCTED OF CLASS SI CONCRETE.
5. EXPANSION JOINT SHALL BE PLACED WHERE STAIRS ARE ADJACENT TO TO CONCRETE LANDING AND IN JOINT WITH EX CONC SIDEWALK

FILE NAME * H:\P\11089\Microstation\CA00 Sheets\0811089-shi-details.dgn	USER NAME * brandon.patermann	DESIGNED -	REVISED -	STATE OF ILLINOIS DEPARTMENT OF TRANSPORTATION	CONSTRUCTION DETAILS			F.A.U. RTE. 8887	SECTION 11-00100-00-RS	COUNTY MADISON	TOTAL SHEETS 42	SHEET NO. 31	
	PLOT SCALE * 40.0000' / 1"	CHECKED -	REVISED -					SCALE: N.T.S.	SHEET NO. 4 OF 4 SHEETS	STA TO STA	W. UNION ST RESURFACING		CONTRACT NO. 97553
	PLOT DATE * 2/3/2014	DATE -	REVISED -					CITY OF EDWARDSVILLE ILLINOIS/FEDERAL AID PROJECT					