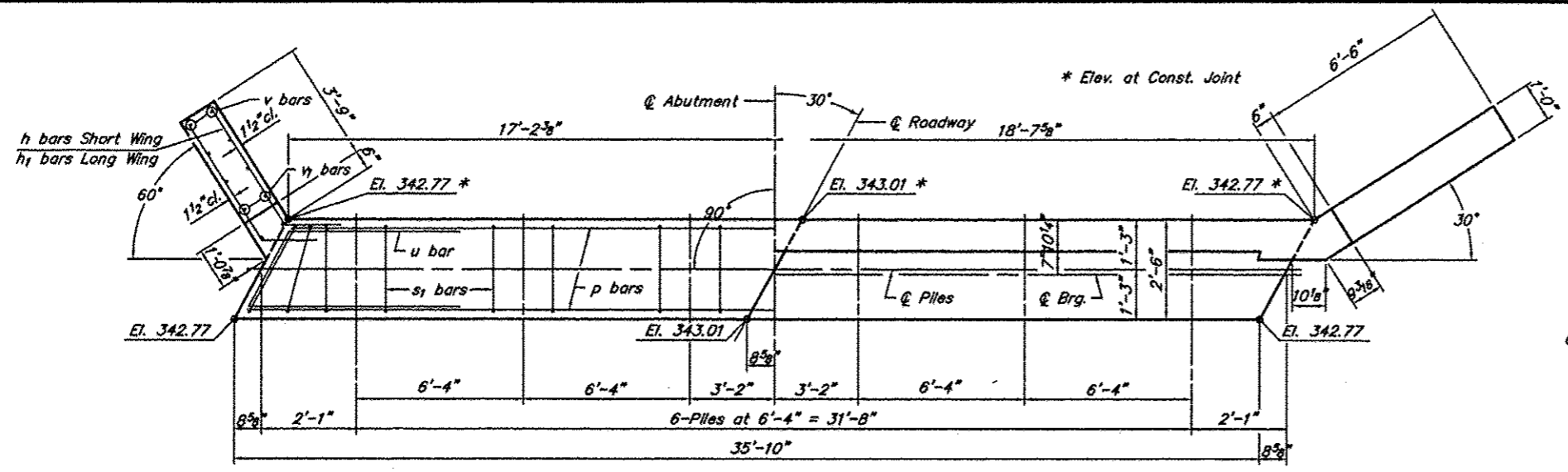
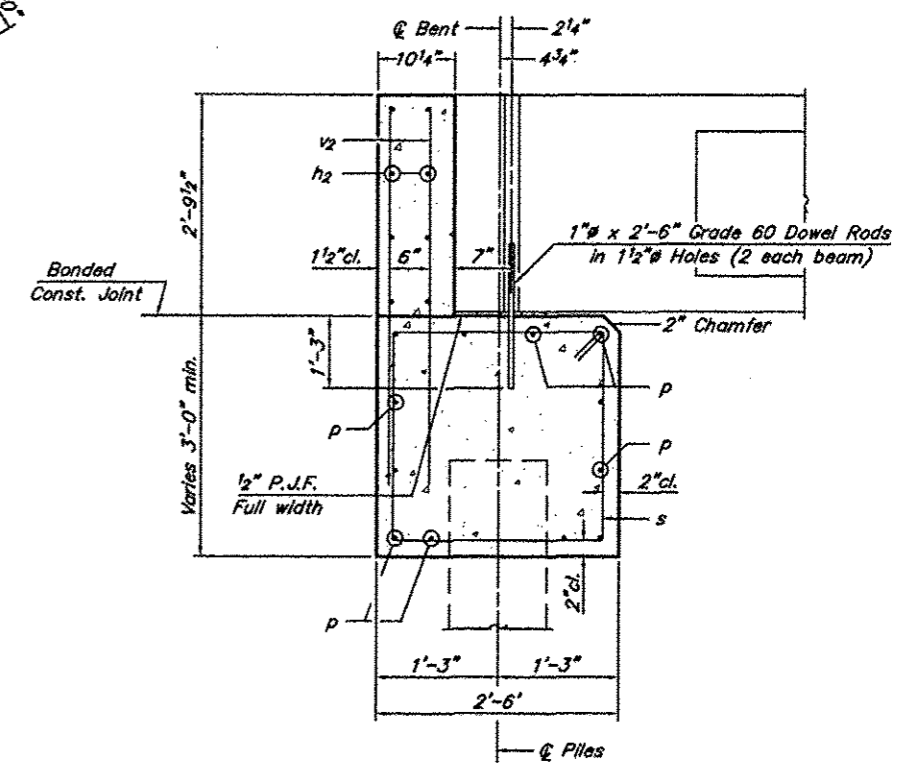


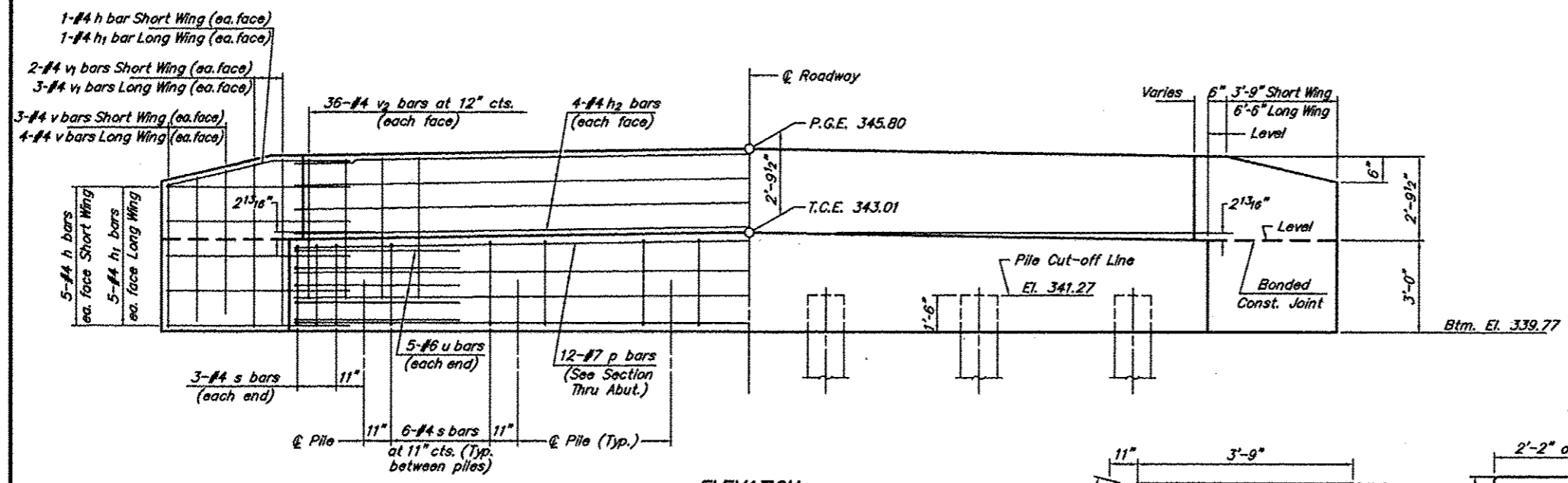
ROUTE	SECTION	COUNTY	TOTAL SHEETS	SHEET NO
CH 1	10-00087-00-BR	MASSAC	11	6
PROJECT NO. BROS-127(21)		CONTRACT NO. 99518		



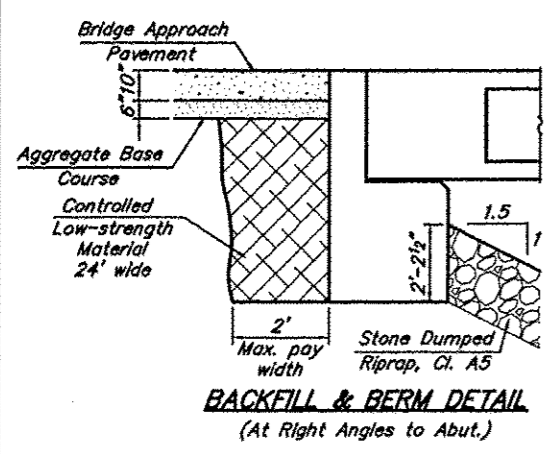
PLAN



SECTION THRU ABUT.
(At Right Angles)



ELEVATION



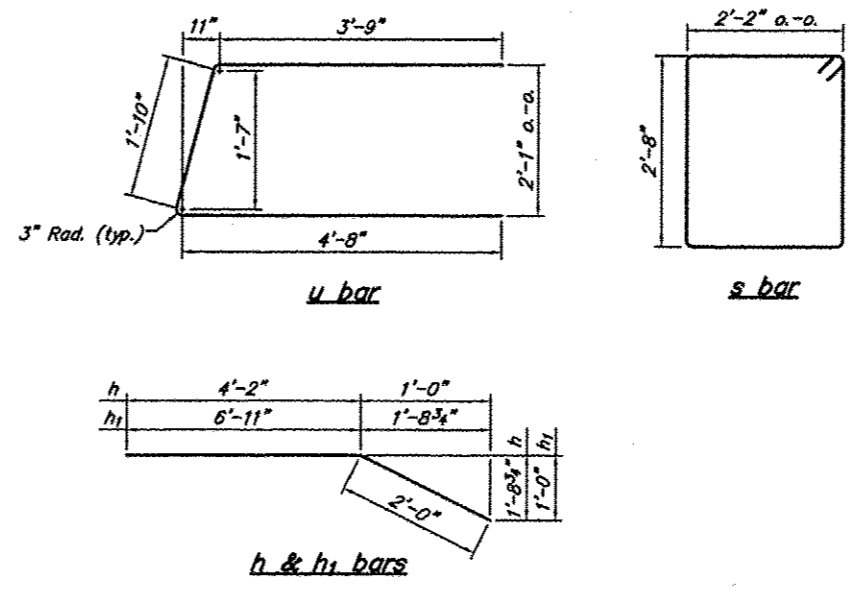
BACKFILL & BERM DETAIL
(At Right Angles to Abut.)

NOTES

- The Backwall and the portion of the Wingwalls above the bonded construction joint shall be cast against the in-place beam.
- Reinforcement bars shall conform to A.A.S.H.T.O. M-31, M-42 or M-53, Grade 60.

DESIGN STRESSES

$f'_c = 3,500 \text{ psi}$
 $f_y = 60,000 \text{ psi}$



BILL OF MATERIAL FOR ONE ABUTMENT

Bar	No.	Size	Length	Shape
h	12	#4	6'-2"	┌───┐
h1	12	#4	8'-11"	┌───┐
h2	8	#4	35'-6"	┌───┐
p	12	#7	35'-6"	┌───┐
s	27	#4	10'-5"	□
u	10	#6	11'-1"	┌───┐
v	14	#4	5'-1"	┌───┐
v1	10	#4	5'-5"	┌───┐
v2	72	#4	4'-5"	┌───┐
Concrete Structures			16.0	Cu. Yds.
Reinforcement Bars			1,894.5	Lbs.

ABUTMENT
COUNTY HIGHWAY 1 (NEW COLUMBIA ROAD)
NEW COLUMBIA DITCH
SECTION 10-00087-00-BR
MASSAC COUNTY
STRUCTURE NO. 064-3146