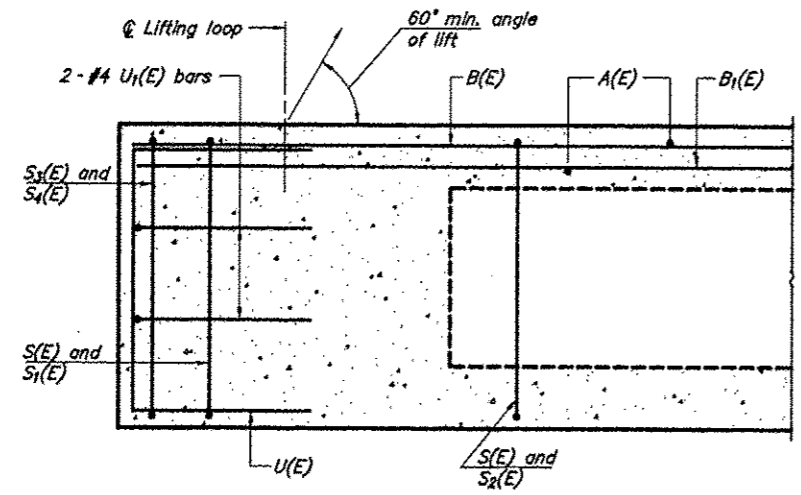
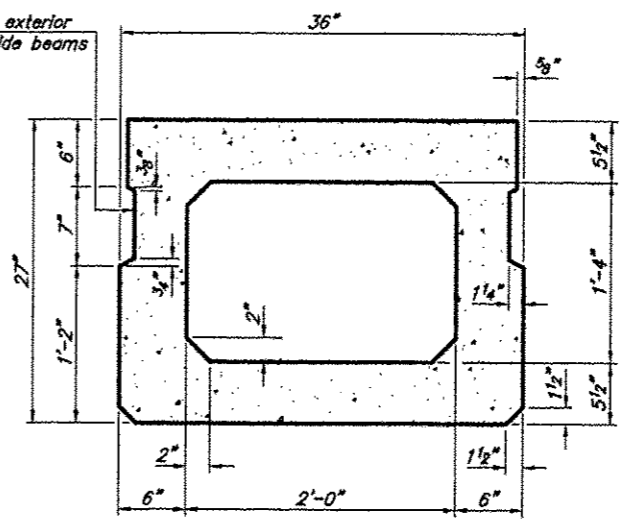


ROUTE	SECTION	COUNTY	TOTAL SHEETS	SHEET NO
TR 3	10-01163-00-BR	ALEXANDER	12	4
PROJECT NO. BROS-0003(125)			CONTRACT NO. 99521	

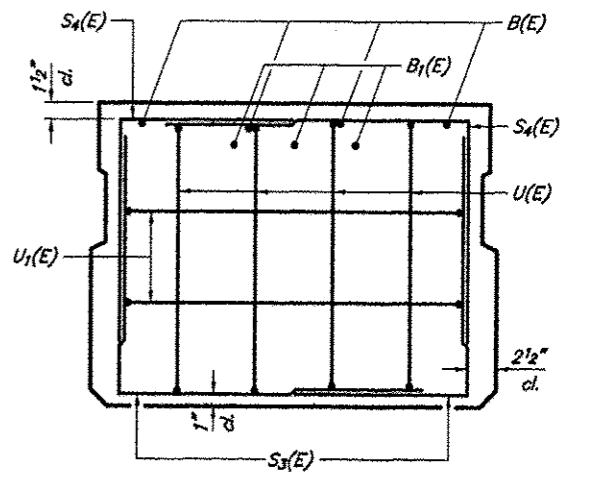


**SECTION C-C**

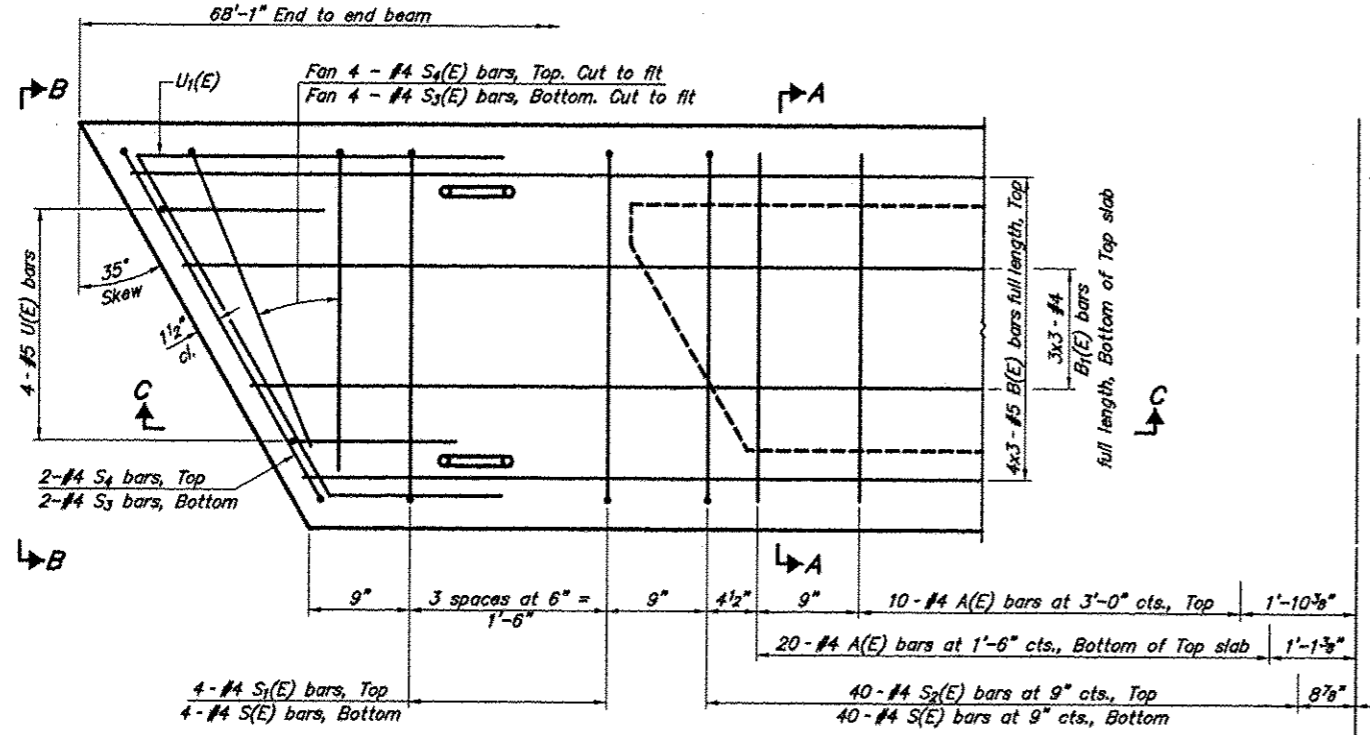
Omit key on exterior face of outside beams



**SECTION A-A**  
(Showing dimensions)

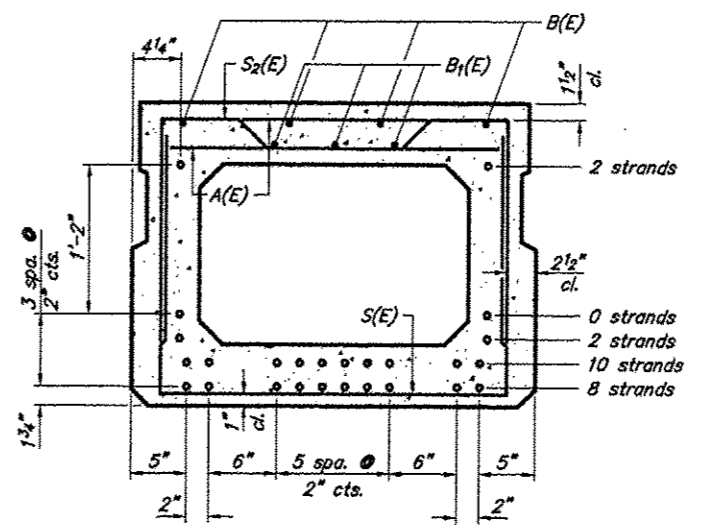


**VIEW B-B**



**PLAN VIEW**

Note: Spacing of S(E) and S2(E) bars may be adjusted up to 4" in the immediate area of the transverse tie diaphragms to miss the block outs for the transverse ties.



**SECTION A-A**

(Showing reinforcement and permissible strand locations)

Note: Place the number of strands specified in each row symmetrically about the centerline of beam in the permissible strand locations shown.

**BAR LIST**  
**ONE BEAM ONLY**  
(For Information only)

Bar	No.	Size	Length	Shape
A(E)	60	#4	2'-7"	—
B(E)	12	#5	24'-0"	—
B1(E)	9	#4	23'-8"	—
S(E)	89	#4	6'-5"	┌
S1(E)	8	#4	5'-11"	┌
S2(E)	81	#4	6'-2"	┌
S3(E)	12	#4	4'-4"	┌
S4(E)	12	#4	4'-1"	┌
U(E)	8	#5	4'-6"	┌
U1(E)	4	#4	7'-4"	┌

Bars noted thus 4x3-#5 etc. indicates 4 lines of bars with 3 lengths per line.

**MINIMUM BAR LAP**  
#4 bar = 1'-8"  
#5 bar = 2'-2"

27" X 36" PPC DECK BEAM  
TOWNSHIP ROUTE 3 (COUNTY LINE ROAD)  
TRIBUTARY TO COOPER CREEK  
SECTION 10-01163-00-BR  
ALEXANDER COUNTY  
STRUCTURE NO. 002-3111