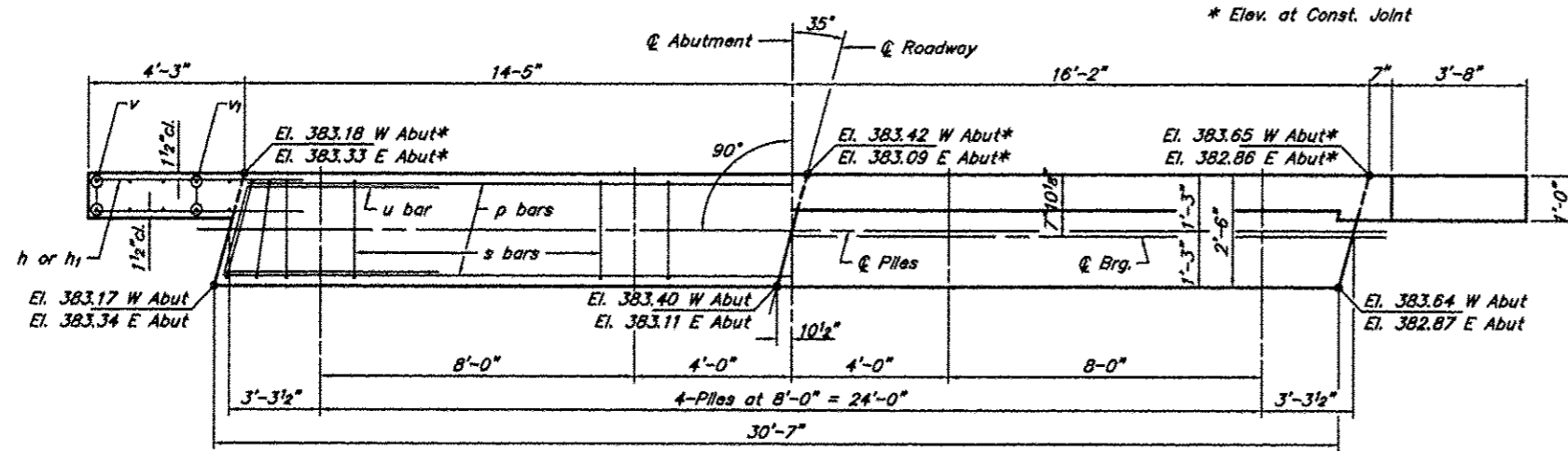
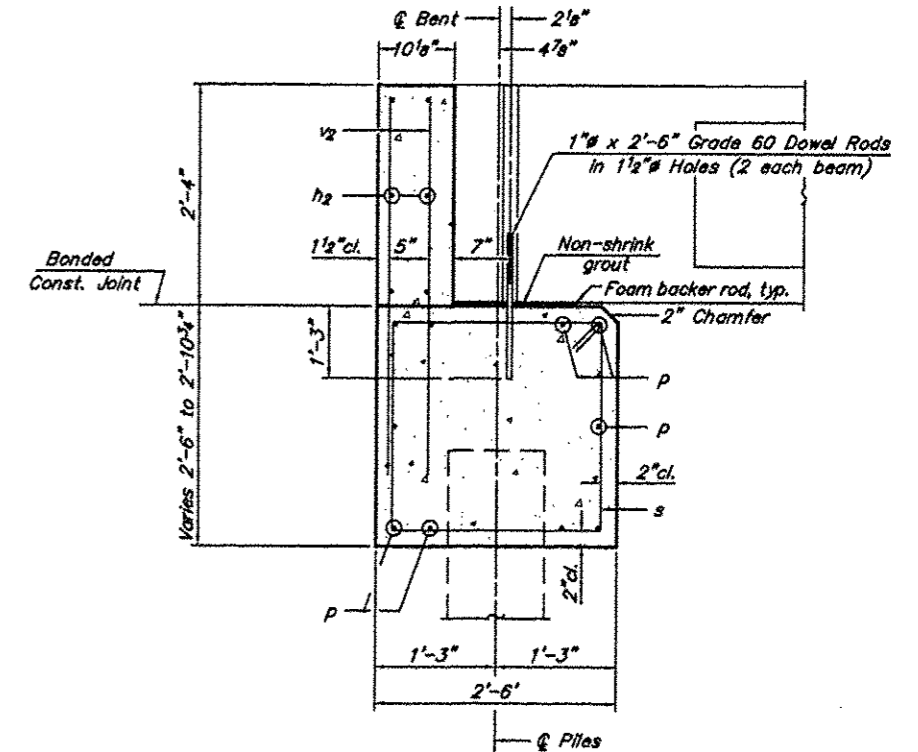


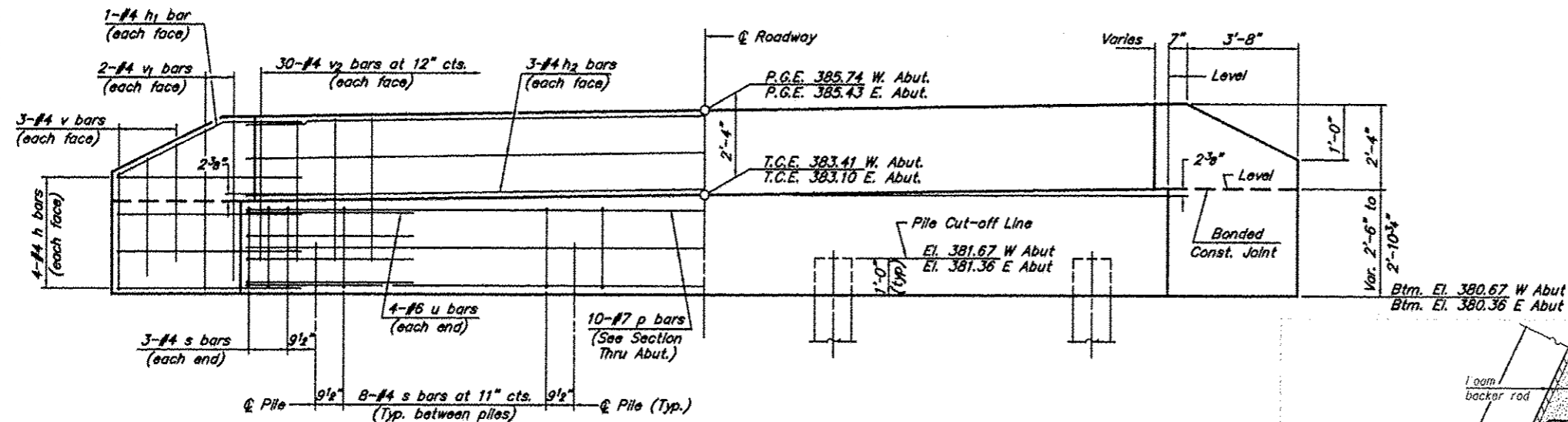
| | | | | |
|----------------------------|----------------|-----------|--------------------|----------|
| ROUTE | SECTION | COUNTY | TOTAL SHEETS | SHEET NO |
| TR 3 | 10-01163-00-BR | ALEXANDER | 12 | 8 |
| PROJECT NO. BROS-0003(125) | | | CONTRACT NO. 99521 | |



PLAN



SECTION THRU ABUT.
(At Right Angles)



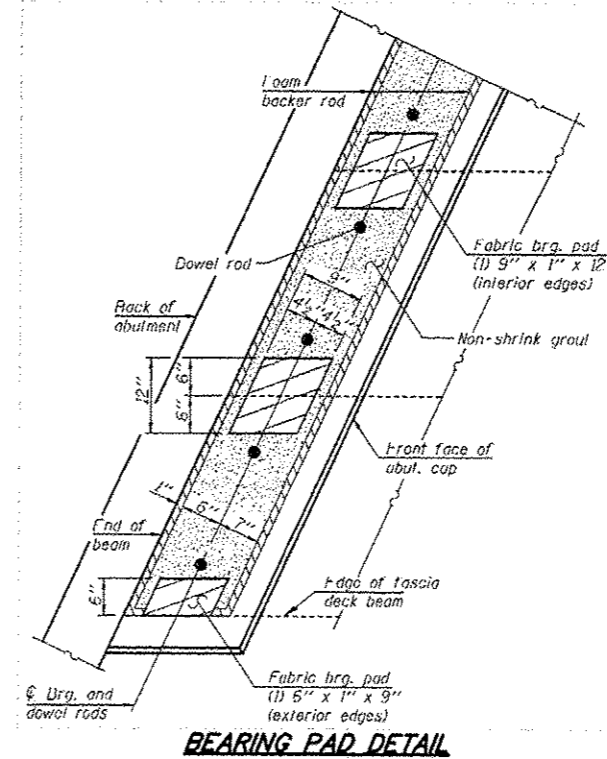
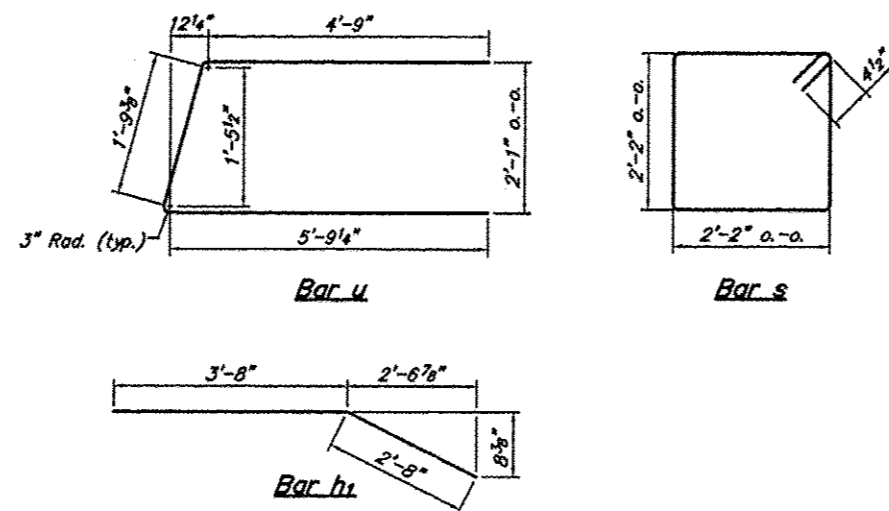
ELEVATION

NOTES

- The Backwall and the portion of the Wingwalls above the bonded construction joint shall be cast against the in-place beam.
- Reinforcement bars shall conform to A.A.S.H.T.O. M-31, M-42 or M-53, Grade 60.

DESIGN STRESSES

$f'_c = 3,500 \text{ psi}$
 $f_y = 60,000 \text{ psi}$



BILL OF MATERIAL FOR ONE ABUTMENT

| Bar | No. | Size | Length | Shape |
|---------------------|-----|------|--------|----------|
| h | 16 | #4 | 6'-4" | — |
| h1 | 4 | #4 | 6'-4" | — |
| h2 | 6 | #4 | 30'-3" | — |
| P | 10 | #7 | 30'-3" | — |
| s | 30 | #4 | 9'-5" | □ |
| u | 8 | #6 | 13'-1" | — |
| v | 12 | #4 | 3'-9" | — |
| v1 | 8 | #4 | 4'-7" | — |
| v2 | 60 | #4 | 4'-0" | — |
| Concrete Structures | | | 11.5 | Cu. Yds. |
| Reinforcement Bars | | | 1,383 | Lbs. |

ABUTMENT
TOWNSHIP ROUTE 3 (COUNTY LINE ROAD)
TRIBUTARY TO COOPER CREEK
SECTION 10-01163-00-BR
ALEXANDER COUNTY
STRUCTURE NO. 002-3111