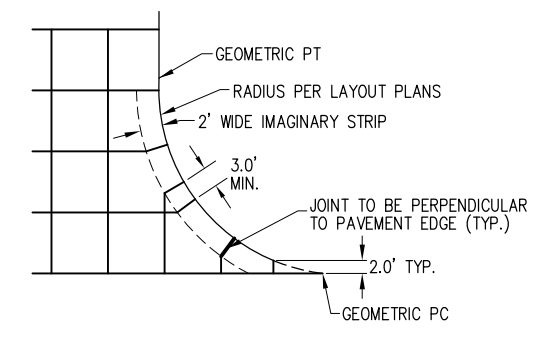
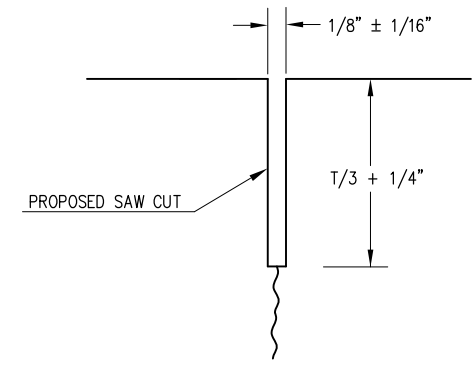
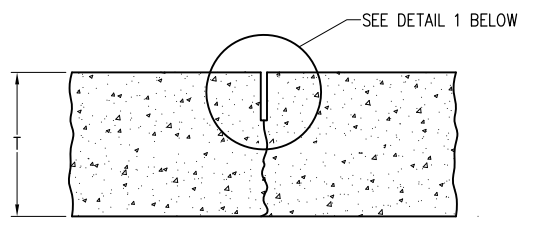


**LEGEND**

	EXISTING BUILDING
	PROPOSED IMPROVEMENTS
	EXISTING LIGHT POLE/ POLE-MOUNTED LIGHT



MATCHLINE - SEE NEXT SHEET

REVISION



Hanson Proj. No. 13A0013	Date 02/28/14
Filename C-131-JNT.dwg	Scale 1" = 20'
LAYOUT BSS 02/10/14	DRAWN BSS 02/10/14
REVIEWED JDW 02/18/14	

**HANSON**  
 Copyright Hanson Professional Services Inc. 2014  
**Hanson Professional Services Inc.**  
 1525 South Sixth Street  
 Springfield, Illinois 62703-2886  
 Ph: (217) 788-2450 Fax: (217) 788-2503  
 www.hanson-inc.com  
 Offices Nationwide

REHABILITATE TERMINAL  
 AUTO PARKING LOT

PROPOSED JOINTING  
 PLAN