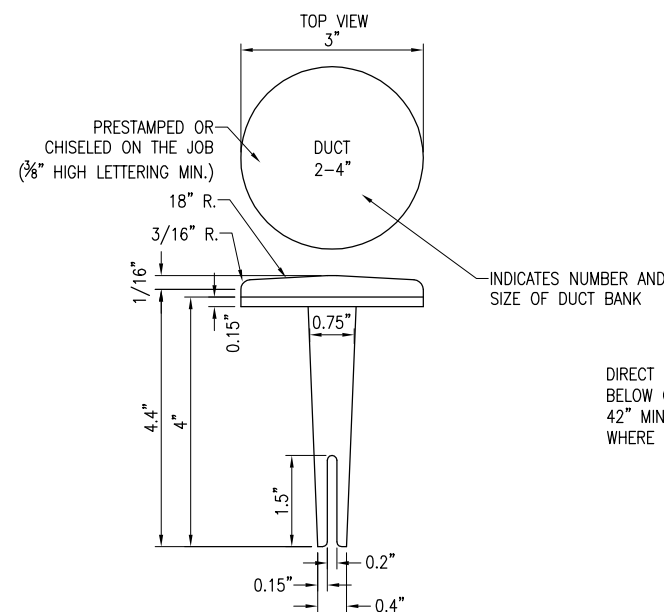


**SOUTHERN ILLINOIS
AIRPORT**

**MURPHYSBORO /
CARBONDALE,
ILLINOIS**

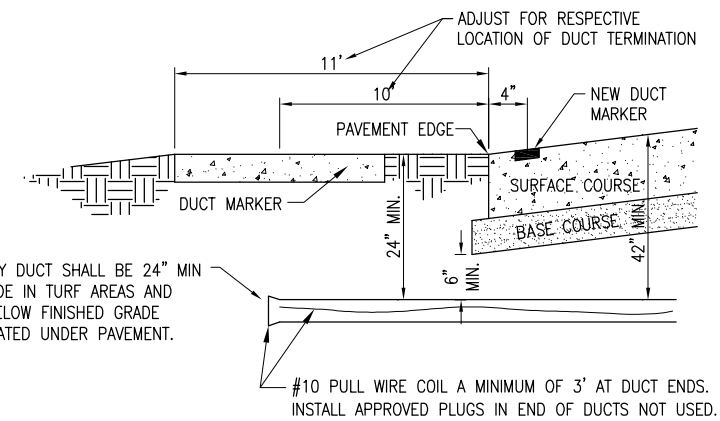
CABLE & DUCT MARKER NOTES:

1. THE COST OF ALL TURF AND PAVEMENT DUCT MARKERS SHALL BE INCIDENTAL TO THE DUCT. THE COST OF ALL CABLE MARKERS SHALL BE INCIDENTAL TO THE CABLE.
2. BITUMINOUS PAVEMENT DUCT MARKER AND CONCRETE DUCT MARKER TO BE PROVIDED AT EACH END OF EACH DUCT AS SHOWN ON THE LOCATION PLAN. FOR CONCRETE PAVEMENT, THE LETTER "D" SHALL BE IMPRESSED IN THE PAVEMENT INSTEAD OF THE MARKER. THE LETTER SHALL BE FORMED AS DESCRIBED IN NOTE 4.
3. CABLE MARKERS SHALL BE PLACED AT CHANGES OF DIRECTION AND APPROXIMATELY EVERY 200' ALONG CABLE RUNS.
4. CONCRETE CABLE MARKERS AND DUCT MARKERS SHALL HAVE LETTERS 4" HIGH, 3" WIDE WITH WIDTH OF STROKE 1/2" AND 1/4" DEEP. ALL LETTERS, NUMBERS AND ARROWS TO BE IMPRESSED.
5. EMPLOY THE FOLLOWING METHODS WHERE ADDITIONAL SPACE TO FIT THE LEGEND IS REQUIRED:
 - A. REDUCE LETTER SIZE TO 3" HIGH, 2" WIDE.
 - B. INCREASE THE MARKER SIZE TO 30" X 30".
 - C. PROVIDE ADDITIONAL MARKERS PLACED SIDE BY SIDE.

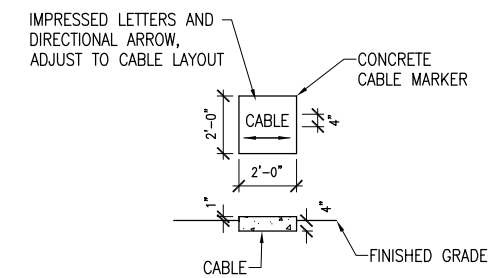


BITUMINOUS PAVEMENT DUCT MARKERS
"NOT TO SCALE"

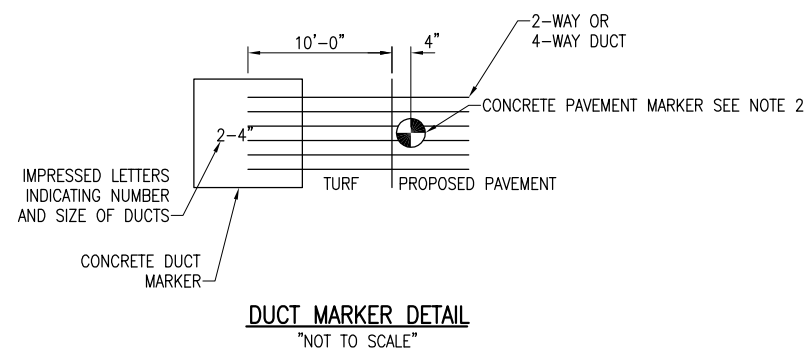
- NOTES:**
1. TOP OF MARKER SHALL BE FLUSH WITH FINISHED PAVEMENT SURFACE. MARKER MAY BE INSTALLED IN A DRILLED HOLE AND SECURED WITH EPOXY GLUE.



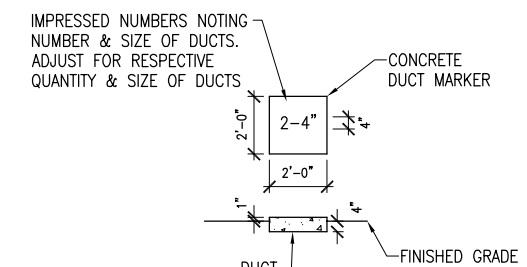
UNDERGROUND ELECTRICAL DUCT
(NOT TO SCALE)



TURF CABLE MARKERS
"NOT TO SCALE"



DUCT MARKER DETAIL
"NOT TO SCALE"



TURF DUCT MARKERS
"NOT TO SCALE"

REMOVE TAXIWAY D

IDA No: MDH-4304

Contract No:

SBG No: SBG-TBD

NO.	DATE	DESCRIPTION		
		LAY	DWN	REV

ISSUE: MARCH 07, 2014
PROJECT NO: 13A0083D
CAD FILE: E-504-DETL.DWG
LAYOUT BY: KNL 02/25/2014
DRAWN BY: CWS 02/25/2014
REVIEWED BY: JSL 03/05/2014
© Copyright Hanson Professional Services Inc. 2014
SHEET TITLE

**ELECTRICAL AND
DUCT DETAILS**