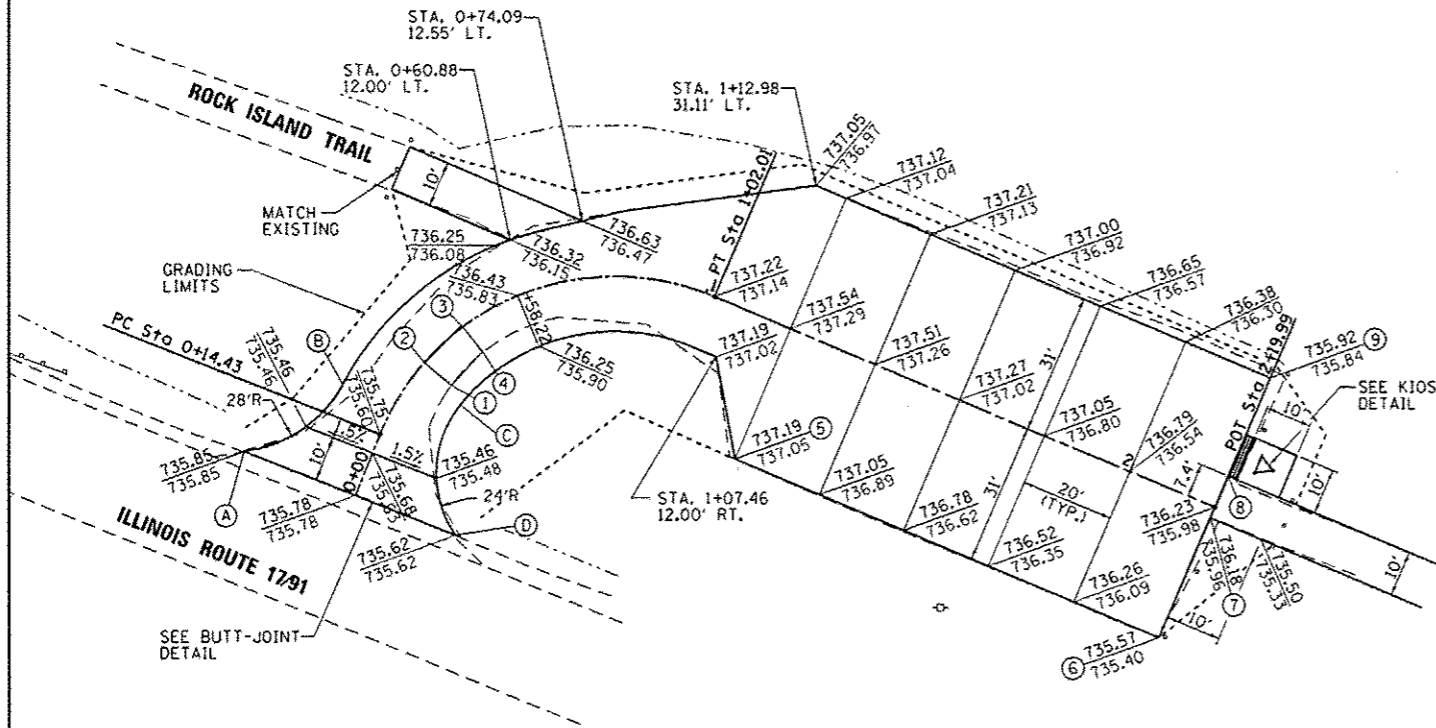
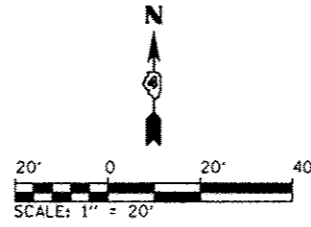
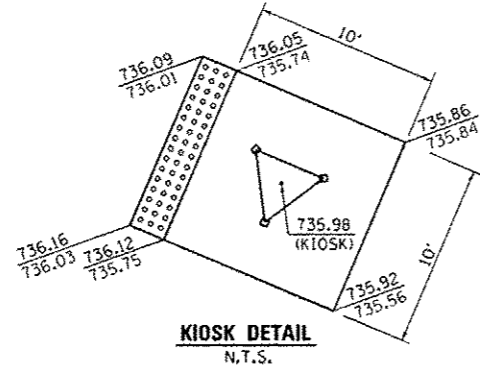


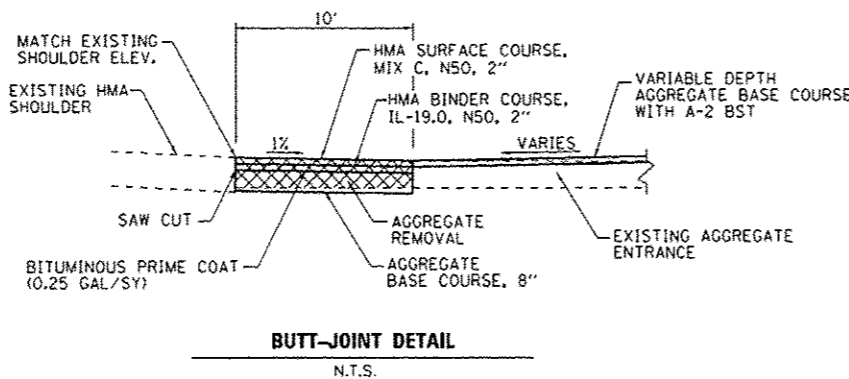
PROPOSED ENTRANCE CURVE DATA
 PI STA. = 0+70.63
 $\Delta = 91^\circ 14' 15''$ (RT)
 $D = 104^\circ 10' 27''$
 $R = 55.00'$
 $T = 56.20'$
 $L = 87.58'$
 $E = 23.64'$
 P.C. STA = 0+14.43
 P.T. STA = 1+02.01



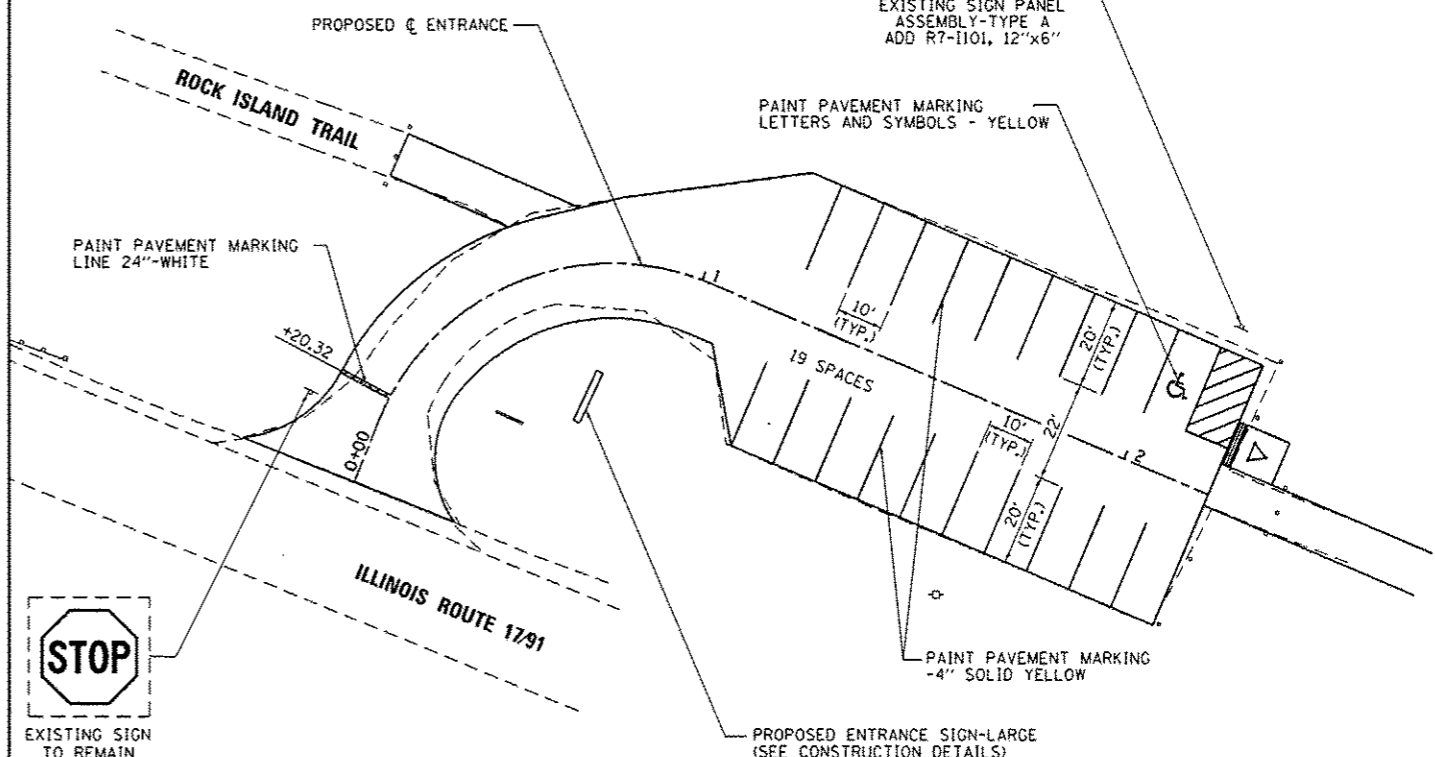
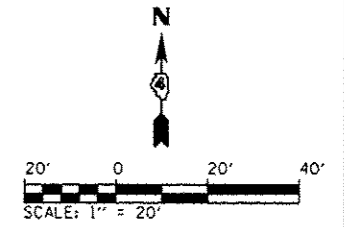
LEGEND
 736.01 → PROPOSED ELEVATION
 735.84 ← EXISTING ELEVATION

PROPOSED RADIUS POINTS
 (A) STA. 0+00.00, 26.04' LT.
 (B) STA. 0+20.32, 12.00' LT.
 (C) STA. 0+30.64, 12.00' RT.
 (D) STA. 0+00.00, 23.48' RT.

COORDINATE LISTING			
POINT NO.	NORTHING	EASTING	DESCRIPTION
1	1610774.218	2386851.993	AGG. BASE
2	1610779.046	2386846.219	AGG. BASE
3	1610787.361	2386854.180	AGG. BASE
4	1610781.583	2386858.769	AGG. BASE
5	1610758.079	2386913.438	EOP
6	1610718.924	2387005.454	EOP
7	1610745.057	2387016.576	EOP
8	1610754.261	2387020.486	EOP
9	1610775.779	2387029.647	EOP



RELOCATE EXISTING SIGN PANEL ASSEMBLY-TYPE A ADD R7-1101, 12"x6"



NOTES:
 1. ALL DIAGONALS SHALL BE STRIPED WITH LINES AT 3' C-C WITH 45° ANGLE AS SHOWN ON PLANS.
 2. ALL DIMENSIONS ARE TO CENTER OF PAVEMENT MARKING LINE.
 3. FINAL LOCATION OF ENTRANCE SIGN SHALL BE AS DIRECTED BY THE ENGINEER.