

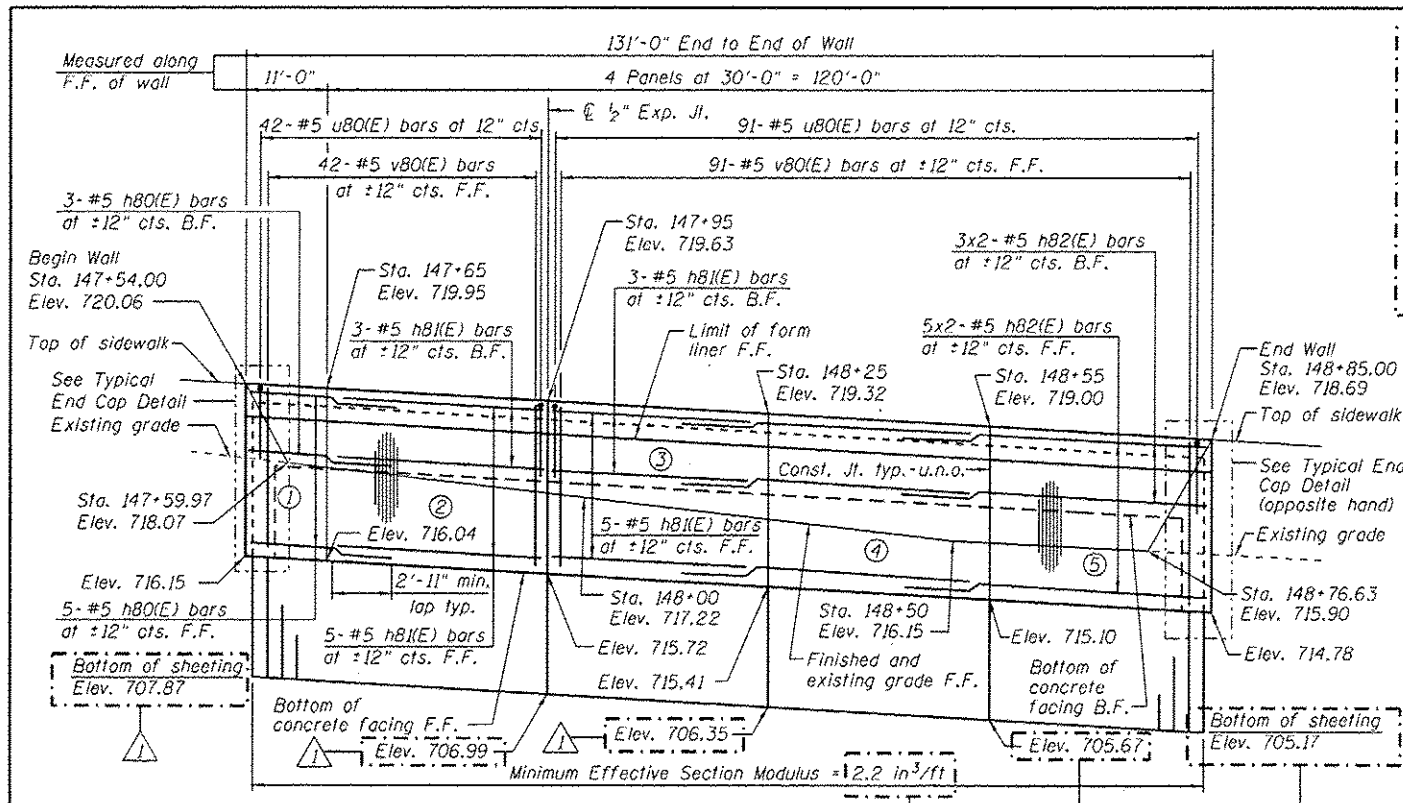
BILL OF MATERIAL

Bar	No.	Size	Length	Shape
h80(E)	8	#5	14'-3"	—
h81(E)	16	#5	29'-8"	—
h82(E)	16	#5	32'-11"	—
v80(E)	137	#5	3'-4"	—
u80(E)	143	#5	4'-10"	□
Structure Excavation			Cu. Yd.	44
Concrete Structures			Cu. Yd.	24.6
Form Liner Textured Surface			Sq. Ft.	337
Reinforcement Bars, Epoxy Coated			Pound	12,360
Permanent Sheet Piling			Sq. Ft.	1,624
Ornamental Railing			Foot	131

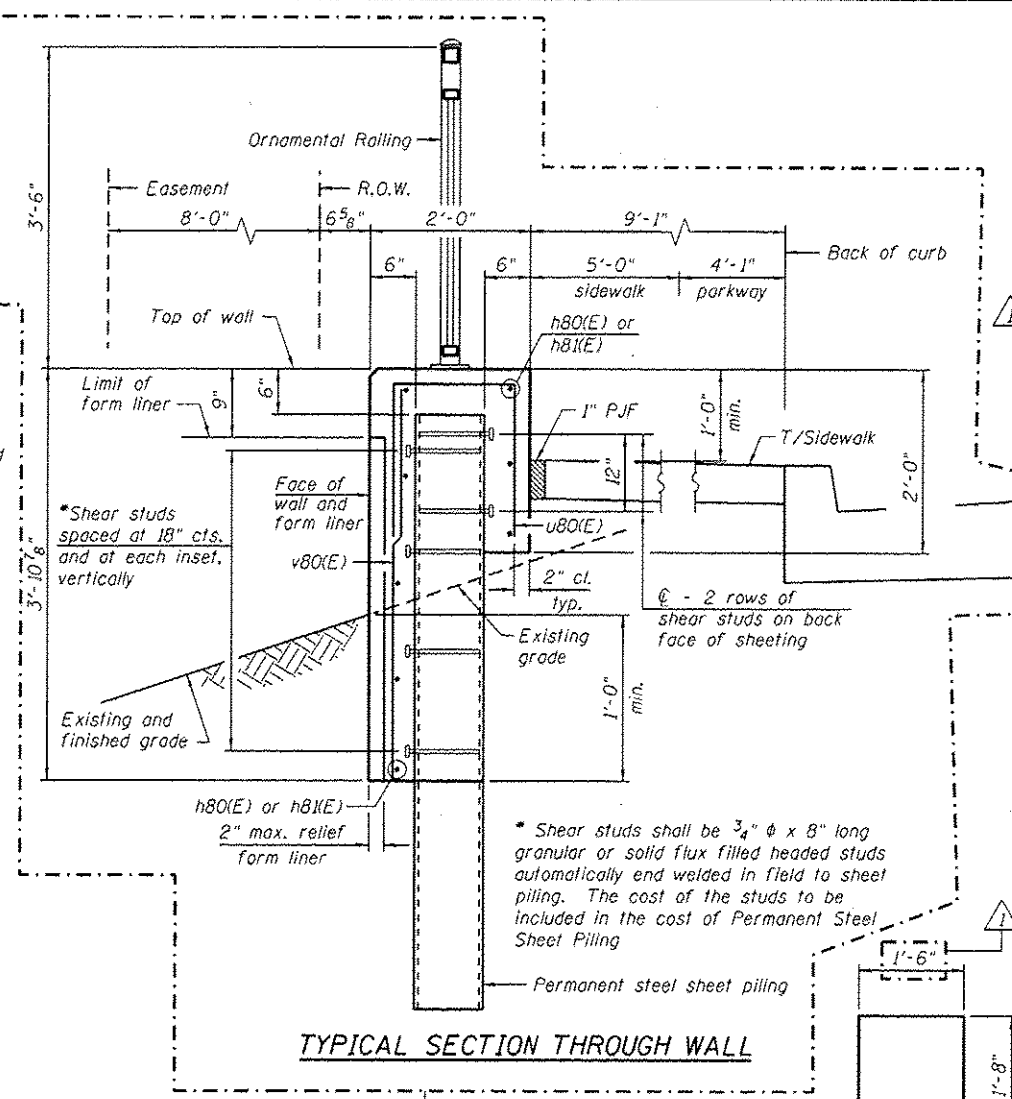
Bars indicated thus 9x2-#5 etc. indicates 9 lines of bars with 2 lengths per line.

NOTES:

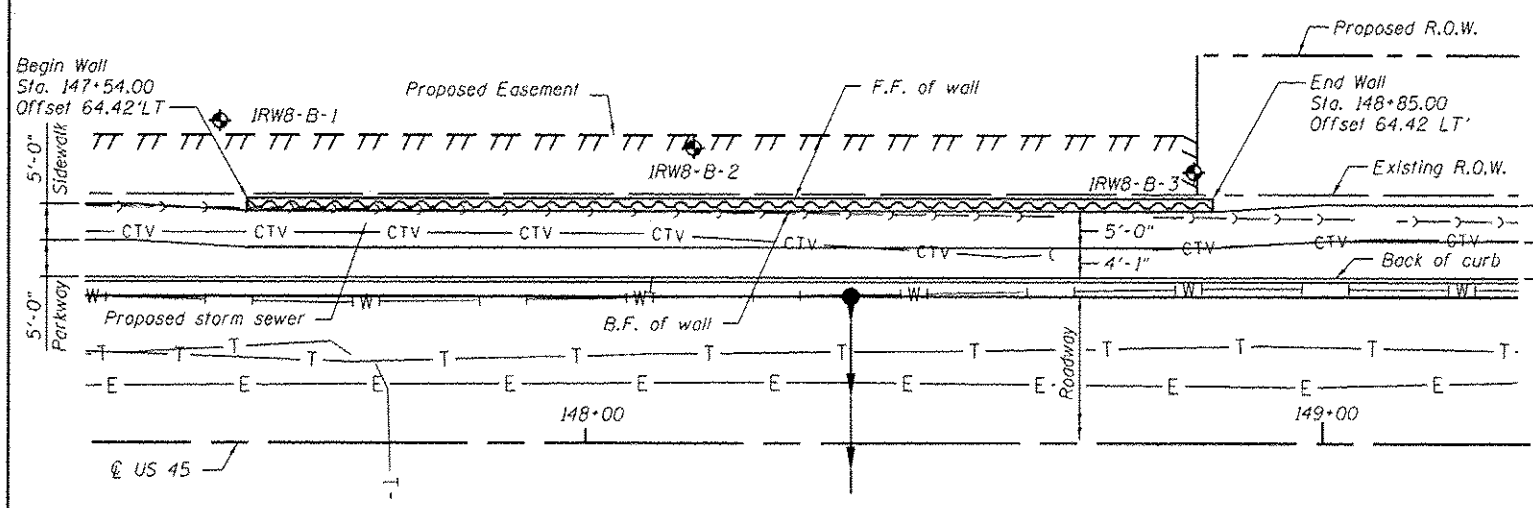
Wall stations, offsets and dimensions are measured at front face of wall.
 All exposed corners shall have a 1" chamfer.
 For General Notes, Wall Key Plan and US 45 Profile, see Sheet 1.
 For Typical Wall Details and Ornamental Railing see Sheet 2.
 The details for the concrete cap, reinforcement and required number of shear stud connectors are based on Section AZ 18 sheet piling. If the Contractor chooses to use any other section, then the Contractor shall submit revised concrete cap and reinforcement configuration for approval by the Engineer. Such changes shall not be cause for additional compensation.



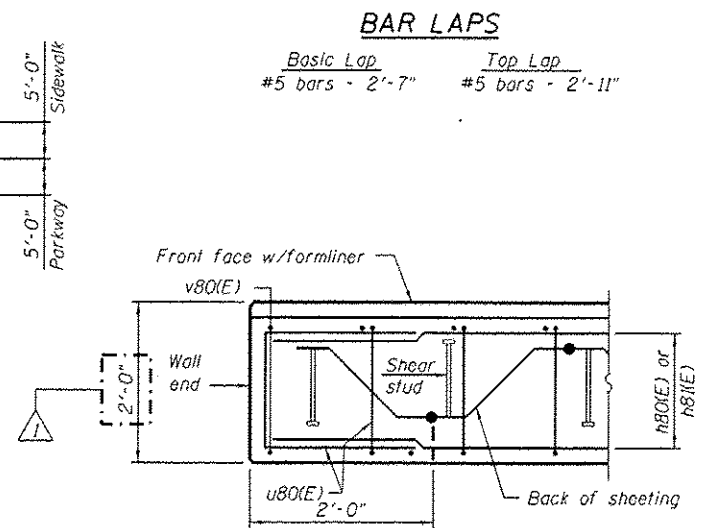
ELEVATION
(Looking West - F.F. of wall shown)



TYPICAL SECTION THROUGH WALL

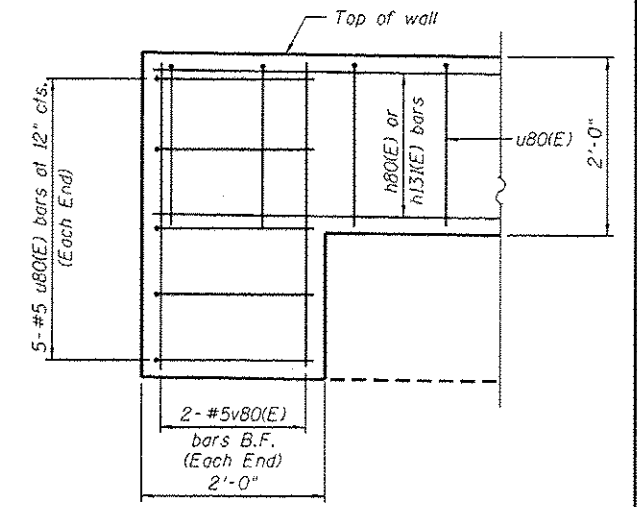


PLAN



PLAN AT END OF WALL

BAR u80(E)



TYPICAL END CAP DETAIL
(v(E) bars in F.F. not shown for clarity)

BAR LAPS

Basic Lap	Top Lap
#5 bars - 2'-7"	#5 bars - 2'-11"

- LEGEND**
- ① - Panel No.
 - ◆ - Soil Boring
 - F.F. - Front Face
 - B.F. - Back Face
 - E.F. - Each Face

FILE NAME = 0160705-SHT-Wall-00-1.dgn	USER NAME = arealan_khan	DESIGNED - KMP	REVISED - 04/12/2013 K.M.P.
		CHECKED -	REVISED -
		DRAWN - KMP	REVISED -
		CHECKED -	REVISED -

STATE OF ILLINOIS
DEPARTMENT OF TRANSPORTATION

RETAINING WALL NO. 8 - S.N. 016-2022
STA. 147+54.00 TO 148+85.00

F.A.P. RTE.	SECTION	COUNTY	TOTAL SHEETS	SHEET NO.
330	103R-3	COOK	932	566
CONTRACT NO. 60F05			ILLINOIS FED. AID PROJECT	

URS
100 S. WACKER DR.
SUITE 500
CHICAGO, IL 60606
TEL (312) 959-0000
FAX (312) 959-9558