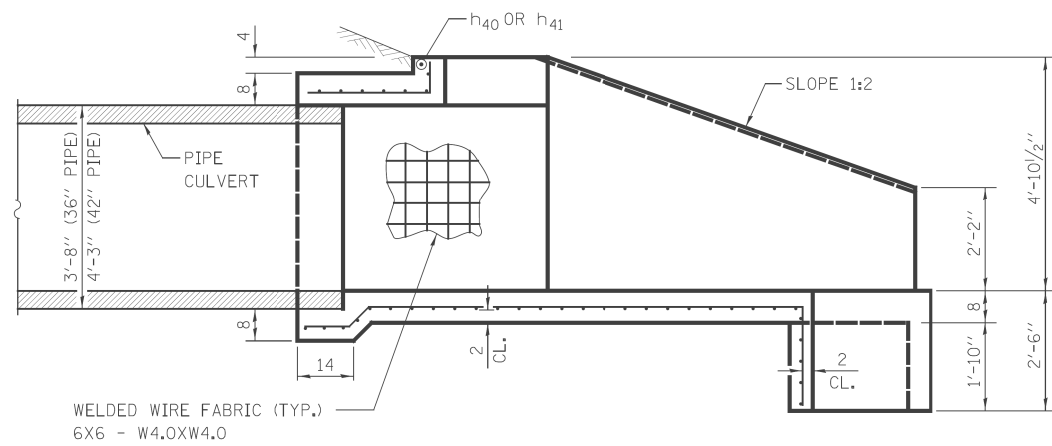
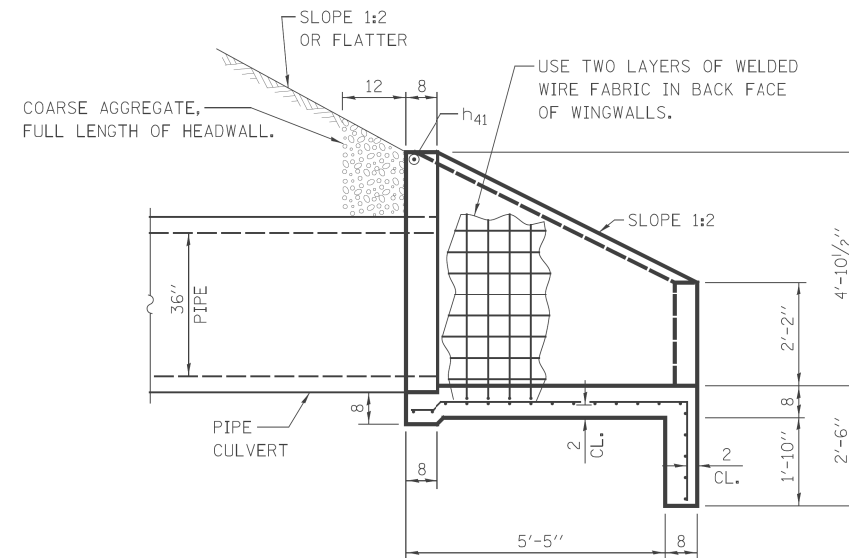


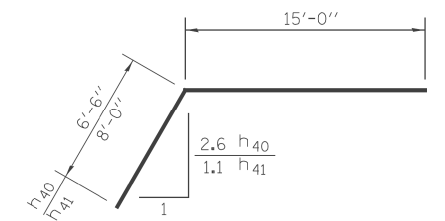
END VIEW



SECTION A-A



SECTION B-B



BARS h₄₀ & h₄₁
BEND IN FIELD

BILL OF MATERIALS

BAR	NO.	SIZE	LENGTH	SHAPE
h ₄₀	1	#5	21'-6"	
h ₄₁	1	#5	23'-0"	
REINFORCEMENT BARS			POUND	50
WELDED WIRE FABRIC 6X6			SQ YD	82
CONCRETE STRUCTURES			CU YD	14.2

DESIGNED - TB	REVISED -
DRAWN - TB	REVISED -
CHECKED - JRS	REVISED -
DATE - 03/13/13	REVISED -

STATE OF ILLINOIS
DEPARTMENT OF TRANSPORTATION

REINFORCED CONCRETE END SECTION
STA. 126 + 23

SCALE: NTS SHEET NO. 5 OF 5 SHEETS STA. TO STA.

F.A. RTE.	SECTION	COUNTY	TOTAL SHEETS	SHEET NO.
330	103R-3	COOK	932	352
DD-05		CONTRACT NO. 60F05		
ILLINOIS FED. AID PROJECT				