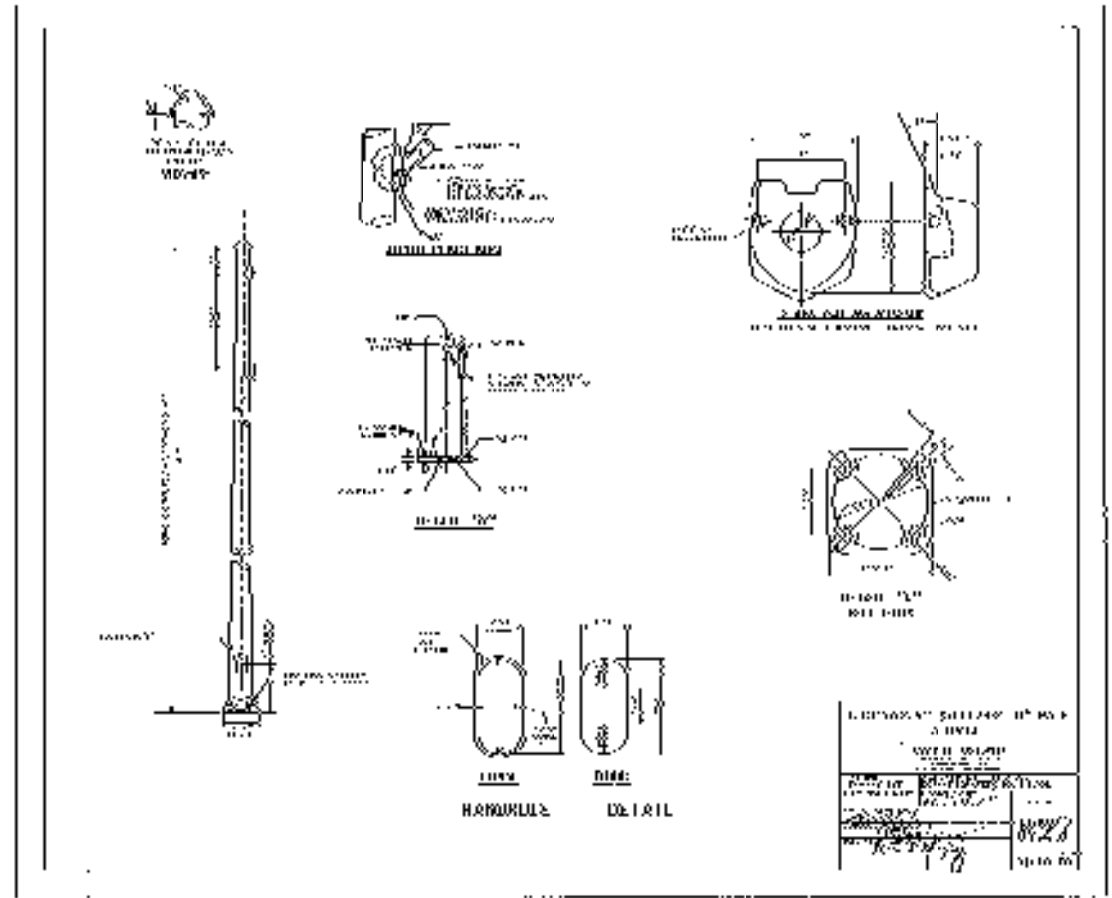
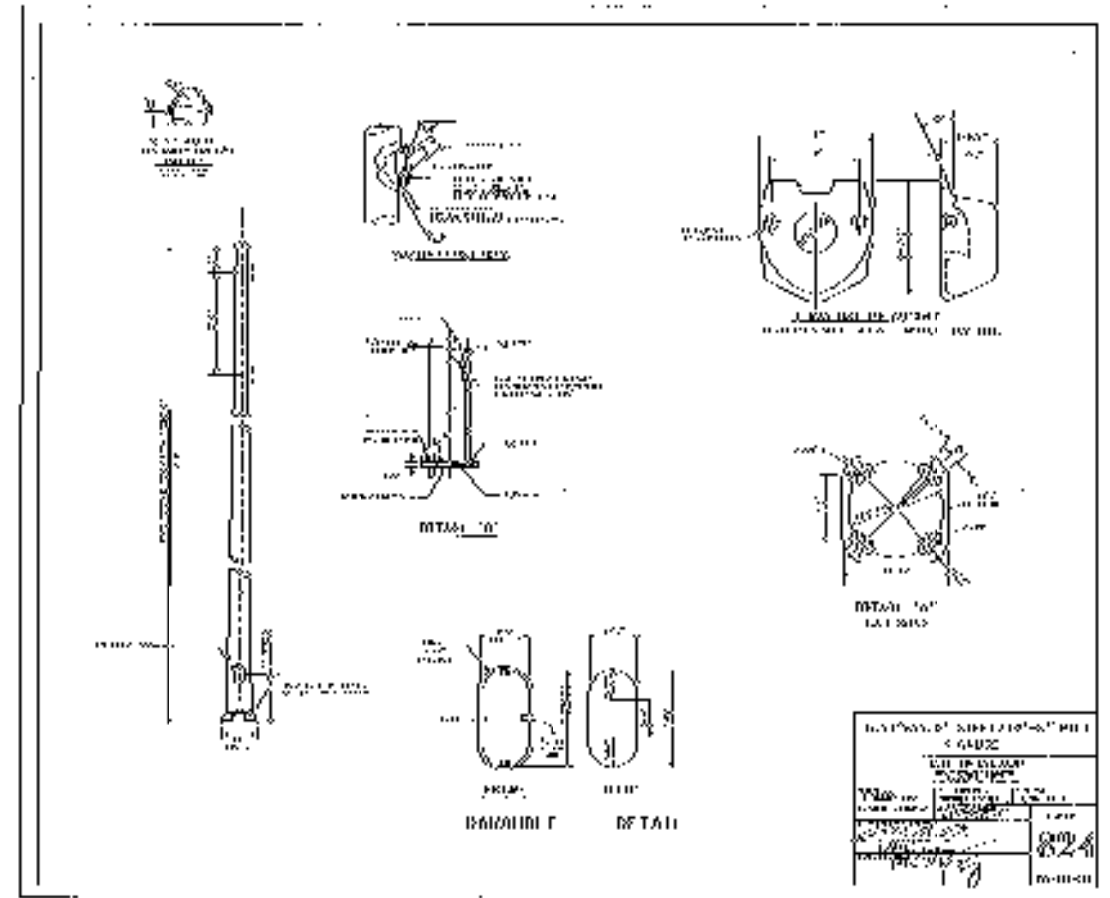
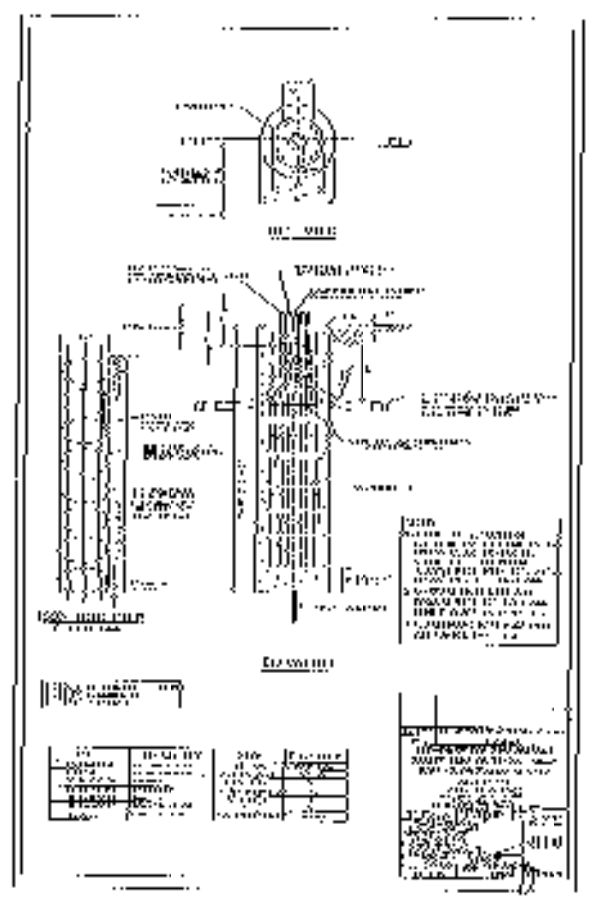
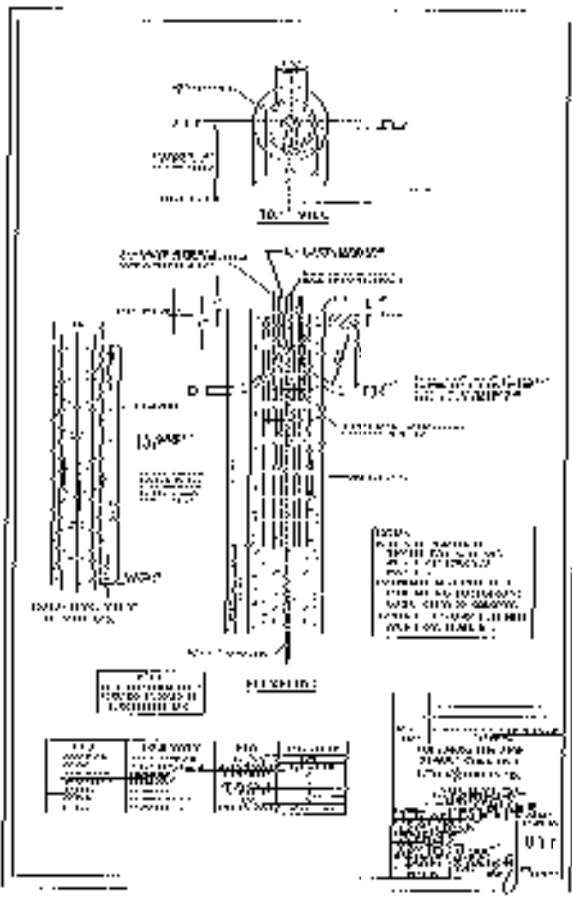
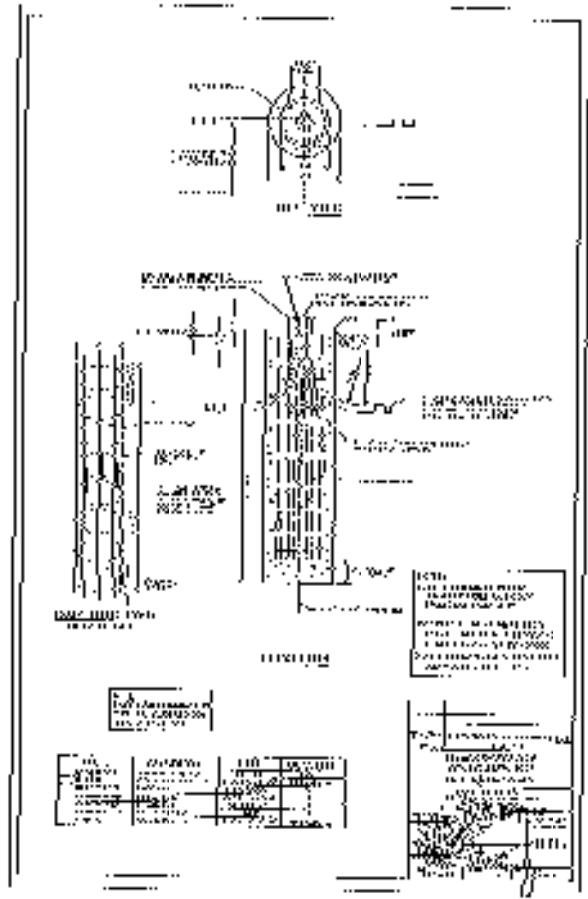


2/18/2013 2:00:57 PM ...sheet\DI60J14-sht-ts\_56.dgn



USER NAME =	DESIGNED - GR	REVISED -
	DRAWN - GR	REVISED -
PLOT SCALE =	CHECKED - CG	REVISED -
PLOT DATE =	DATE - 2/18/2013	REVISED -



**STATE OF ILLINOIS  
DEPARTMENT OF TRANSPORTATION**

<b>CDOT STANDARD CODE FOR TRAFFIC SIGNALS/STREET LIGHTING</b>			
SCALE: NONE	SHEET NO. OF SHEETS	STA. TO STA.	

F.A.U. RTE.	SECTION	COUNTY	TOTAL SHEETS	SHEET NO.
2746	1616B	COOK	404	223
CONTRACT NO. 60J14				
ILLINOIS FED. AID PROJECT				

TS-64