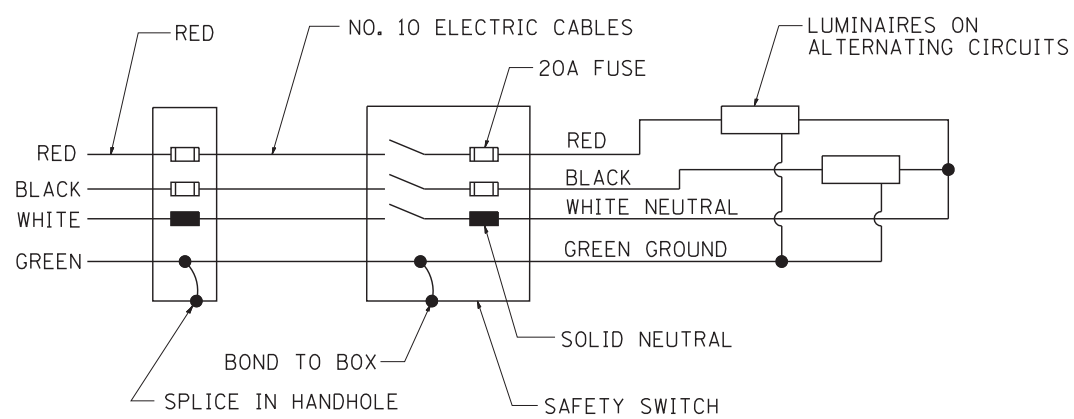
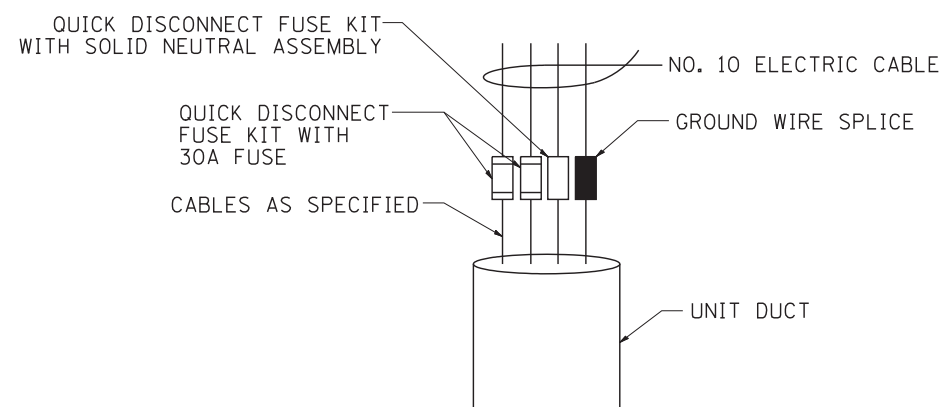


SIGN NUMBER
 DECAL SIZE: 8'' (200) W X 9'' (230) H
 CHARACTER SIZE: 6'' (150) W X 8'' (200) H

7' (2 m) ABOVE PAVEMENT



WIRING DIAGRAM



DETAIL A

NOTES:

1. ALL DIMENSIONS ARE IN INCHES (MILLIMETERS) UNLESS OTHERWISE SHOWN
2. ALL CONDUIT ATTACHED TO STRUCTURE SHALL BE GALVANIZED RIGID METALIC CONDUIT, PVC COATED (GRMC, PVC)
3. THE USE OF LIQUID TIGHT METAL CONDUIT (TYPE LFMC) SHALL BE LIMITED TO LOCATIONS WHERE MOVEMENT IS ANTICIPATED AND SHALL NOT EXCEED 5' (1.5 m) IN LENGTH
4. ALL WORK INDICATED SHALL BE INCLUDED IN THE PAY ITEM FOR ELECTRIC CONNECTION TO SIGN STRUCTURE
5. THE SAFETY SWITCH SHALL BE LOCATED ON THE SIDE OF THE SIGN STRUCTURE WHICH IS CLOSEST TO THE SHOULDER, OR EDGE OF PAVEMENT.

FILE NAME = W:\diststd\22x34\be600.dgn	USER NAME = geglionobt	DESIGNED -	REVISED - 09-19-04
		DRAWN -	REVISED -
	PLOT SCALE = 50.0000' / IN.	CHECKED -	REVISED -
	PLOT DATE = 1/4/2008	DATE -	REVISED -

**STATE OF ILLINOIS
 DEPARTMENT OF TRANSPORTATION**

ELECTRIC CONNECTION TO SIGN STRUCTURE			
SPAN TYPE			
SCALE: NONE	SHEET NO. 1 OF 2 SHEETS	STA.	TO STA.

F.A. RTE. 2754	SECTION 1616B	COUNTY COOK	TOTAL SHEETS 404	SHEET NO. 253
CONTRACT NO. 60J14			BE-600	
FED. ROAD DIST. NO. 1 ILLINOIS FED. AID PROJECT				