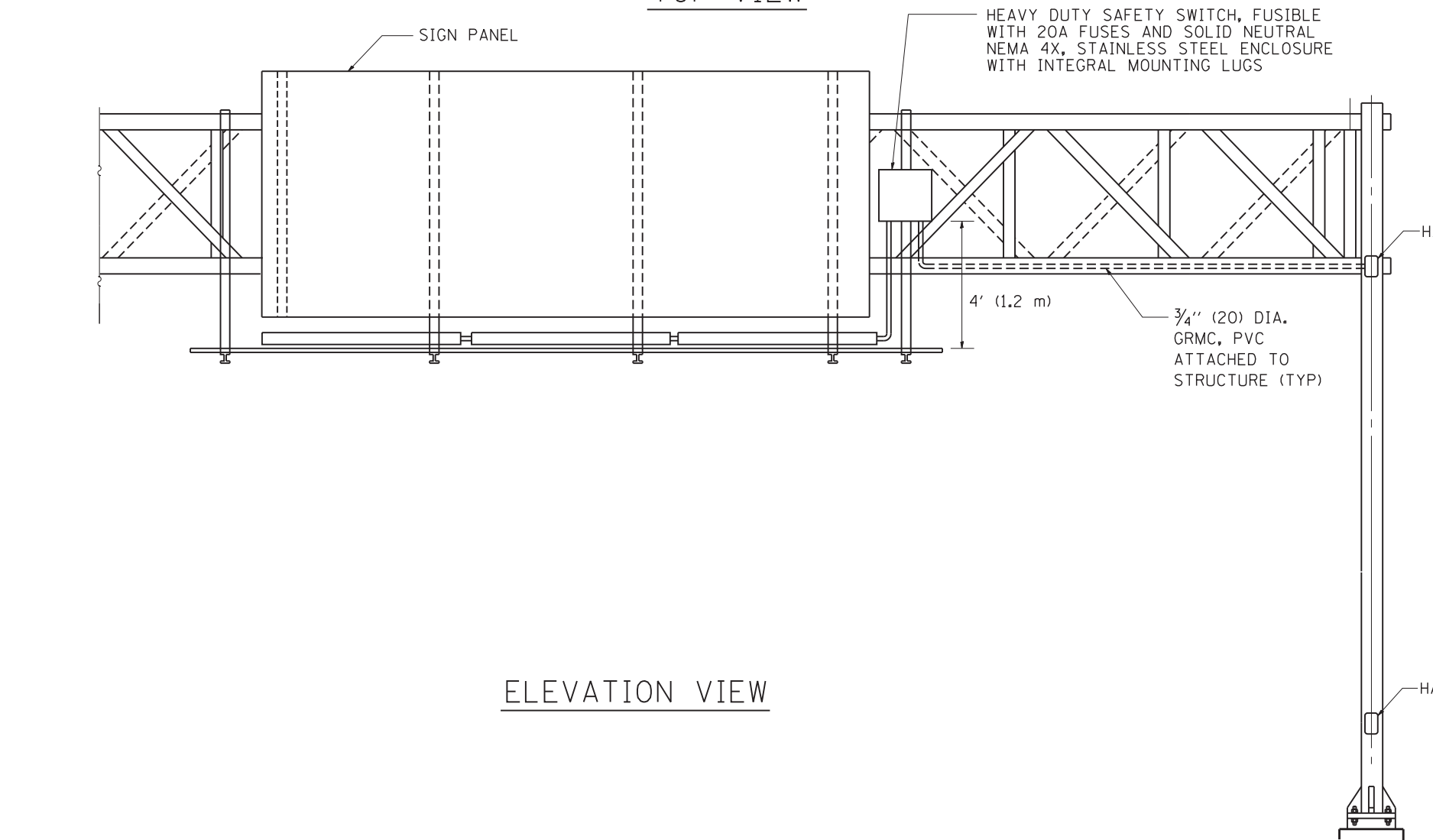
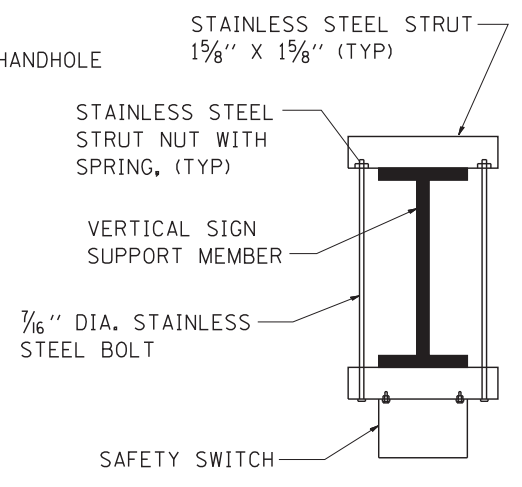
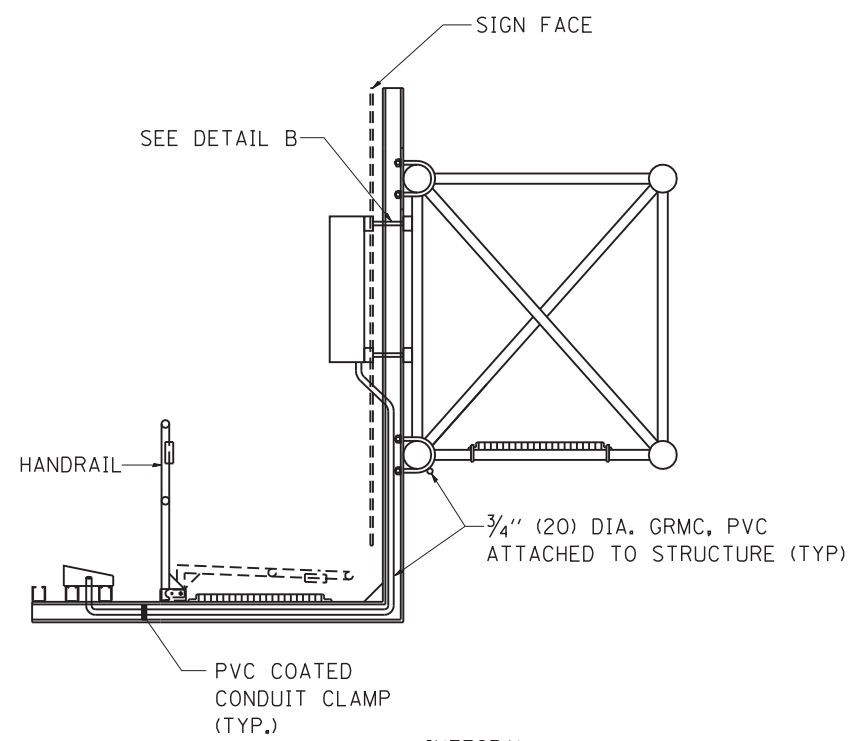


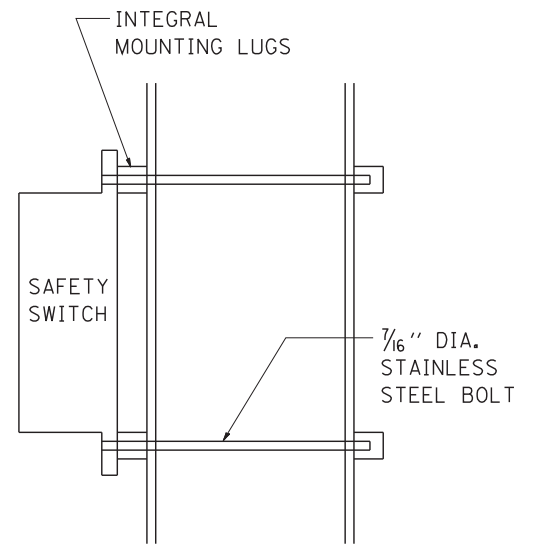
TOP VIEW



ELEVATION VIEW



TOP VIEW



SIDE VIEW

DETAIL B

FILE NAME = W:\diststd\22x34\be600.dgn	USER NAME = gaglionobt	DESIGNED -	REVISED - 09-19-04
		DRAWN -	REVISED -
	PLOT SCALE = 50.0000' / IN.	CHECKED -	REVISED -
	PLOT DATE = 1/4/2008	DATE -	REVISED -

STATE OF ILLINOIS  
DEPARTMENT OF TRANSPORTATION

ELECTRIC CONNECTION TO SIGN STRUCTURE			
SPAN TYPE			
SCALE: NONE	SHEET NO. 2 OF 2 SHEETS	STA.	TO STA.

F.A. RTE. 2754	SECTION 1616B	COUNTY COOK	TOTAL SHEETS 404	SHEET NO. 254
BE-600			CONTRACT NO. 60J14	
FED. ROAD DIST. NO. 1 ILLINOIS FED. AID PROJECT				