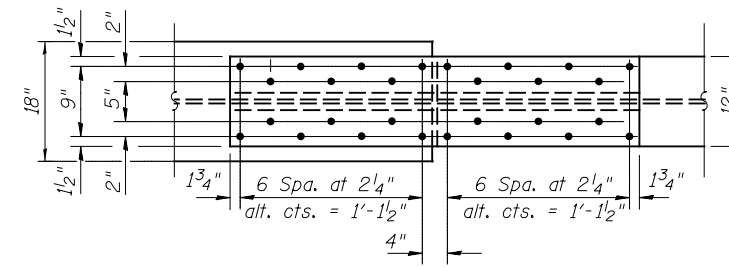
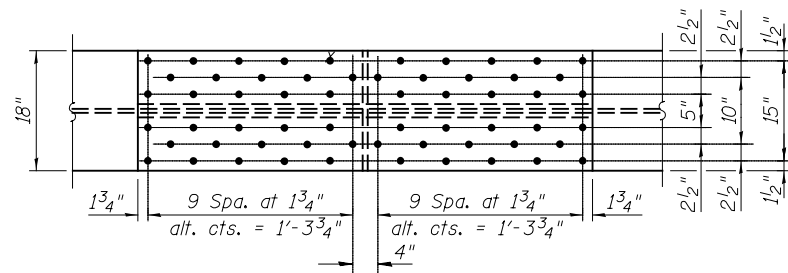
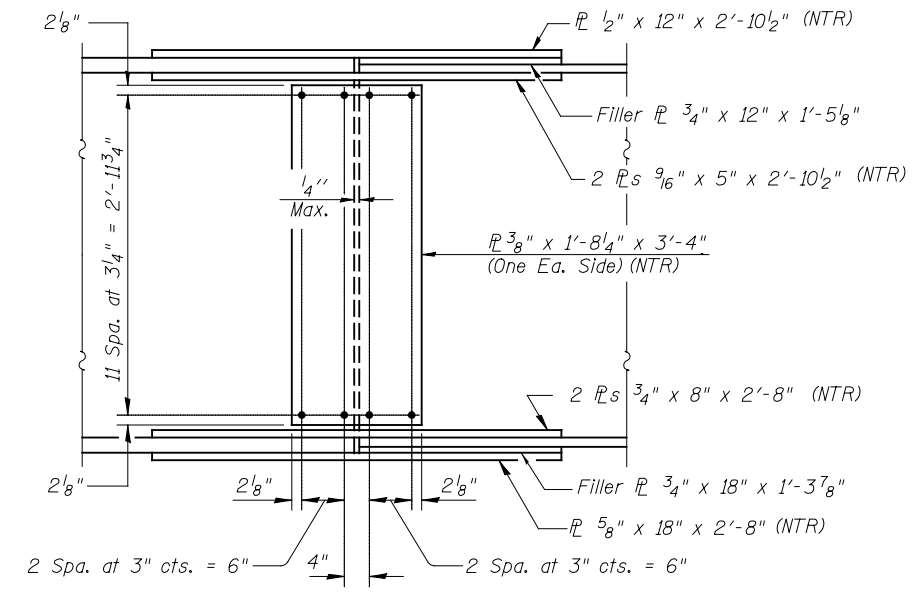
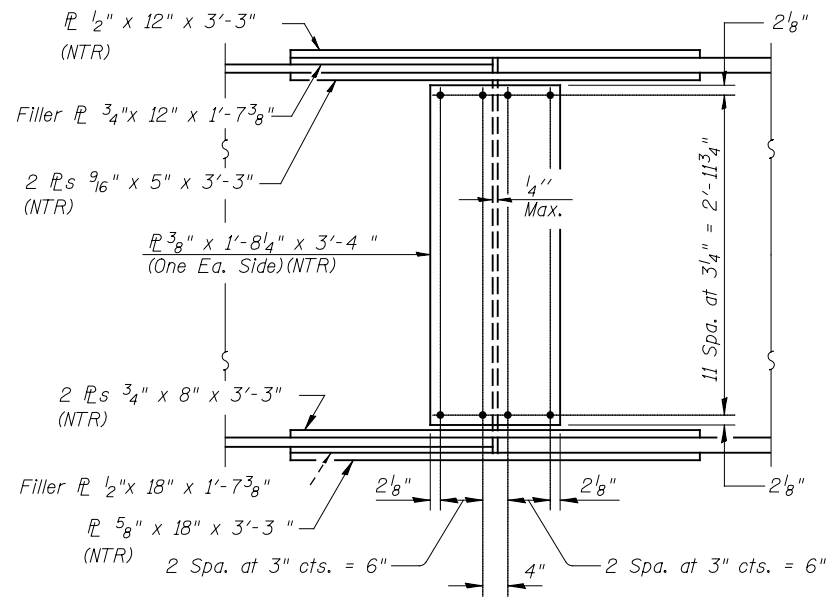


TOP PLATE



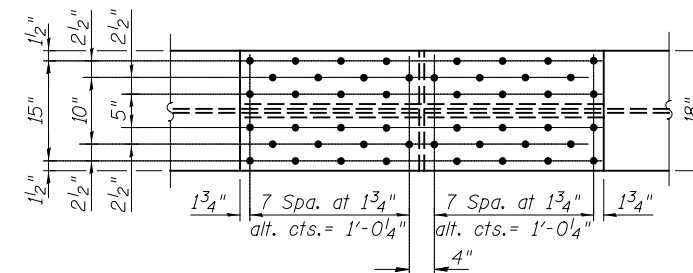
TOP PLATE



BOTTOM PLATE

FIELD SPLICE 1 DETAIL

18 Required



BOTTOM PLATE

FIELD SPLICE 2 DETAIL

18 Required

NOTE

Load carrying components designated NTR shall conform to the Impact Testing Requirement, Zone 2.

	PATRICK ENGINEERING INC. 4970 VARSITY DRIVE LISLE, IL 60532 patrickengineering.com	USER NAME =	DESIGNED - AY	REVISED
		PLOT SCALE =	DRAWN - AY	REVISED
		PLOT DATE =	CHECKED - RDW	REVISED
			DATE - 2/18/2013	REVISED

STATE OF ILLINOIS
DEPARTMENT OF TRANSPORTATION

FIELD SPLICE (GIRDERS 1 THRU 9 & 12 THRU 20)
STRUCTURE NO. 016-1250
SCALE: NONE SHEET NO. S29 OF S59 SHEETS

F.A.U. RTE.	SECTION	COUNTY	TOTAL SHEETS	SHEET NO.
2746	1616B	COOK	404	298
CONTRACT NO. 60J14				
ILLINOIS FED. AID PROJECT				