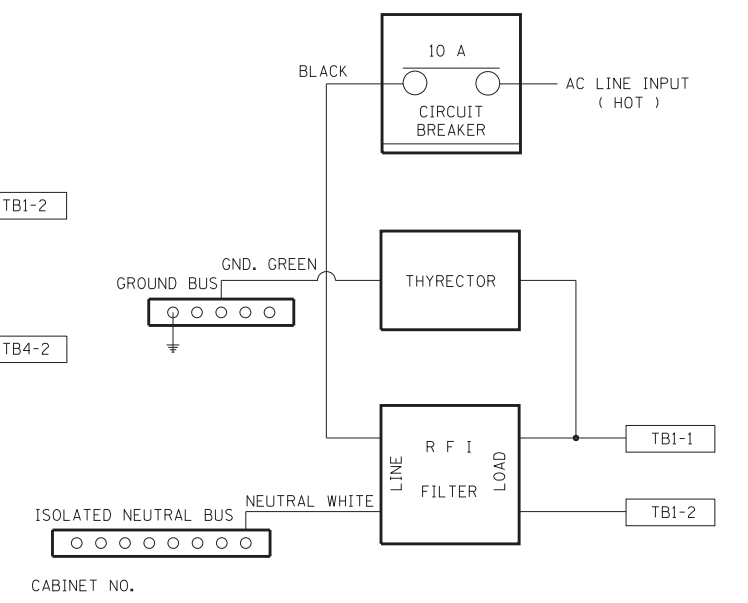
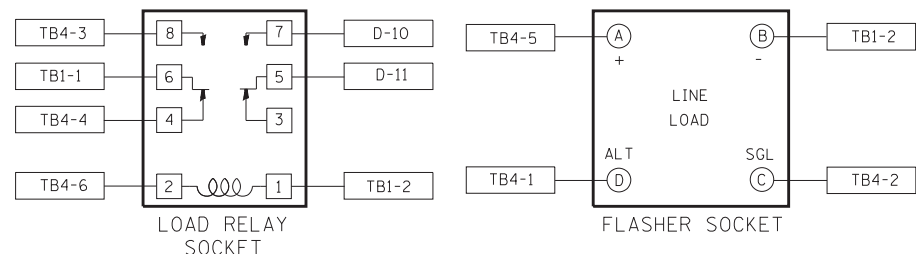
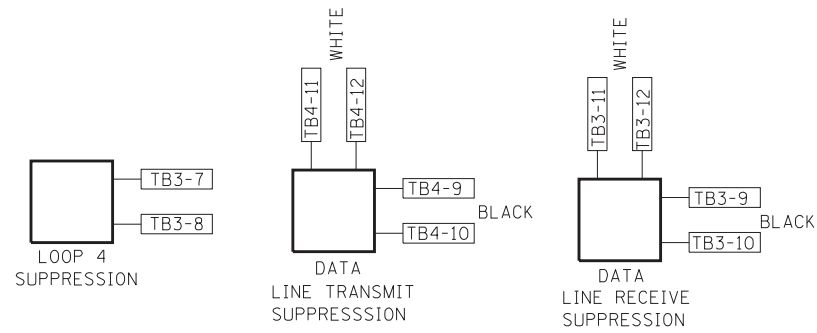
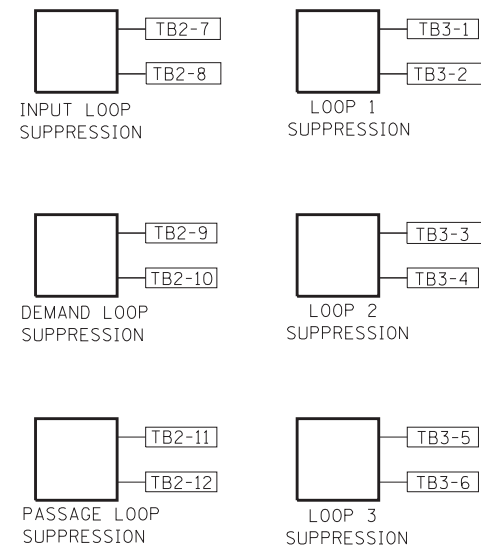
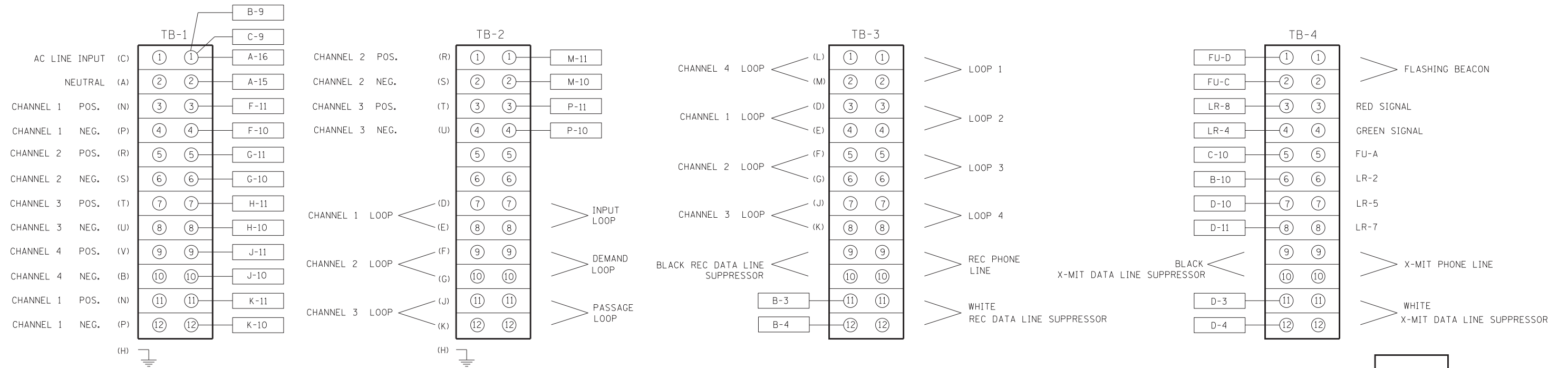
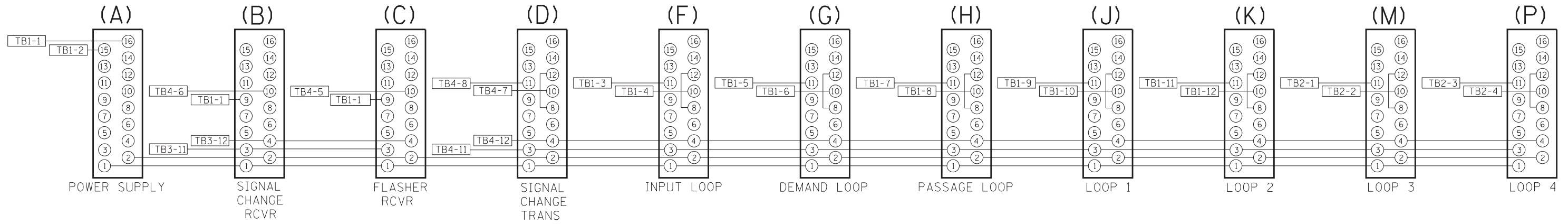


BACK VIEW OF TONE RACK



FILE NAME =	USER NAME = mezag	DESIGNED - T.C.	REVISED - 06/94	STATE OF ILLINOIS DEPARTMENT OF TRANSPORTATION TRAFFIC SYSTEMS CENTER	METERING CABINET WIRING DIAGRAM			F.A. RTE.	SECTION	COUNTY	TOTAL SHEETS	SHEET NO.	
DRAWN - G.M.					REVISED - 03/95							404	370
PLOT SCALE = 100.0000' / in.					REVISED - 05/99								
DATE - 06/21/94					REVISED -								
PLOT DATE = 7/26/2012					SCALE: NONE			SHEET NO. OF SHEETS STA. TO STA.			CONTRACT NO.		
TRAFFIC SYSTEMS CENTER (TY-1TSC-400#8)													