

Structural Notes:

Placing of Concrete - Concrete shall be placed in accordance with the method outlined in the Specifications.

Construction Joints - Joints not indicated on the Drawings shall be so made and located as not to impair the strength of the Structure and shall be approved by the Commissioner. Joints shall be constructed in accordance with the method outlined in the Specifications.

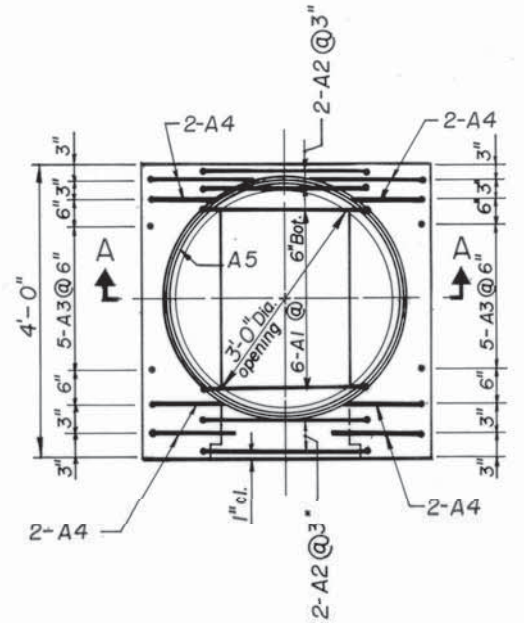
Concrete Protection for Reinforcement - All reinforcing steel shall have clear concrete covering as follows (unless otherwise noted):
 3" at exterior surfaces where concrete is deposited against the ground;
 2 1/2" at surfaces where concrete is formed but subsequently will be in contact with sewage; 2" at all other surfaces.

Reinforcing Steel - All reinforcing bars shall be accurately placed and securely supported by bar supports, spacers or high chairs. All laps in reinforcing steel shall be based upon the 1989ACI Building Code.

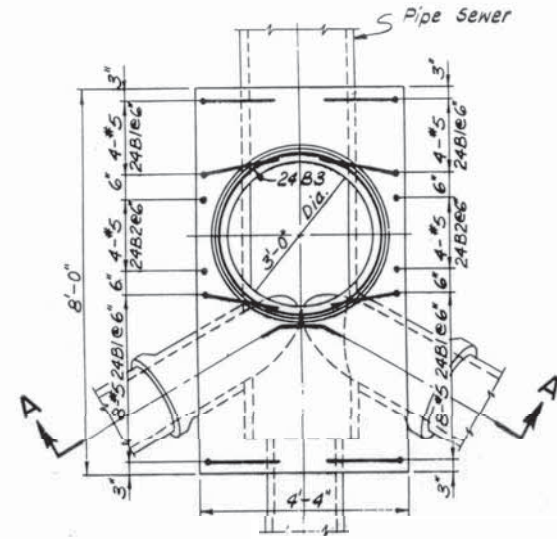
Unless otherwise noted, hooks and bends on bars shall conform to recommended details as given in the "Manual of Standard Practice", CR SI - 1990.

Following abbreviations are used to indicate the location of reinforcing bars:
 T. denotes Top N.F. denotes Near Face
 Bot. " Bottom F.F. " Far Face
 I.F. " Inside Face E.F. " Each Face
 O.F. " Outside Face E.W. " Each Way

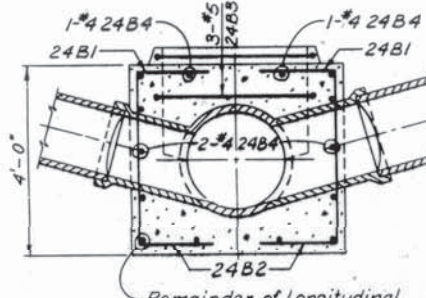
Placing Bar Supports - All reinforcing bars shall be supported, anchored and tied and shall conform to "Recommended Practice for placing Reinforcing Bars" 1986, Prepared by the Concrete Reinforcing Steel Institute.



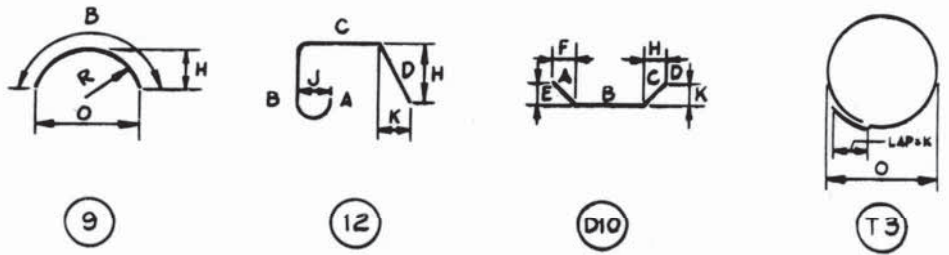
PLAN



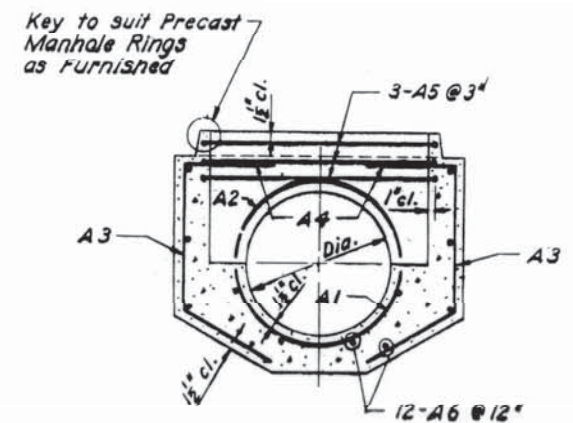
PLAN



SECTION A-A



Note:
 All Dimensions Are Out to Out of Bar.
 Bending Radii "R" to Outside of Bar.
 Numbers in Circles Denote Bar Type.



SECTION A-A

SCHEDULE OF REINFORCEMENT-ITEM 10

STRUCTURE	REINFORCEMENT BAR						BENDING DIMENSIONS										
	MARK	SIZE NO.	TYPE	LENGTH	NO. REQD.	WEIGHT LBS. EACH TOTAL	A	B	C	D	E	F	H	K	O	R	
24" DIA. & SMALLER	24B1	5	17	6'-7"	24	6.87 165		18"	3'-7"	18"							
	24B2	5	17	5'-0"	8	5.22 42		18"	3'-6"								
	24B3	5	T3	12'-7"	3	13.12 39								20"	3'-6"		
	24B4	5	Str.	3'-9"	4	3.91 16											
	24B5	4	Str.	7'-9"	10	5.18 52											
TOTAL						314											

TYPE "B" MANHOLE BASE
 FOR SEWERS 24" DIA. & SMALLER

SCHEDULE OF REINFORCEMENT-PART OF ITEMS 5

STRUCTURE	REINFORCEMENT BAR						BENDING DIMENSIONS													
	MARK	SIZE NO.	TYPE	LENGTH	NO. REQD.	WEIGHT - LBS. EACH TOTAL	A	B	C	D	E	F	G	H	J	K	O	R		
21" DIA. & SMALLER	24A1	6	9	3'-5"	6	8.13 51		3'-5"									15"	2'-3"	14"	
	24A2	6	T3	3'-6"	7	14.02 98												22"	5'-4"	
	24A3	6	12	3'-6"	10	3.85 37			2'-1"	17"					14"			8"		
	24A4	6	12	6'-9"	10	4.96 80		18"	8'-1"	17"					14"			8"		
	24A5	6	T3	11'-11"	3	12.83 37												20"	5'-5"	
	24A6	4	STR.	6'-5"	12	3.12 37														
TOTAL						290														

TYPE "A" MANHOLE PRECAST BASE
 FOR SEWERS 21" DIA. & SMALLER

DRAWN BY Reproduction
 DESIGNED BY _____
 CHECKED BY _____

DATE	DESCRIPTION

CITY OF CHICAGO
 DEPARTMENT OF SEWERS
 ENGINEERING DIVISION

**REINFORCEMENT FOR TYPE "A"
 AND TYPE "B" MANHOLE BASES**

CONTRACT 404
 SHEET NO. 380

SCALE: AS SHOWN