

COMPANY NAME: HRGreen.com
 PROJECT CONTACT: Illinois Professional Design Firm #184-001322
 DATE PLOTTED: 2/8/2013 1:48:21 AM
 FILE NAME: 86100196.01-18c.dgn
 PLOT DRIVER: pafsoft
 PEN TABLE: standard-trans.tbl



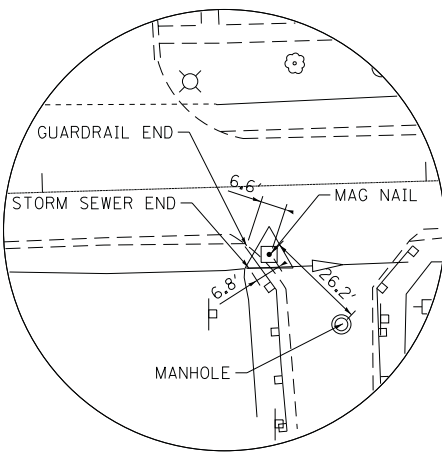
USER NAME = spenel	DESIGNED - CMH	REVISED -
	DRAWN - SMP	REVISED -
PLOT SCALE = 1" = 100'	CHECKED - TEH	REVISED -
PLOT DATE = 2/8/2013	DATE - 2/8/13	REVISED -

**STATE OF ILLINOIS
 DEPARTMENT OF TRANSPORTATION**

**ALIGNMENT, TIES, AND BENCHMARKS
 127TH STREET (RIDGELAND AVE. TO IL RTE. 83)**

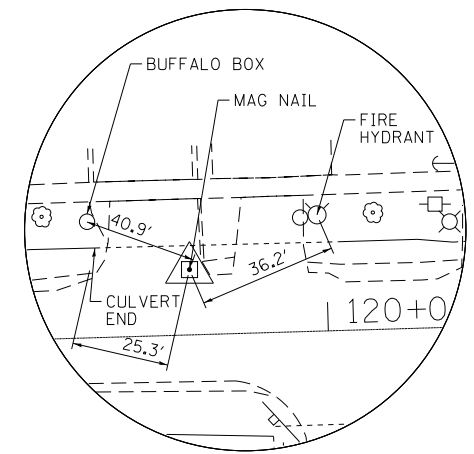
SCALE: 1" = 100' SHEET NO. 1 OF 1 SHEETS STA. BEGIN TO STA. END

F.A. RTE.	SECTION	COUNTY	TOTAL SHEETS	SHEET NO.
1587	3034-RS-S	COOK	48	10
FED. ROAD DIST. NO. ILLINOIS FED. AID PROJECT			CONTRACT NO. 60L82	

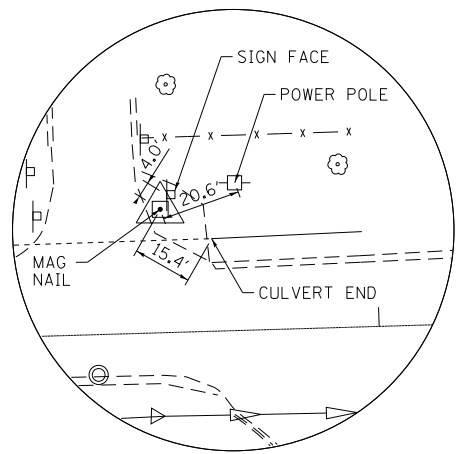


C.P. #11 N: 1819693.98
 E: 1139113.98

BENCHMARK
 SOUTHWEST BOLT OF HTE FIRE HYDRANT, FIRST FIRE HYDRANT WEST OF PARK PLACE ON THE SOUTH SIDE OF 127TH STREET. ELEV. = 603.86 (NAVD 88)



C.P. #10 N: 1819692.63
 E: 1139718.48



C.P. #13 N: 1819748.44
 E: 1141096.98

