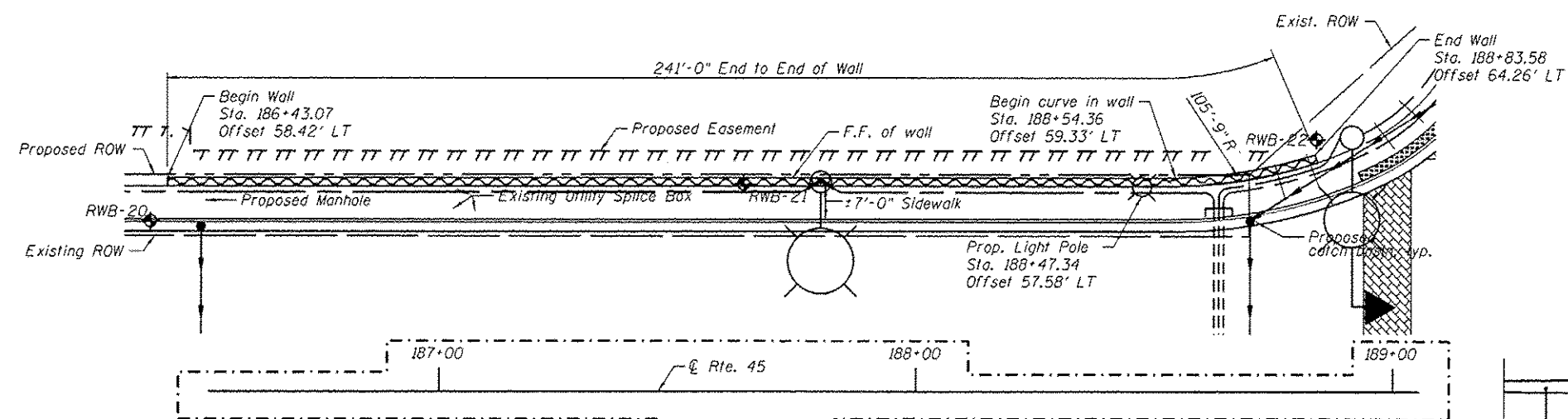
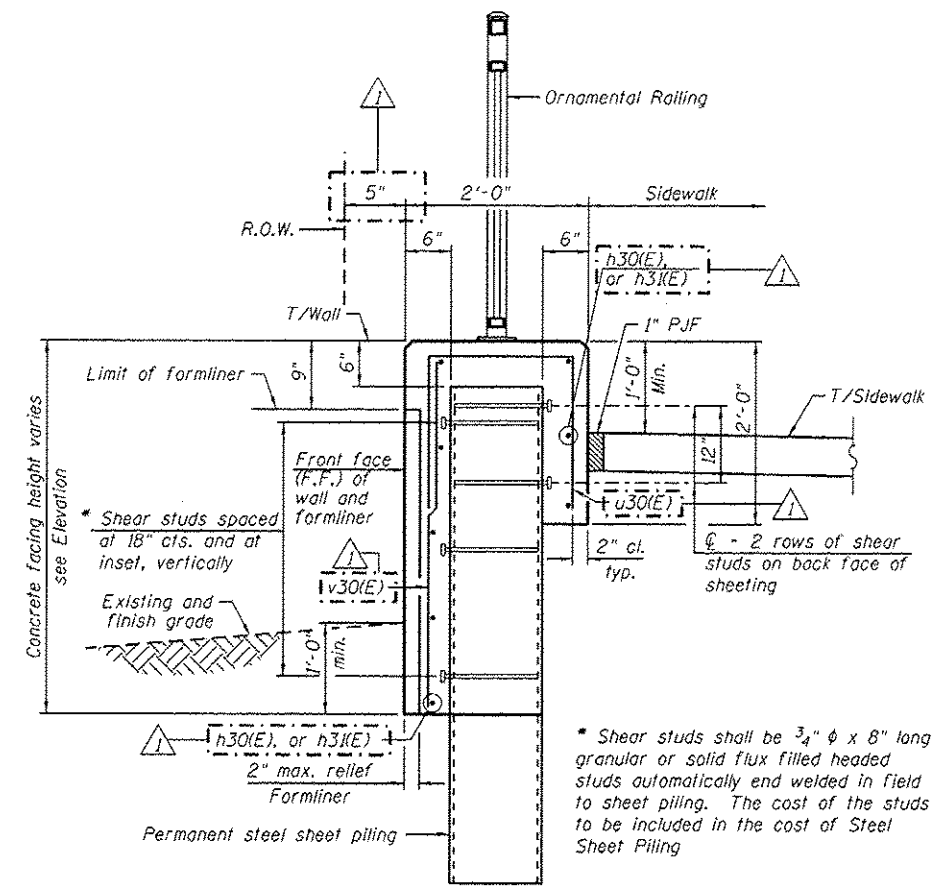


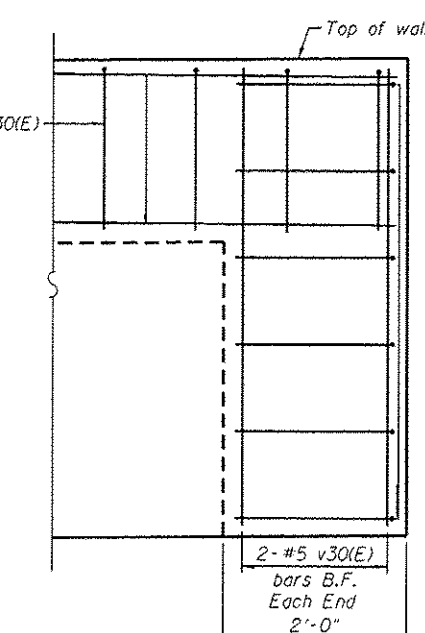
ELEVATION



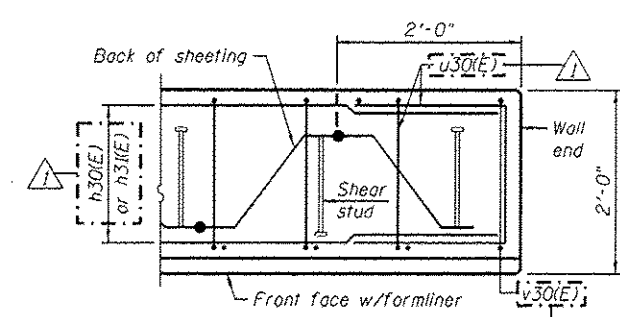
PLAN



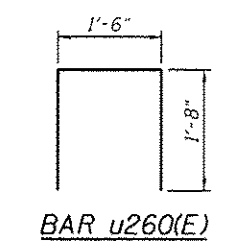
TYPICAL SECTION THROUGH WALL



TYPICAL END CAP DETAIL



PLAN AT END OF WALL



BAR u260(E)

BILL OF MATERIAL

Bar	No.	Size	Length	Shape
h30(E)	35	#5	33'-8"	—
h3(E)	21	#5	29'-8"	—
u30(E)	247	#5	4'-10"	□
v30(E)	251	#5	3'-2"	—
Structure Excavation			Cu. Yd.	72
Concrete Structures			Cu. Yd.	94.5
Form Liner Textured Surface			Sq. Ft.	1095
Reinforcement Bars, Epoxy Coated			Pound	3960
Permanent Steel Sheet Piling			Sq. Ft.	3777
Ornamental Railing			Foot	241

LEGEND

- ◆ Soil Boring
- F.F. Front Face
- B.F. Back Face
- E.F. Each Face

BAR LAPS

- Basic Lap
- #5 bars - 2'-7"
- Top Bar Lap
- #5 bars - 2'-11"

NOTES:

Wall stations, offsets and dimensions are measured at front face of wall.
 All exposed corners shall have a 1" chamfer.
 For General Notes, Wall Key Plan and US 45 Profile, see Sheet 1.
 For Typical Wall Details and Ornamental Railing see Sheet 2.
 The details for the concrete cap, reinforcement and required number of shear stud connectors are based on Section AZ 1B sheet piling. If the Contractor chooses to use any other section, then the Contractor shall submit revised concrete cap and reinforcement configuration for approval by the Engineer. Such changes shall not be cause for additional compensation.

URS
 100 S. Wacker Dr.
 Chicago, IL 60606
 TEL (312) 939-9000
 FAX (312) 939-4598