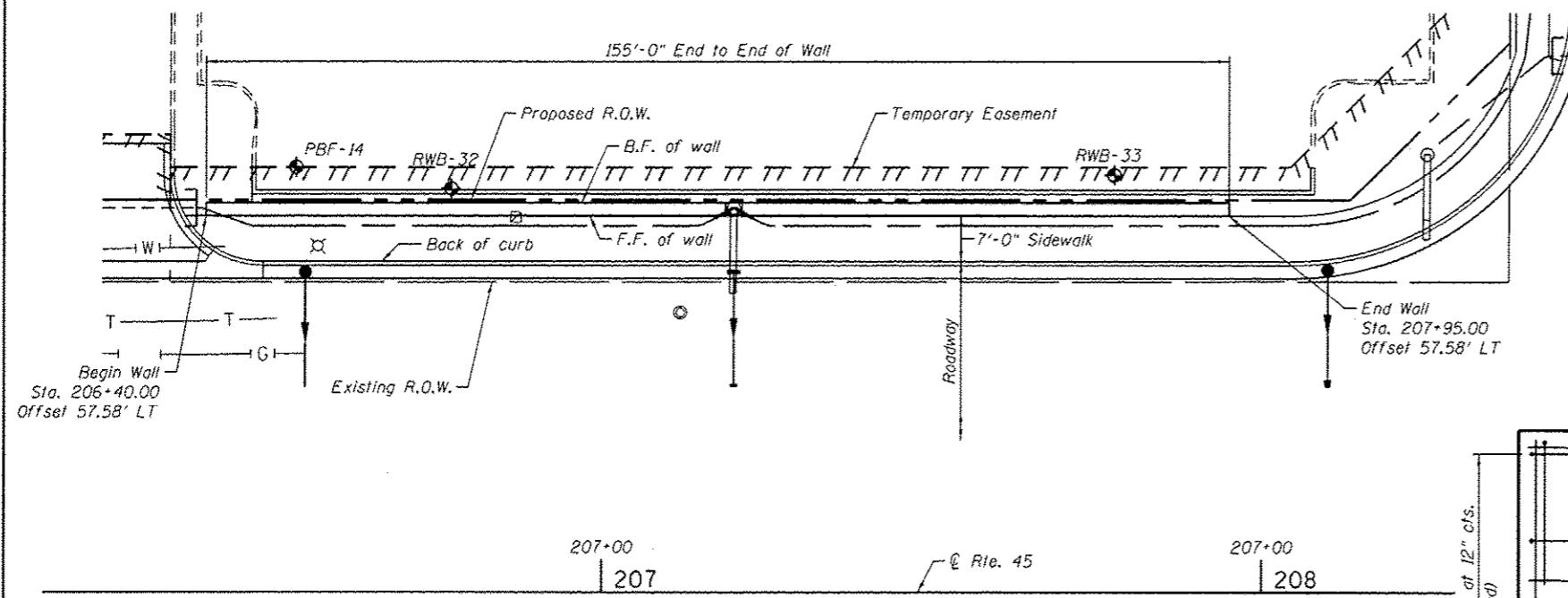
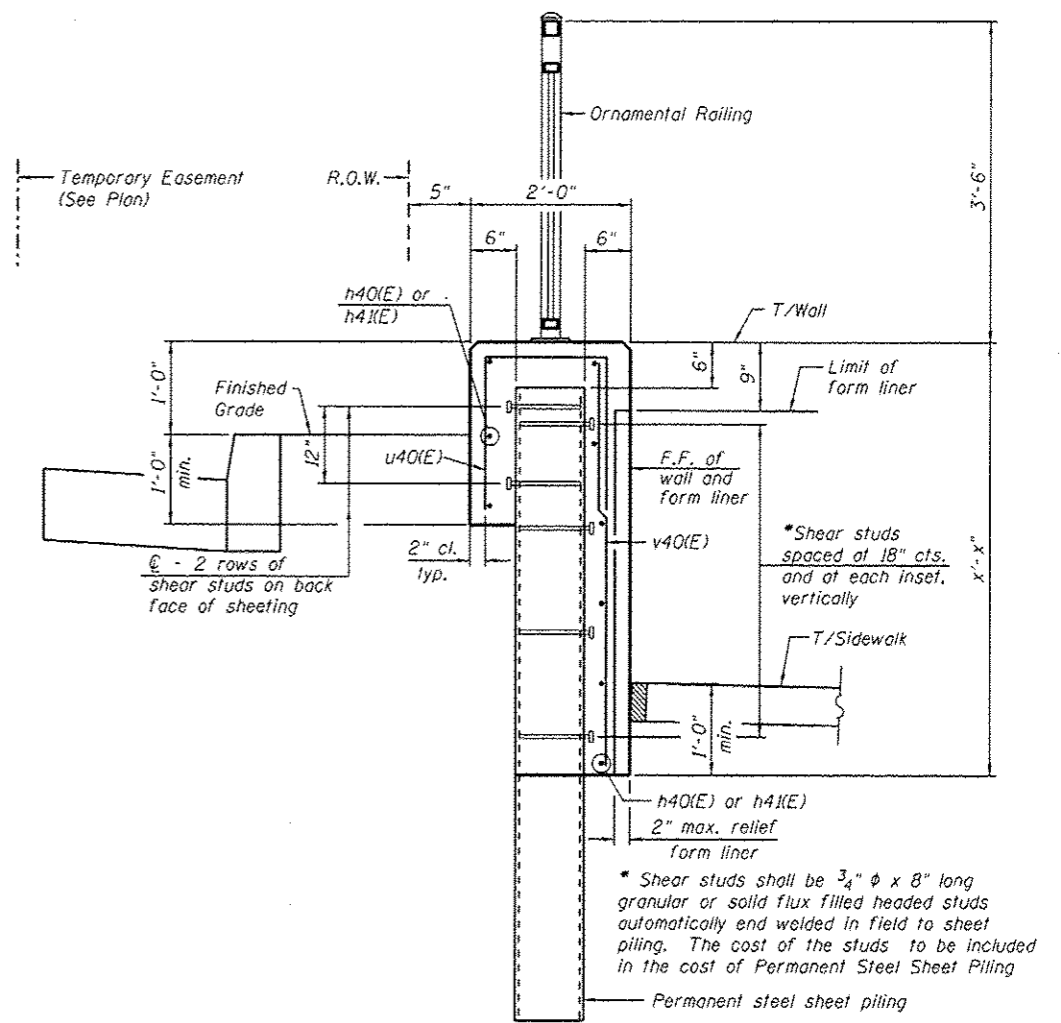


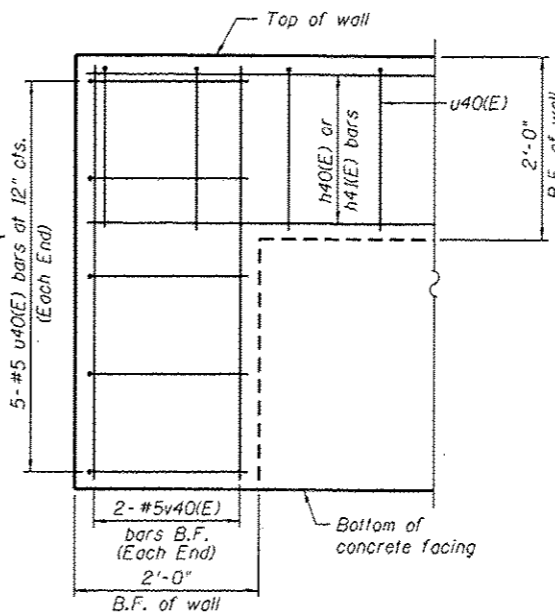
**ELEVATION**  
(Looking West)



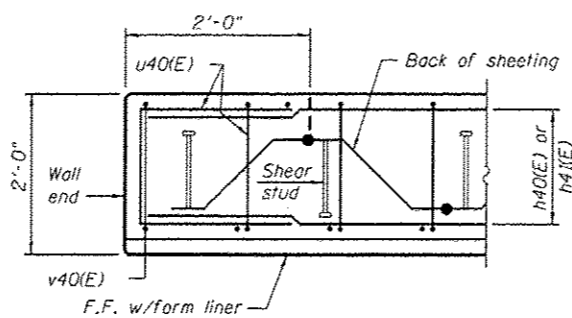
**PLAN**



**TYPICAL SECTION THROUGH WALL**



**TYPICAL END CAP DETAIL**  
(v(E) bars in F.F. not shown for clarity)



**PLAN AT END OF WALL**

**BILL OF MATERIAL**

Bar	No.	Size	Length	Shape
h40(E)	24	#5	32'-11"	—
h4(E)	16	#5	29'-8"	—
u40(E)	163	#5	4'-10"	□
v40(E)	157	#5	4'-5"	—
Structure Excavation			Cu. Yd.	68
Concrete Structures			Cu. Yd.	37.1
Form Liner Textured Surface			Sq. Ft.	546
Reinforcement Bars, Epoxy Coated			Pound	2,870
Permanent Sheet Piling			Sq. Ft.	2,463
Ornamental Railing			Foot	155

Bars indicated thus 3x2-#5 etc. indicates 3 lines of bars with 2 lengths per line.

- LEGEND**
- ① - Panel No.
  - ◆ - Soil Boring
  - F.F. - Front Face
  - B.F. - Back Face
  - E.F. - Each Face
- BAR LAPS**
- Basic Lap
  - #5 bars - 2'-7"
  - Top Bar Lap
  - #5 bars - 2'-11"

**NOTES:**

Wall stations, offsets and dimensions are measured at front face of wall.

All exposed corners shall have a 1" chamfer.

For General Notes, Wall Key Plan and US 45 Profile, see Sheet 1.

For Typical Wall Details and Ornamental Railing see Sheet 2.

△ Entire sheet revised

URS  
 800 S. WACKER DR.  
 SUITE 500  
 CHICAGO, IL 60606  
 TEL (312) 939-4000  
 FAX (312) 939-4098

FILE NAME: 0160461-SHT-Wall_04-1.dgn	USER NAME: Patrick.Hennemann	DESIGNED: KMP	REVISED: 04/12/2013 K.M.P.	<b>STATE OF ILLINOIS</b> <b>DEPARTMENT OF TRANSPORTATION</b>	<b>RETAINING WALL NO. 4 - S.N. 016-2030</b> <b>STA. 206+40.00 TO 207+95.00</b>	F.A.P. RITE: 330	SECTION: 103R-4	COUNTY: COOK	TOTAL SHEETS: 877	SHEET NO.: 481
PLOT SCALE: 25.0000' / in.	DRAWN: KMP	REVISOR:	CONTRACT NO.: 60M61							
PLOT DATE: 4/15/2013	CHECKED:	REVISOR:	ILLINOIS FED. AID PROJECT							