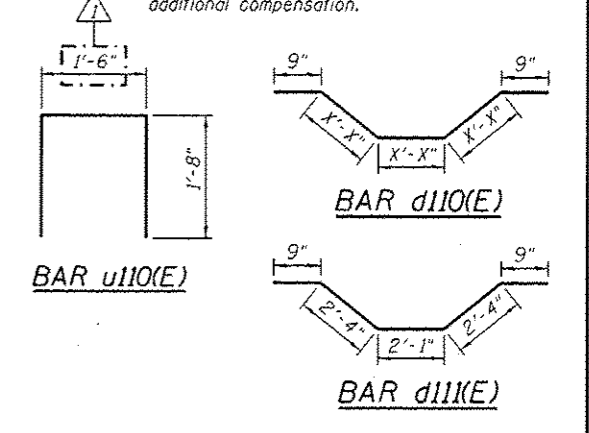
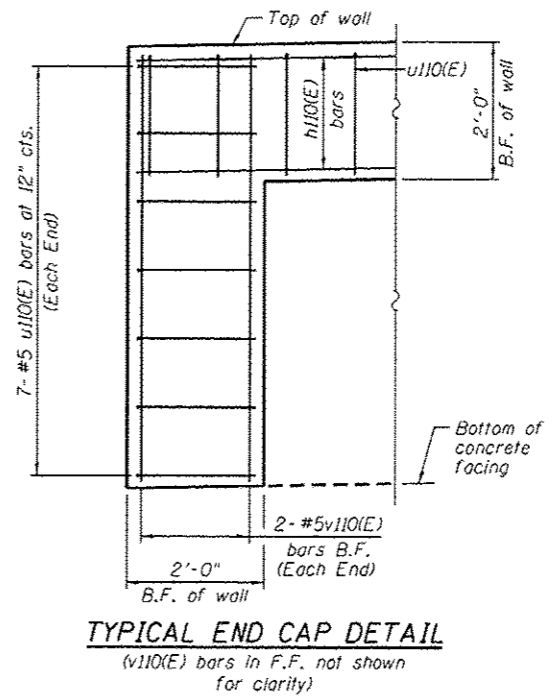
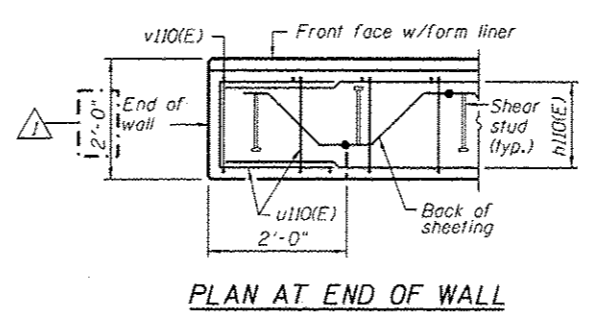
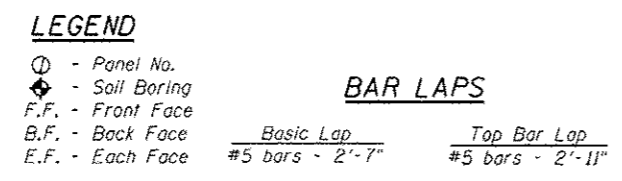
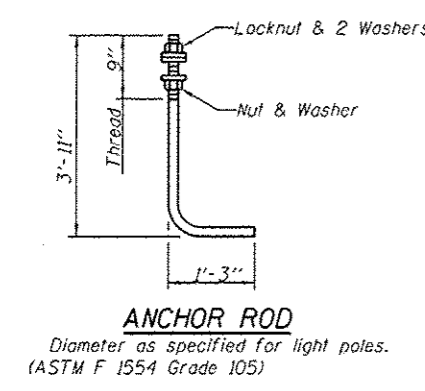
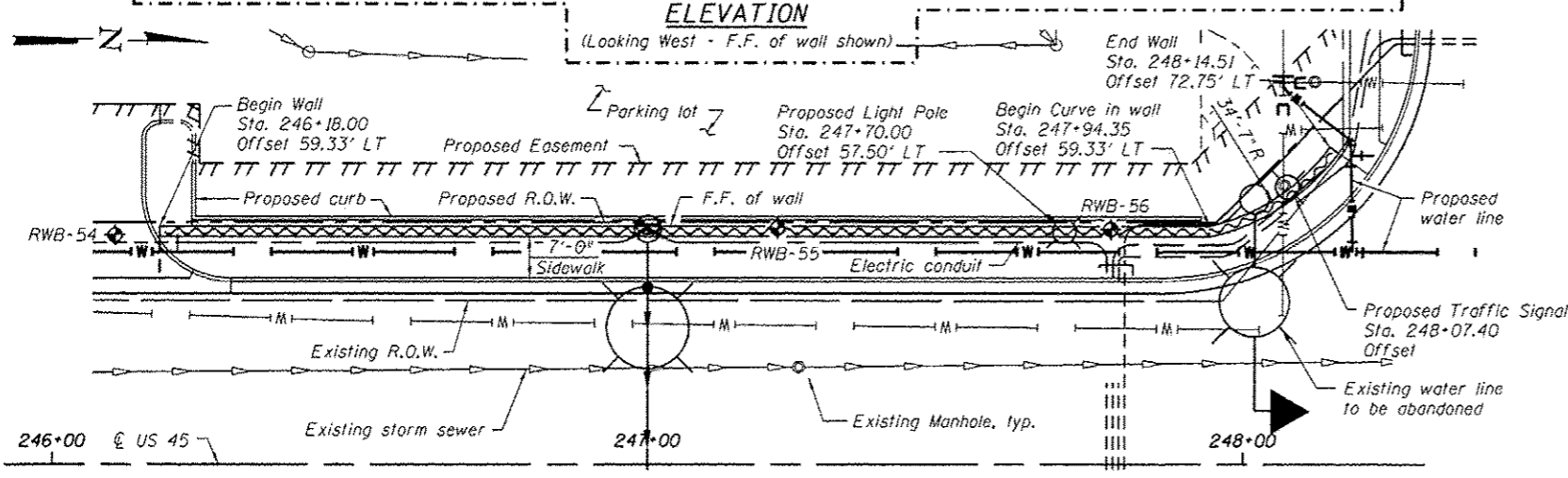


Bar	No.	Size	Length	Shape
d110(E)	8	#5	5'-6"	
d111(E)	7	#5	8'-3"	
h110(E)	10	#5	32'-11"	
h111(E)	10	#5	29'-8"	
h112(E)	10	#5	26'-0"	
h113(E)	10	#5	24'-4"	
v110(E)	234	#5	6'-1"	
u110(E)	218	#5	4'-10"	
Structure Excavation		Cu. Yd.	62	
Concrete Structures		Cu. Yd.	90.9	
Form Liner Textured Surface		Sq. Ft.	1,382	
Reinforcement Bars, Epoxy Coated		Pound	4,900	
Permanent Sheet Piling		Foot	4,344	
Ornamental Railing		Foot	202	

Bars indicated thus 3x2-#5 h110(E) etc. indicates 3 lines of bars with 2 lengths per line.



NOTES:
 Wall stations, offsets and dimensions are measured at front face of wall.
 All exposed corners shall have a 1" chamfer.
 For General Notes, Wall Key Plan and US 45 Profile, see Sheet 1.
 For Typical Wall Details and Ornamental Railing see Sheet 2.
 The details for the concrete cap, reinforcement and required number of shear stud connectors are based on Section AZ 18 sheet piling. If the Contractor chooses to use any other section, then the Contractor shall submit revised concrete cap and reinforcement configuration for approval by the Engineer. Such changes shall not be cause for additional compensation.

URS
 800 S. WACKER DR.
 SUITE 500
 CHICAGO, IL 60606
 TEL: (312) 999-0000
 FAX: (312) 999-0000

FILE NAME = DIG06M1-SHT-Wall-11-1.dgn	USER NAME = Patrick.Hannemann	DESIGNED - KMP	REVISED - 04/12/2013 K.M.P.	STATE OF ILLINOIS DEPARTMENT OF TRANSPORTATION	RETAINING WALL NO. 11 - S.N. 016-2037 STA. 246 + 18.00 TO 248 + 14.51	F.A.P. RFE. = 330	SECTION = 103R-4	COUNTY = COOK	TOTAL SHEETS = 877	SHEET NO. = 487
PLOT SCALE = 29.1667' = 1"	DRAWN - KMP	REVISOR -	REVISOR -			CONTRACT NO. 60M61				
PLOT DATE = 4/15/2013	CHECKED -	REVISOR -	REVISOR -			ILLINOIS FED. AID PROJECT				
						SHEET NO. 11 OF 42 SHEETS				