

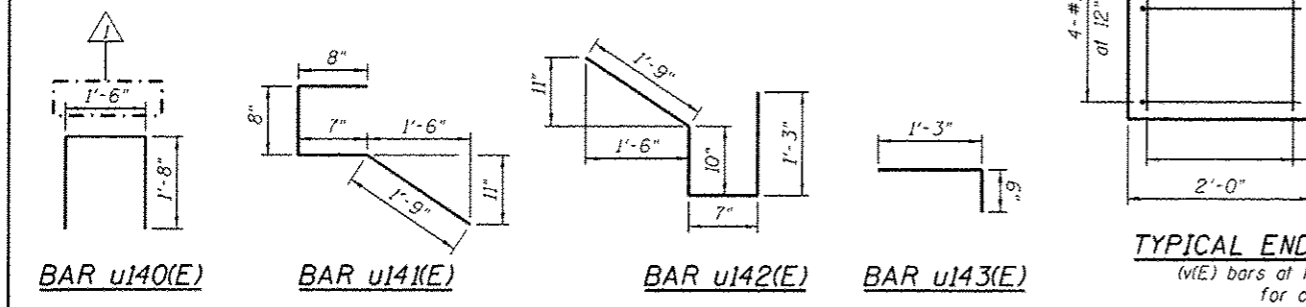
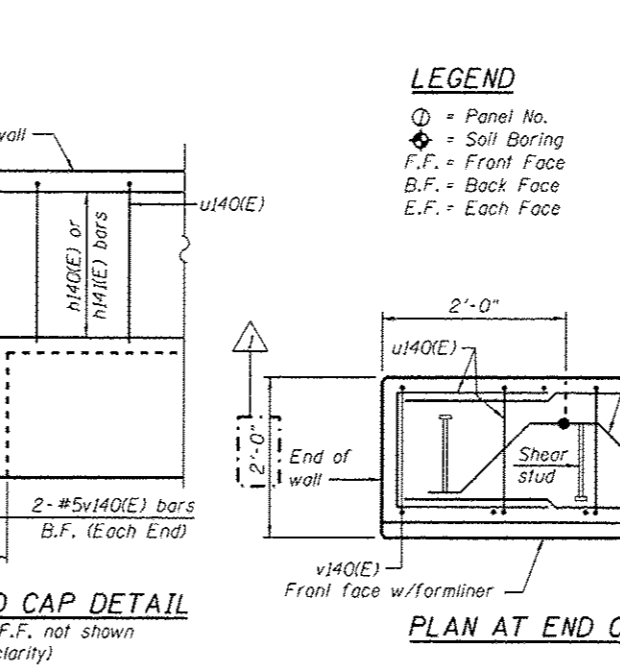
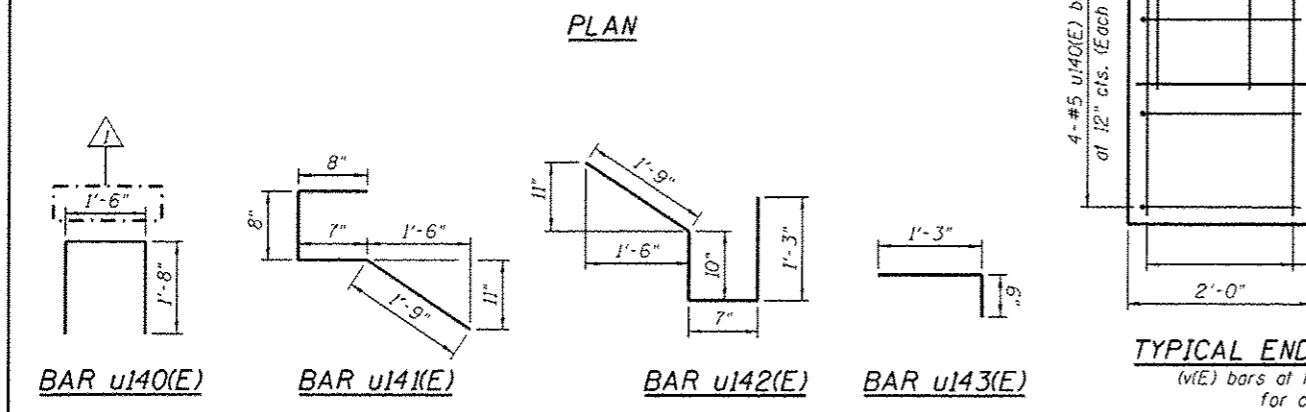
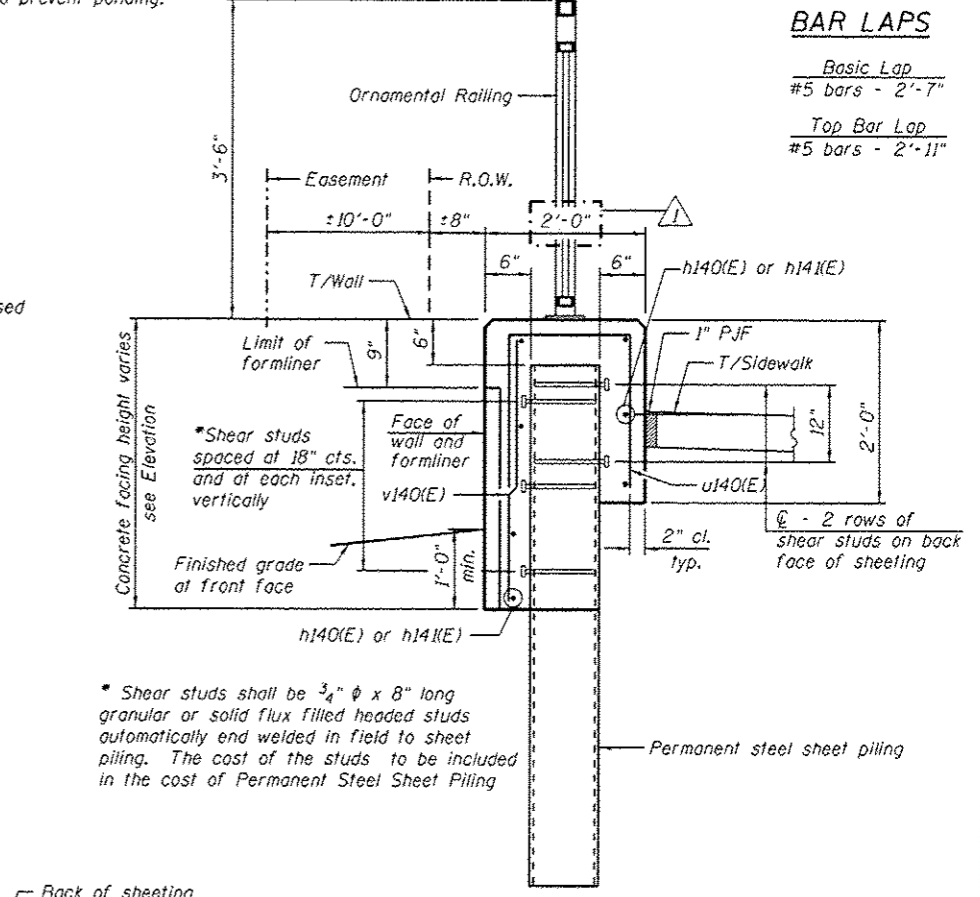
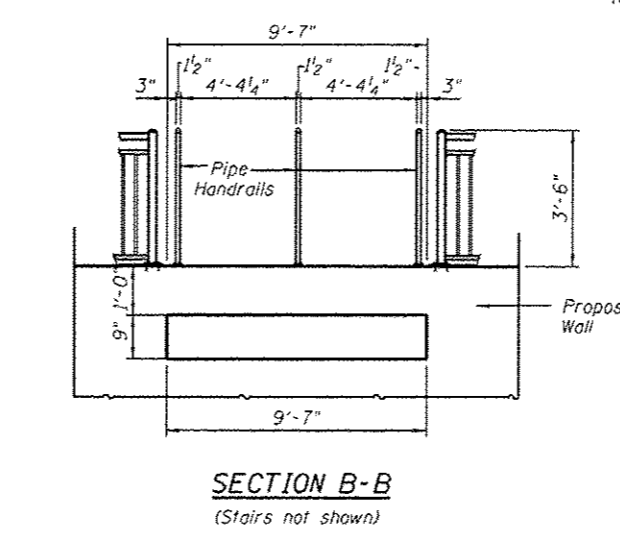
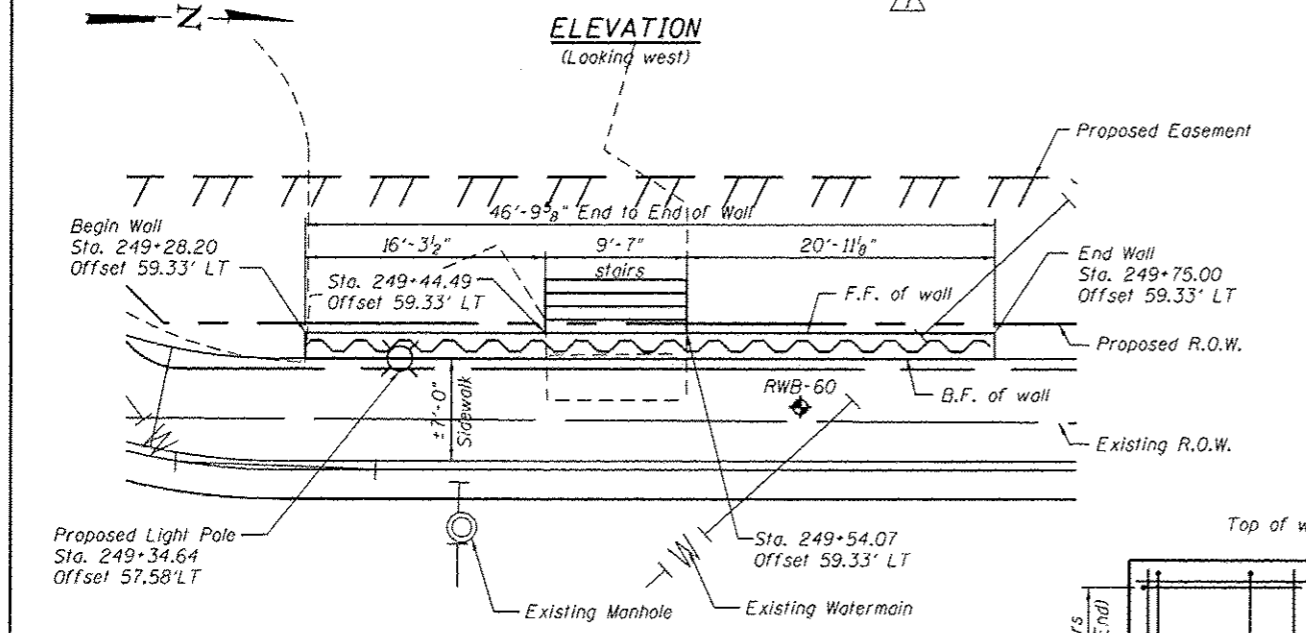
BILL OF MATERIAL

Bar	No.	Size	Length	Shape
h140(E)	7	#5	33'-8"	
h141(E)	7	#5	16'-6"	
h142(E)	12	#5	9'-3"	
h143(E)	10	#5	3'-5"	
u140(E)	55	#5	4'-10"	
u141(E)	10	#5	3'-8"	
u142(E)	10	#5	4'-5"	
u143(E)	10	#5	1'-9"	
v140(E)	47	#5	3'-4"	
Structure Excavation		Cu. Yd.	31	
Concrete Structures		Cu. Yd.	16.0	
Form Liner Textured Surface		Sq. Ft.	155	
Reinforcement Bars, Epoxy Coated		Pound	1,070	
Pipe Handrail		Foot	12	
Permanent Sheet Piling		Sq. Ft.	649	
Ornamental Railing		Foot	38	

BAR LAPS

Basic Lap
#5 bars - 2'-7"

Top Bar Lap
#5 bars - 2'-11"



LEGEND

① = Panel No.
 ◆ = Soil Boring
 F.F. = Front Face
 B.F. = Back Face
 E.F. = Each Face

NOTES:

Wall stations, offsets and dimensions are measured at front face of wall. All exposed corners shall have a 1" chamfer.

For General Notes, Wall Key Plan and US 45 Profile, see Sheet 1.

For Typical Wall Details and Ornamental Railing see Sheet 2.

The details for the concrete cap, reinforcement and required number of shear stud connectors are based on Section A2 18 sheet piling. If the Contractor chooses to use any other section, then the Contractor shall submit revised concrete cap and reinforcement configuration for approval by the Engineer. Such changes shall not be cause for additional compensation.