

**BILL OF MATERIAL**

Bar	No.	Size	Length	Shape
h150(E)	16	#5	32'-11"	—
h15(E)	8	#5	13'-2"	—
u150(E)	84	#5	4'-10"	⊓
v150(E)	78	#5	4'-3"	—
Structure Excavation			Cu. Yd.	16
Concrete Structures			Cu. Yd.	29.9
Form Liner Textured Surface			Sq. Ft.	307
Reinforcement Bars, Epoxy Coated			Pound	1430
Permanent Sheet Piling			Sq. Ft.	1362
Ornamental Railing			Foot	74

**NOTES:**

Wall stations, offsets and dimensions are measured at front face of wall. All exposed corners shall have a 1" chamfer.

For General Notes, Wall Key Plan and US 45 Profile, see Sheet 1. For Typical Wall Details and Ornamental Railing see Sheet 2.

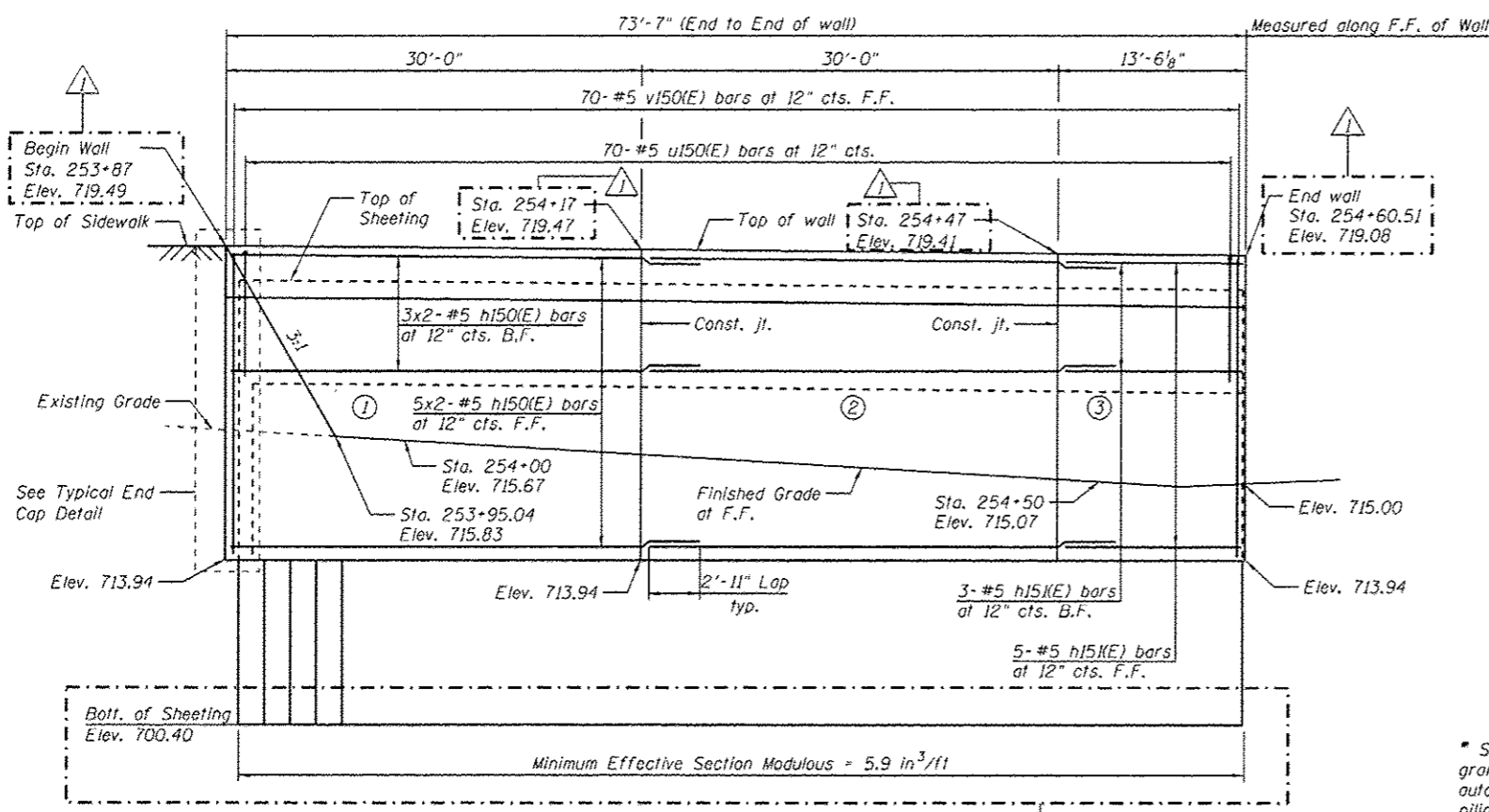
The details for the concrete cap, reinforcement and required number of shear stud connectors are based on Section AZ 1B sheet piling. If the Contractor chooses to use any other section, then the Contractor shall submit revised concrete cap and reinforcement configuration for approval by the Engineer. Such changes shall not be cause for additional compensation.

**BAR LAPS**

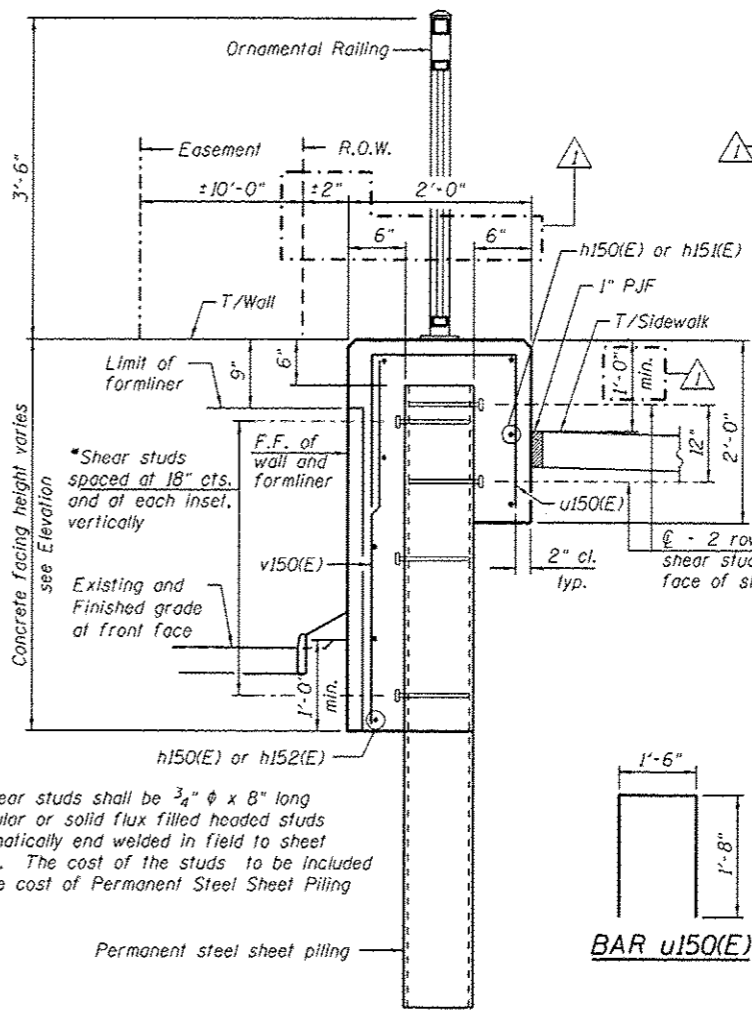
Basic Lap	Top Bar Lap
#5 bars - 2'-7"	#5 bars - 2'-11"

**LEGEND**

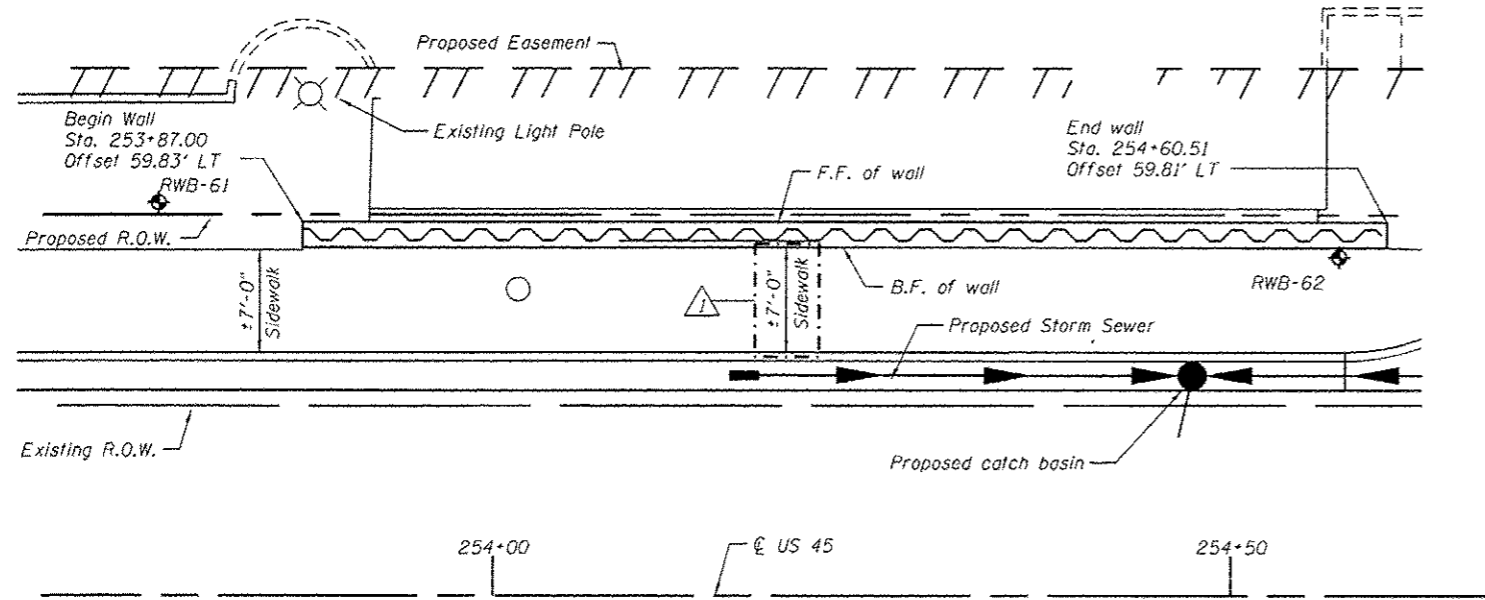
- ⊙ = Panel No.
- ⊕ = Soil Boring
- F.F. = Front Face
- B.F. = Back Face
- E.F. = Each Face



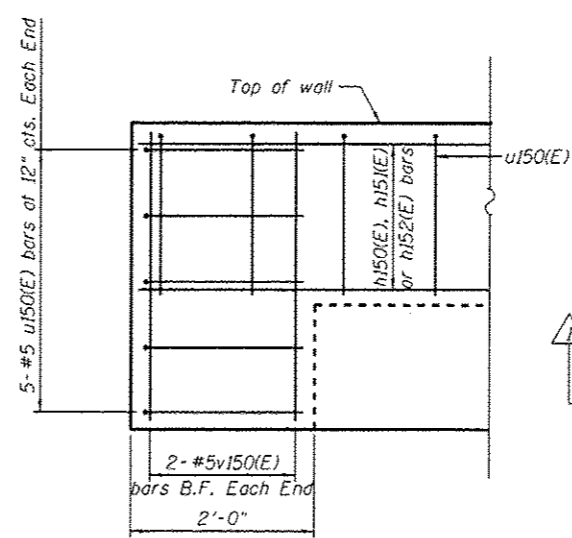
**ELEVATION**  
(Looking East at F.F. of wall)



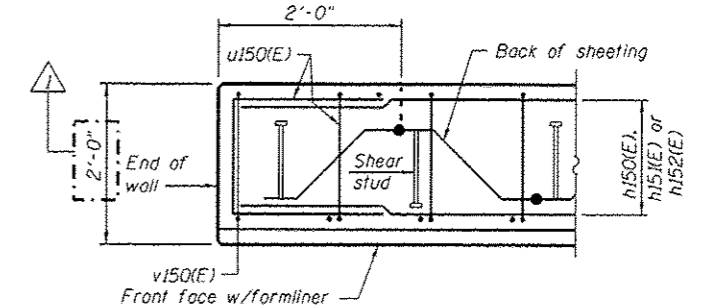
**TYPICAL SECTION THROUGH WALL**



**PLAN**



**TYPICAL END CAP DETAIL**  
(v(E) bars at F.F. not shown for clarity)



**PLAN AT END OF WALL**

URS  
 400 S. WACKER DR.  
 SUITE 500  
 CHICAGO, IL 60606  
 TEL 312/953-0000  
 FAX 312/953-4938

FILE NAME DIGMGT-SHT-Wall1.15-1.dgn	USER NAME Patrick.Hannemann	DESIGNED KMP	REVISED 04/12/2013 K.M.P.
		CHECKED KMP	REVISED
		DRAWN KMP	REVISED
		CHECKED	REVISED

**STATE OF ILLINOIS  
DEPARTMENT OF TRANSPORTATION**

**RETAINING WALL NO. 15 - S.N. 016-2041  
STA. 253 + 87.00 TO 254 + 60.51**

F.A.P. RTE. 330	SECTION 103R-4	COUNTY COOK	TOTAL SHEETS 877	SHEET NO. 490
CONTRACT NO. 60M61				ILLINOIS FED. AID PROJECT

SHEET NO. 14 OF 42 SHEETS