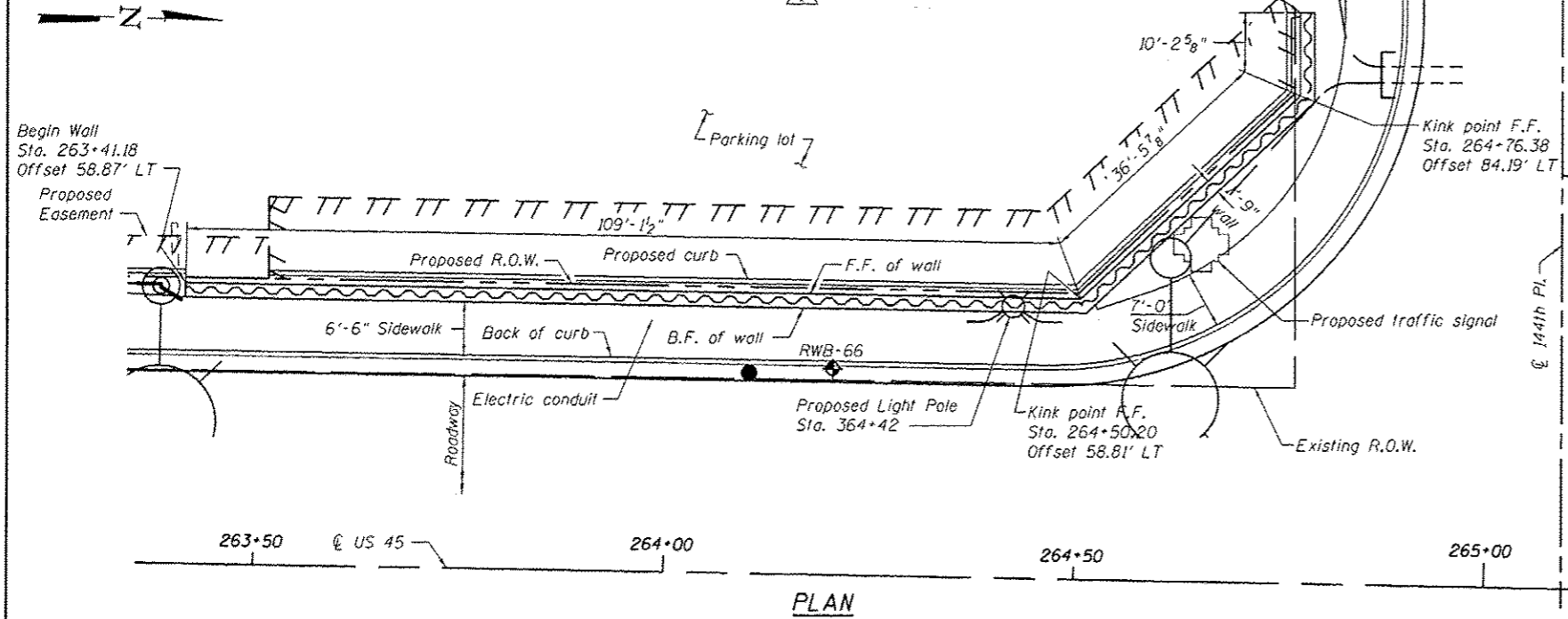


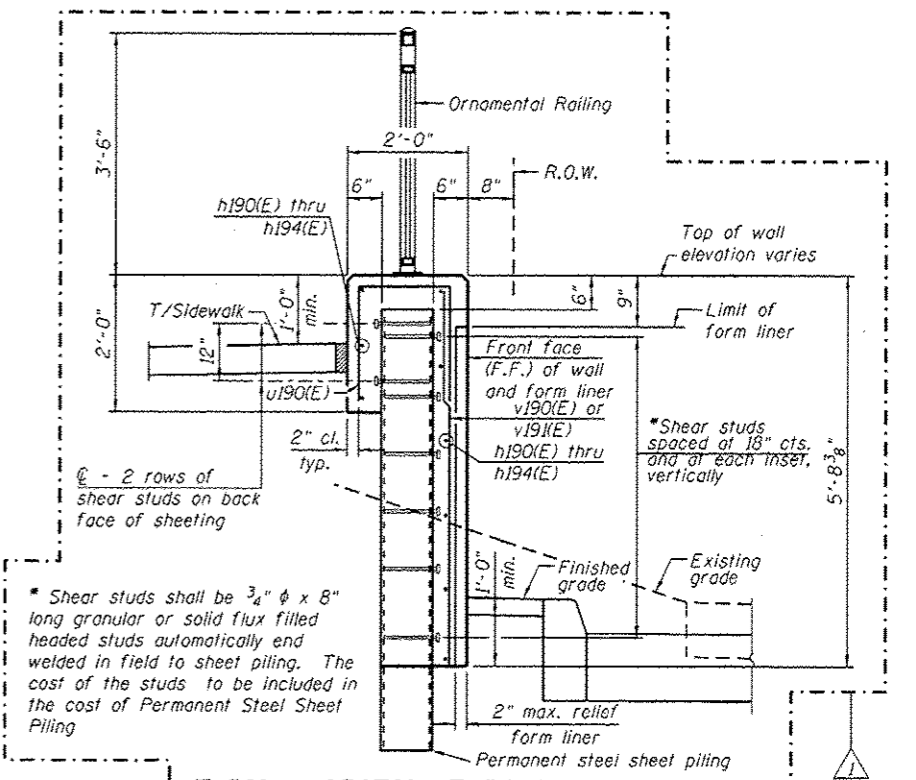
ELEVATION
(Looking West - F.F. of wall shown)

End Wall
Sta. 264+76.17
Offset 94.42' LT (US 45)
Sta. 177+30.00
Offset 32.04' RT (144th Pl.)

Minimum Effective Section Modulus = 4.8 in³/ft.



PLAN



TYPICAL SECTION THROUGH WALL

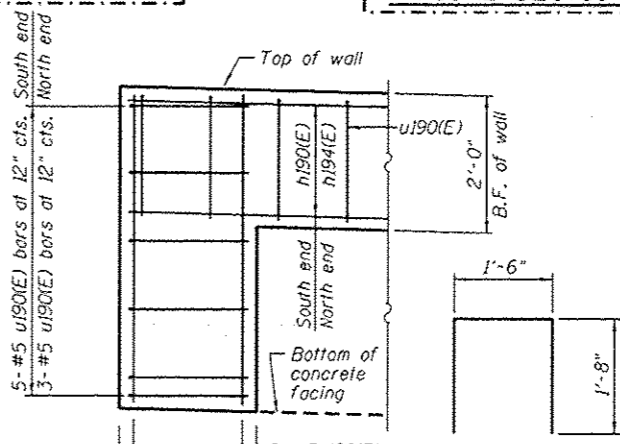
BILL OF MATERIAL

Bar	No.	Size	Length	Shape
h190(E)	16	#5	32'-11"	—
h191(E)	8	#5	29'-8"	—
h192(E)	8	#5	18'-9"	—
h193(E)	16	#5	20'-0"	—
h194(E)	7	#5	9'-10"	—
u190(E)	170	#5	4'-10"	□
v190(E)	152	#5	5'-4"	—
v191(E)	14	#5	4'-6"	—
Structure Excavation			Cu. Yd.	47
Concrete Structures			Cu. Yd.	64.5
Form Liner Textured Surface			Sq. Ft.	744
Reinforcement Bars, Epoxy Coated			Pound	3130
Permanent Steel Sheet Piling			Sq. Yd.	126.12
Ornamental Railing			Foot	156

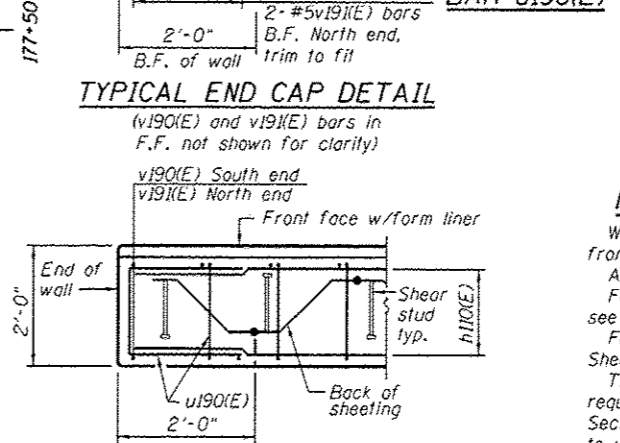
Bars indicated thus 5x2-#5 h190(E) etc., indicates 5 lines of bars with 2 lengths per line.

NOTES:

Wall stations, offsets and dimensions are measured at front face of wall.
All exposed corners shall have a 1" chamfer.
For General Notes, Wall Key Plan and US 45 Profile, see Sheet 1.
For Typical Wall Details and Ornamental Railing see Sheet 2.
The details for the concrete cap, reinforcement and required number of shear stud connectors are based on Section AZ 18 sheet piling. If the Contractor chooses to use any other section, then the Contractor shall submit revised concrete cap and reinforcement configuration for approval by the Engineer. Such changes shall not be cause for additional compensation.



TYPICAL END CAP DETAIL



PLAN AT END OF WALL

URS
500 S. WICKER DR.
SUITE 500
CHICAGO, IL 60606
TEL (312) 999-0000
FAX (312) 999-4638

FILE NAME : D:\60601-SHT-Wall-19-1.dgn	USER NAME : Patrick.Mannemann	DESIGNED - KMP	REVISED - 04/12/2013 K.M.P.
PLOT SCALE : 20.000000 / 1"	DRAWN - KMP	CHECKED -	REVISED -
PLOT DATE : 4/15/2013	CHECKED -	REVISED -	REVISED -

STATE OF ILLINOIS
DEPARTMENT OF TRANSPORTATION

RETAINING WALL NO. 19 - S.N. 016-2045
STA. 263+41.18 TO 264+76.16

F.A.P. R.T.E. 330	SECTION 103R-4	COUNTY COOK	TOTAL SHEETS 877	SHEET NO. 494
CONTRACT NO. 60M61				ILLINOIS FED. AID PROJECT

SHEET NO. 18 OF 42 SHEETS