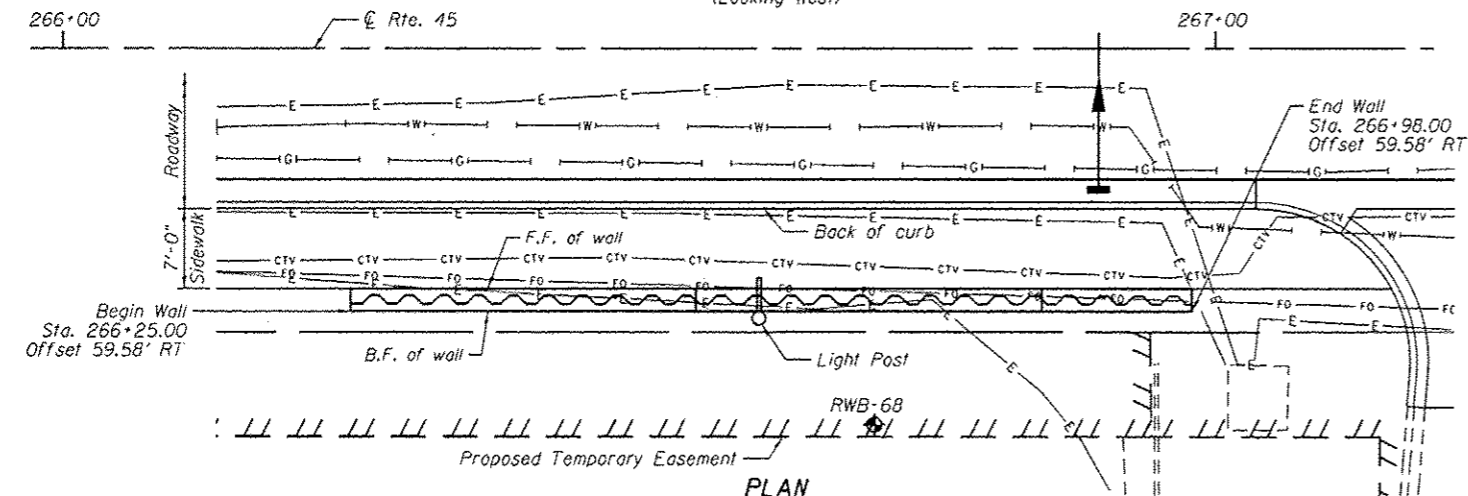
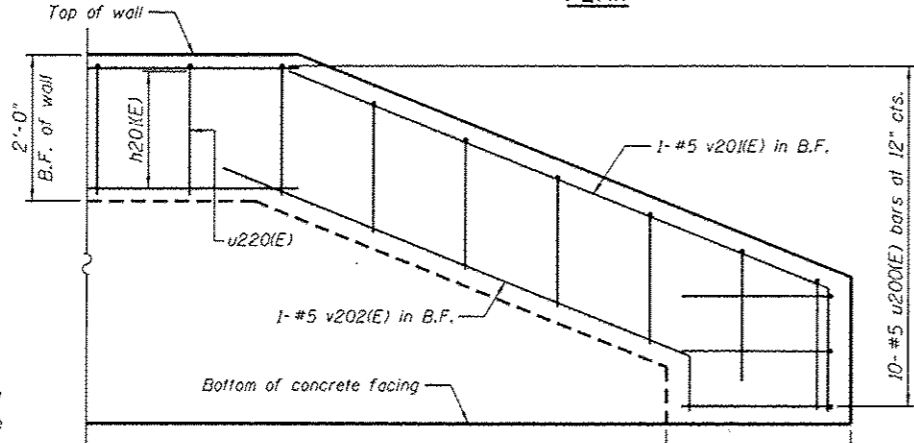


ELEVATION
(Looking West)



PLAN

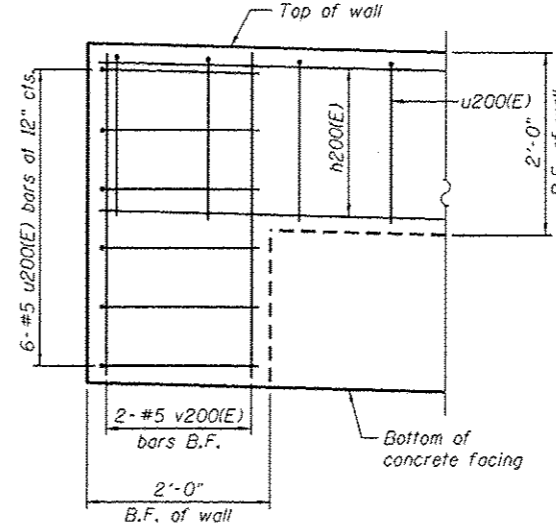


END CAP DETAIL 2

(v200(E) bars in F.F. not shown for clarity)

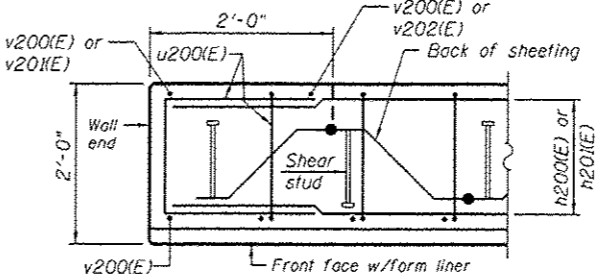
NOTES:

1. Wall stations, offsets and dimensions are measured at front face of wall.
2. All exposed corners shall have a 1" chamfer.
3. For General Notes, Wall Key Plan and US 45 Profile, see Sheet 1.
4. For Typical Wall Details, Ornamental Railing, and Lighting Details see Sheet 2.

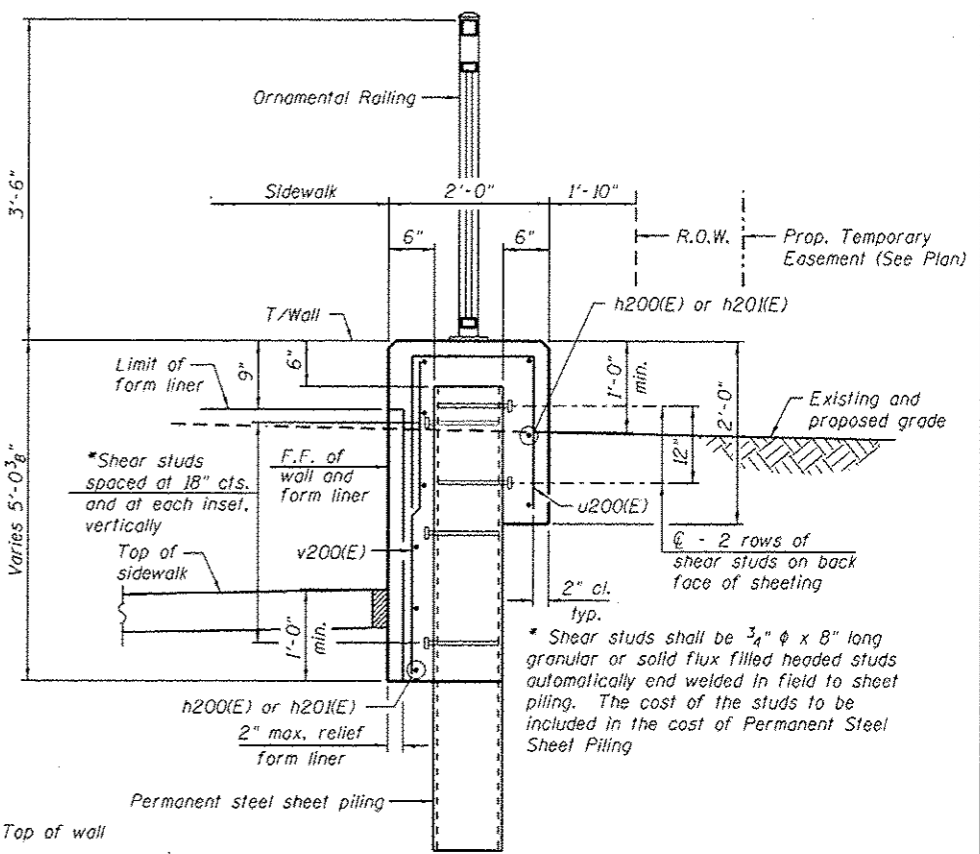


END CAP DETAIL 1

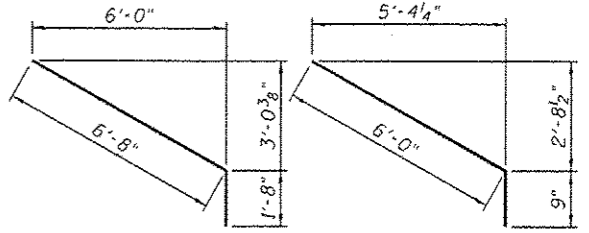
(v200(E) bars in F.F. not shown for clarity)



PLAN AT END OF WALL



TYPICAL SECTION THROUGH WALL



BAR v200(E)

BAR v202(E)

BILL OF MATERIAL

Bar	No.	Size	Length	Shape
h200(E)	18	#5	32'-11"	—
h202(E)	9	#5	12'-8"	—
u200(E)	84	#5	4'-10"	□
v200(E)	75	#5	4'-8"	—
v202(E)	1	#5	6'-8"	—
v202(E)	1	#5	6'-9"	—
Structure Excavation			Cu. Yd.	66
Concrete Structures			Cu. Yd.	22.8
Form Liner Textured Surface			Sq. Ft.	304
Reinforcement Bars, Epoxy Coated			Pound	1540
Permanent Sheet Piling			Sq. Ft.	1175
Ornamental Railing			Foot	73

Bars indicated thus 9x2-#5 etc. Indicates 9 lines of bars with 2 lengths per line.

BAR LAPS

- Basic Lap
- #5 bars - 2'-7"
- Top Bar Lap
- #5 bars - 2'-11"

LEGEND:

- ① - Panel No.
- ⊕ - Soil Boring
- F.F. - Front Face
- B.F. - Back Face
- E.F. - Each Face

URS
100 S. WACKER DR.
SUITE 500
CHICAGO, IL 60606
TEL (312) 998-0000
FAX (312) 998-0000

FILE NAME =	USER NAME = Patrich.Hannemann	DESIGNED - KMP	REVISED - 04/12/2013 K.M.P.
DIGM61-SHT-Wall.28-1.dgn		CHECKED -	REVISED -
		DRAWN - KMP	REVISED -
		CHECKED -	REVISED -
			Entire sheet revised

STATE OF ILLINOIS
DEPARTMENT OF TRANSPORTATION

RETAINING WALL NO. 20 - S.N. 016-2046
STA. 266 + 25.00 TO 266 + 98.00

SHEET NO. 19 OF 42 SHEETS

F.A.P. RTE.	SECTION	COUNTY	TOTAL SHEETS	SHEET NO.
330	103R-4	COOK	877	495
			CONTRACT NO. 60M61	
ILLINOIS FED. AID PROJECT				