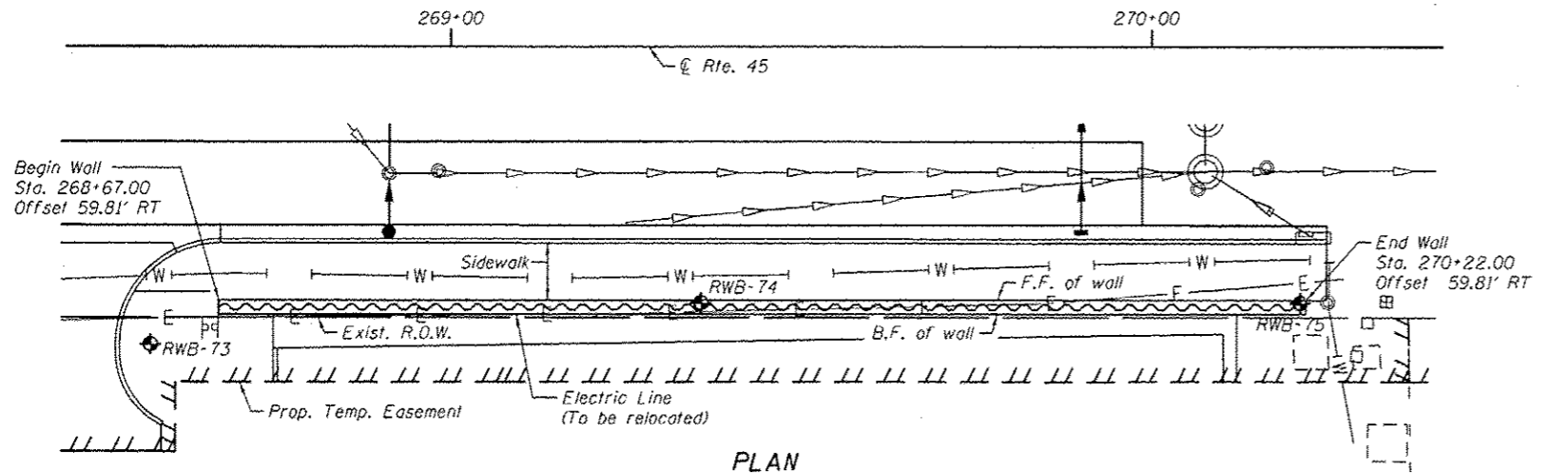
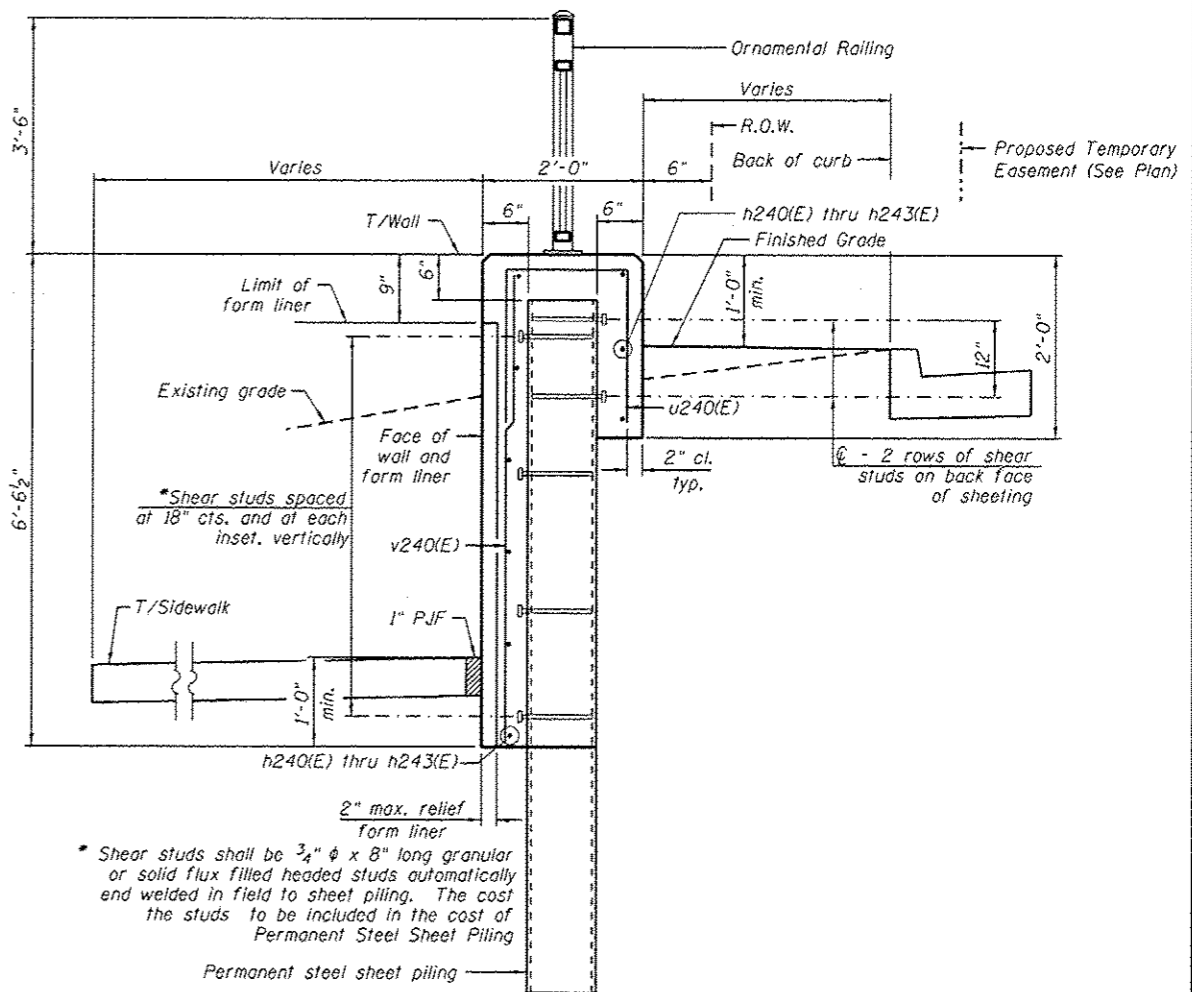


ELEVATION
(Looking West)



PLAN



TYPICAL SECTION THROUGH WALL

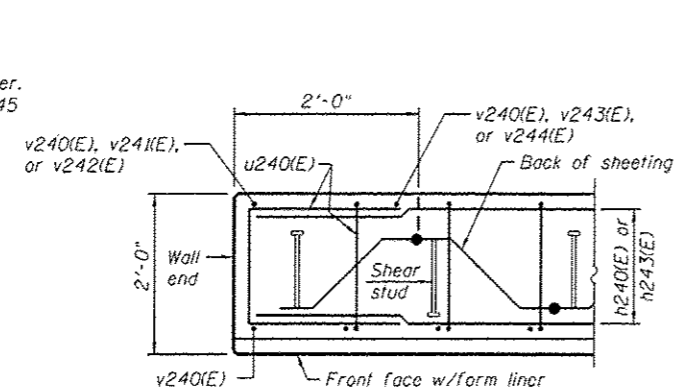
NOTES:
 Wall stations, offsets and dimensions are measured at front face of wall.
 All exposed corners shall have a 1" chamfer.
 For General Notes, Wall Key Plan and US 45 Profile, see Sheet 1.
 For Typical Wall Details and Ornamental Railing see Sheet 2.

LEGEND

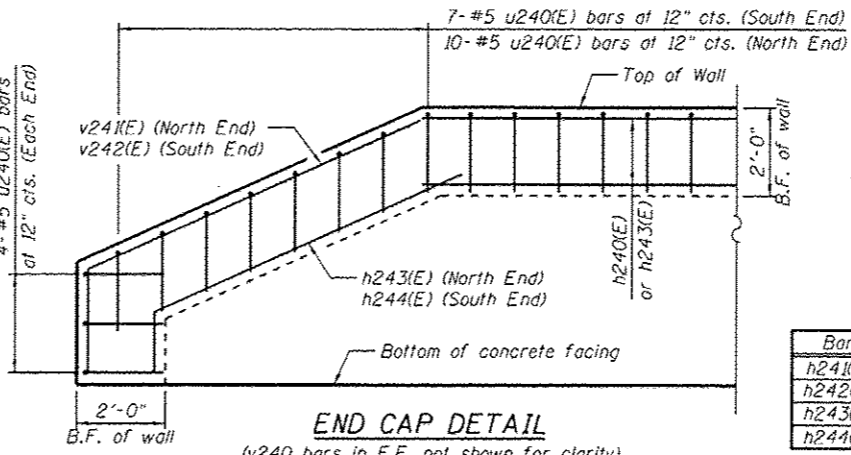
- ① - Panel No.
- ⊕ - Soil Boring
- F.F. - Front Face
- B.F. - Back Face
- E.F. - Each Face

BAR LAPS

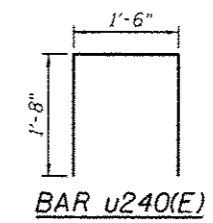
- Basic Lap
- #5 bars - 2'-7"
- Top Bar Lap
- #5 bars - 2'-11"



PLAN AT END OF WALL



END CAP DETAIL



BAR u240(E)

Bar	A	B	C	D
h241(E)	1'-7"	4'-5 1/8"	9'-7 1/4"	10'-7"
h242(E)	2'-4"	3'-5 1/8"	7'-7 1/8"	8'-4"
h243(E)	8"	4'-2 1/2"	9'-0"	10'-0"
h244(E)	1'-5"	3'-3 1/2"	7'-3 1/2"	8'-0"

BILL OF MATERIAL

Bar	No.	Size	Length	Shape
h240(E)	20	#5	32'-11"	—
h241(E)	10	#5	29'-8"	—
h242(E)	20	#5	24'-7"	—
h243(E)	10	#5	21'-4"	—
u240(E)	163	#5	4'-7"	□
v240(E)	156	#5	6'-2"	—
v241(E)	1	#5	12'-2"	—
v242(E)	1	#5	10'-8"	—
v243(E)	1	#5	10'-8"	—
v244(E)	1	#5	9'-5"	—

Structure Excavation	Cu. Yd.	73
Concrete Structures	Cu. Yd.	67.3
Form Liner Textured Surface	Sq. Ft.	958
Reinforcement Bars, Epoxy Coated	Pound	3,560
Permanent Sheet Piling	Sq. Ft.	3,408
Ornamental Railing	Foot	155

Bars indicated thus 10x2-#5 etc. indicates 10 lines of bars with 2 lengths per line.

URS
 100 S. WACKER DR.
 SUITE 500
 CHICAGO, IL 60606
 TEL: (312) 866-0000
 FAX: (312) 866-0000

FILE NAME =	USER NAME = Patrick.Hannemann	DESIGNED = KMP	REVISED = / 04/12/2013 K.M.P.
0108PM1-SHT-Wall-24-1.dgn		CHECKED =	REVISED =
		DRAWN = KMP	REVISED =
		CHECKED =	REVISED =

STATE OF ILLINOIS
DEPARTMENT OF TRANSPORTATION

RETAINING WALL NO. 24 - S.N. 016-2050
STA. 268 + 67.00 TO 270 + 22.00

SHEET NO. 23 OF 42 SHEETS

F.A.P. RTE.	SECTION	COUNTY	TOTAL SHEETS	SHEET NO.
330	103R-4	COOK	877	499
				CONTRACT NO. 60M61
ILLINOIS FED. AID PROJECT				