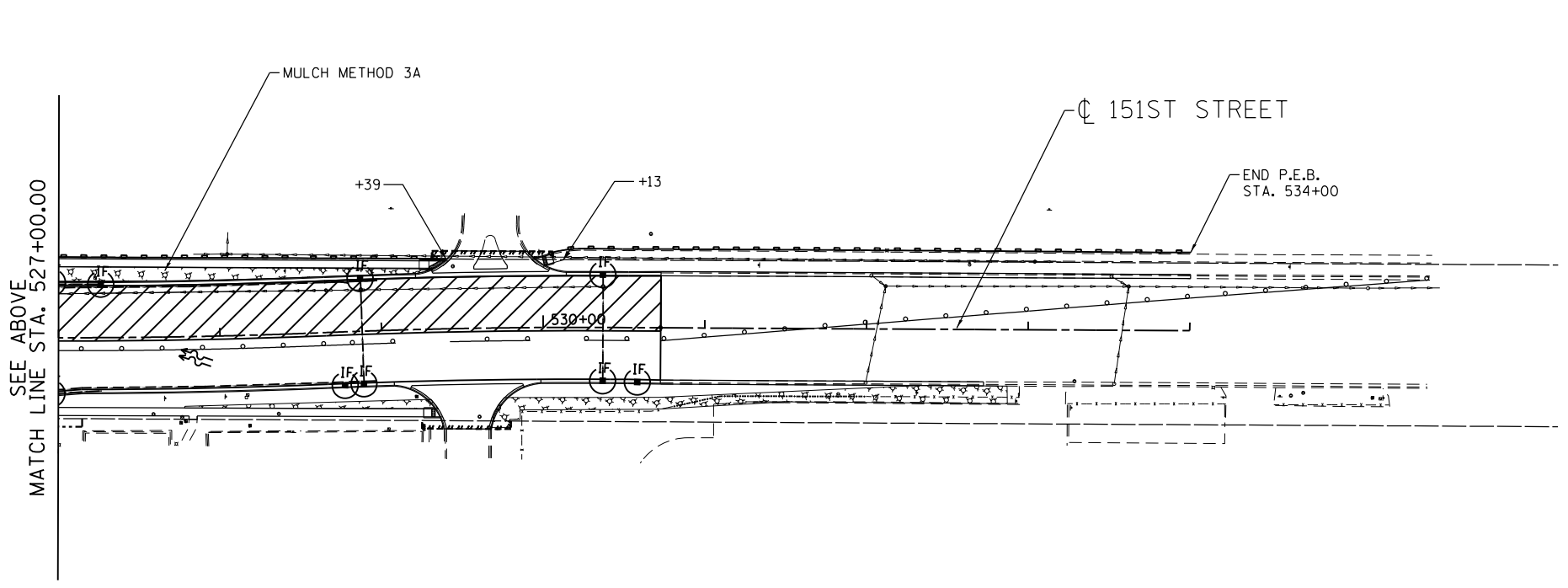


NOTE: SEE SHEET ER-01 FOR LEGEND AND NOTES.



NOTE: SEE SHEET ER-01 FOR LEGEND AND NOTES.

**APEX**  
 CONSULTING ENGINEERS, LLC  
 111 E. Wecker Drive, Suite 520  
 Chicago, IL 60661

FILE NAME =  
D160M61-SHT-ER0527.dgn

USER NAME = Frank.Stallone  
 DESIGNED - L.N.  
 DRAWN - M.P.  
 PLOT SCALE = 100.000000' / 1" =  
 PLOT DATE = 3/15/2013

CHECKED - W.H.I.  
 DATE - 03/13/2013

REVISED -  
 REVISED -  
 REVISED -  
 REVISED -

**STATE OF ILLINOIS  
 DEPARTMENT OF TRANSPORTATION**

**EROSION AND SEDIMENT CONTROL PLAN - MIDDLE CONTRACT  
 STAGE B - 151ST STREET**

SCALE: 1"=50' SHEET NO. 1 OF 1 SHEETS STA. TO STA.

F.A.P. RTE.	SECTION	COUNTY	TOTAL SHEETS	SHEET NO.
330	103R-4	COOK	877	152
<b>ER-27</b>			<b>CONTRACT NO. 60M61</b>	
ILLINOIS FED. AID PROJECT				